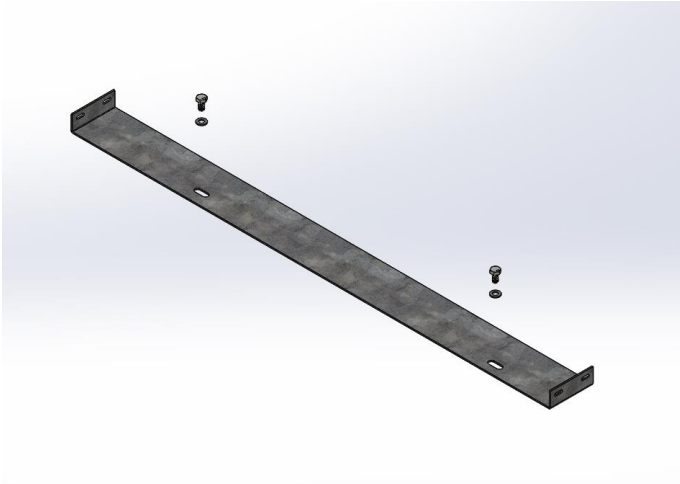
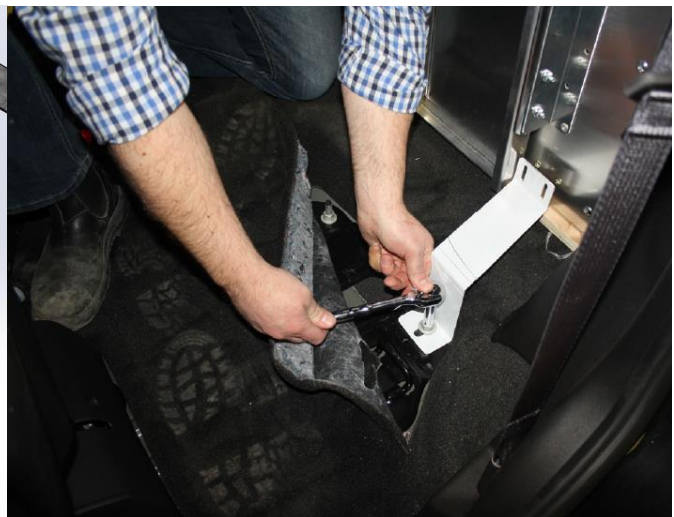
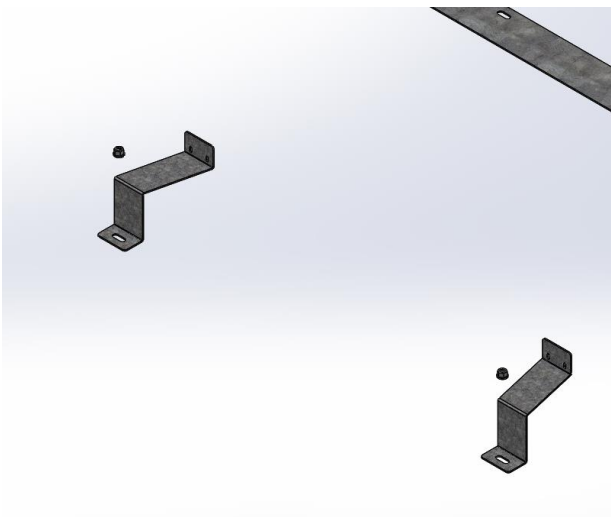


Fastening Drawer Unit to Chevy Tahoe PPV

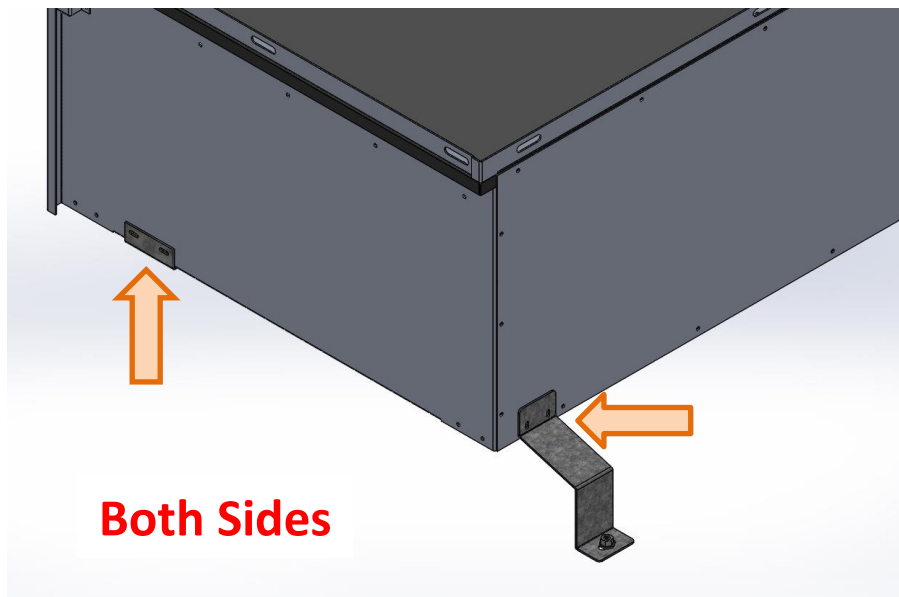
1. Install Bracket at rear hatch using the provided M10 bolts and washers to the factory threaded mounting points.



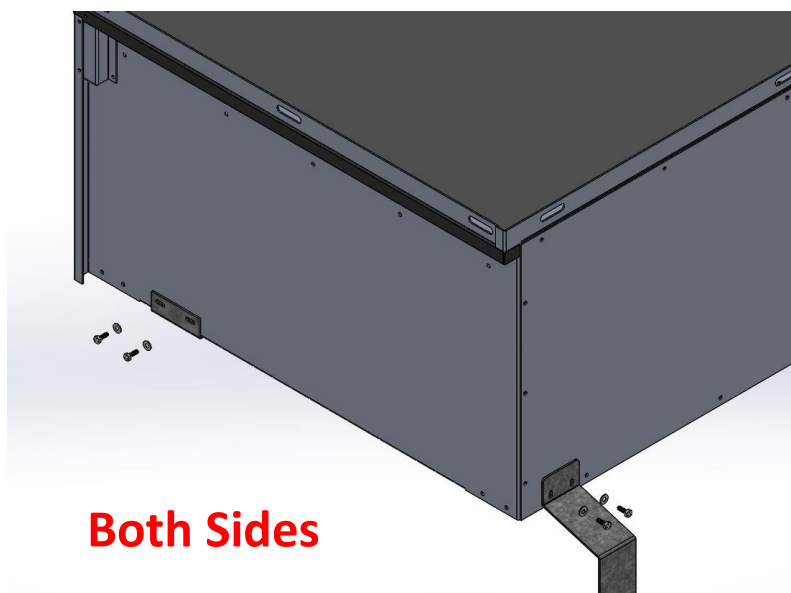
2. Install the front brackets to the existing outer seat bracket studs. Reinstall the factory nut over top of the front brackets.



3. Place the storage unit in the vehicle cargo space, lining up the mounting points with the previously installed brackets.



4. Secure the storage unit to the brackets with the provided $\frac{1}{4}$ " bolts and washers.



5. Ensure all mounting hardware is tight.