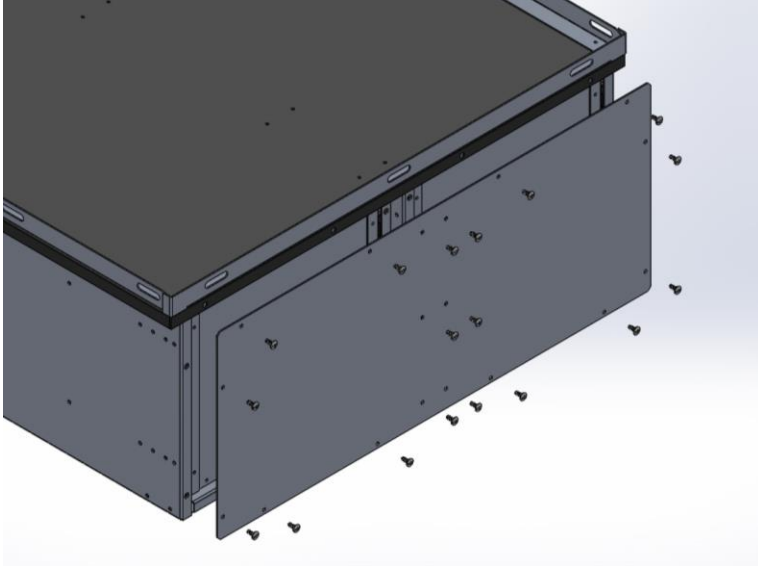
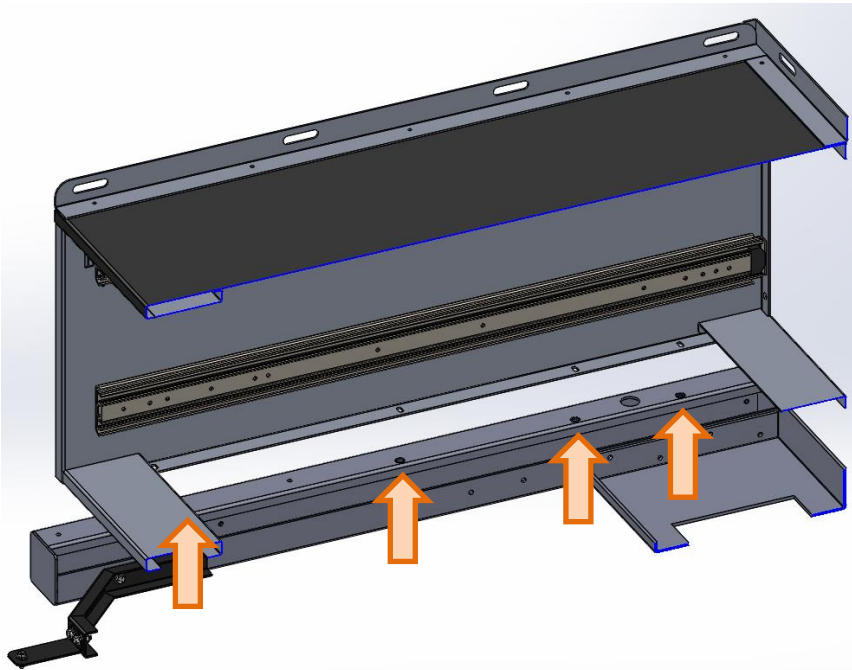


**STEP 1** Remove the bolts from the back of the unit, and remove the back panel. *(If the unit has detachable slides, the drawer(s) can be removed from the front of the unit instead of the back panel.)*



**STEP 2** Place drawer unit on previously installed base, and align mounting holes in the cabinet with  $\frac{1}{4}$ " threaded inserts in the base, number of mounting points depends on unit size. (Extend drawers if back panel removed for access to mounting holes)



**STEP 3** Mount the drawer unit to the base using the provided  $\frac{1}{4}$ " hardware; 1x bolt, 1x washer.

**STEP 4** Reinstall back panel (or drawers).