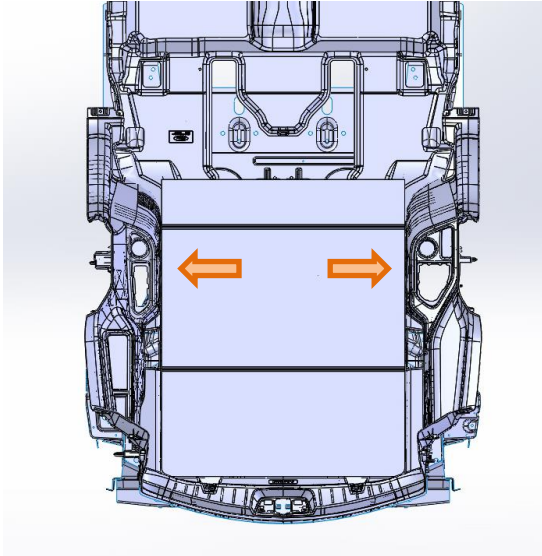
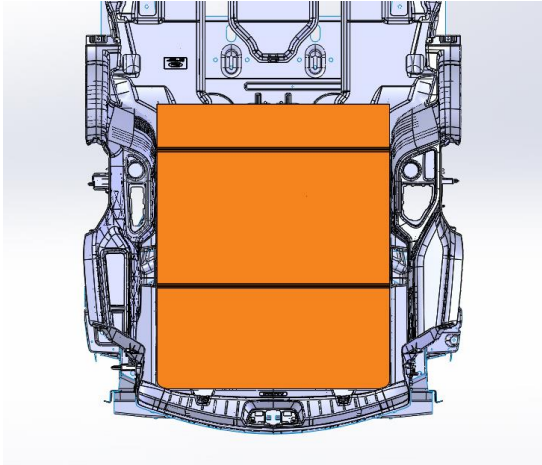


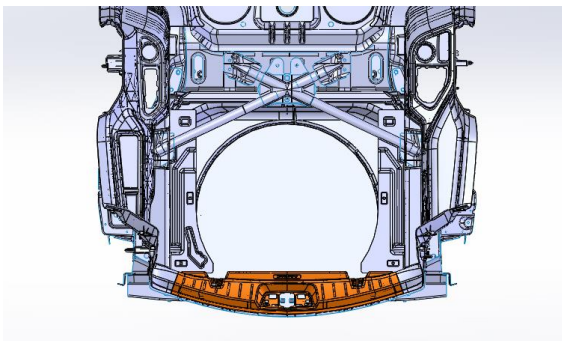
**STEP 1** Remove two (2) M8 bolts securing the cargo floor from behind the rear seats, set these aside for later use.



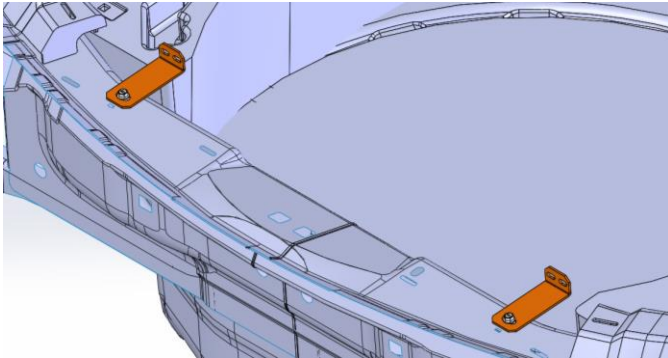
**STEP 2** Remove cargo area covers.



**STEP 3** Remove the lower lip of the rear hatch. There are two (2) M6 bolts securing tie-down hooks on the rear sill, set these aside for later use.

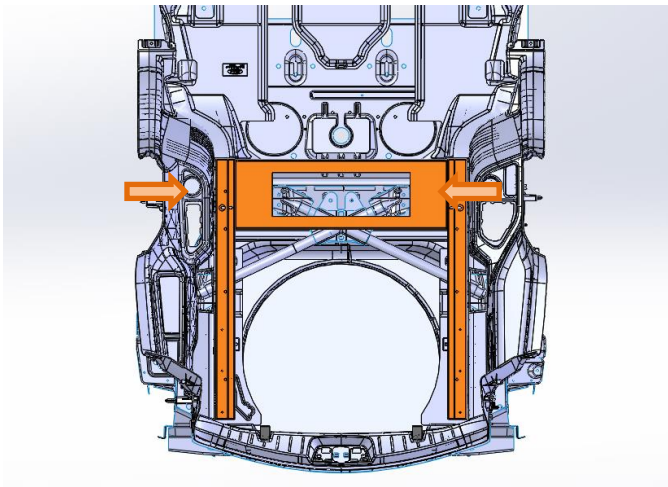


**STEP 4** Install the rear mounting brackets using the two (2) M6 bolts from **STEP 3** in the same location as the tie-downs had been.



**STEP 5** Reinstall the lower lip of the rear hatch overtop of the brackets. (Some trimming of the plastic lip may be required)

**STEP 6** Place the aluminum base into the cargo area, aligning the forward mounting points with the bolt holes from **STEP 1**.



**STEP 7** Reinstall the two (2) M8 bolts from **STEP 1** through the access holes in the base, back into their original locations.

**STEP 8** Connect the rear brackets from **STEP 4** to the aluminum base using the provided ¼" hardware, with each bolt use; 2x washers, 1x Nylock nut.

