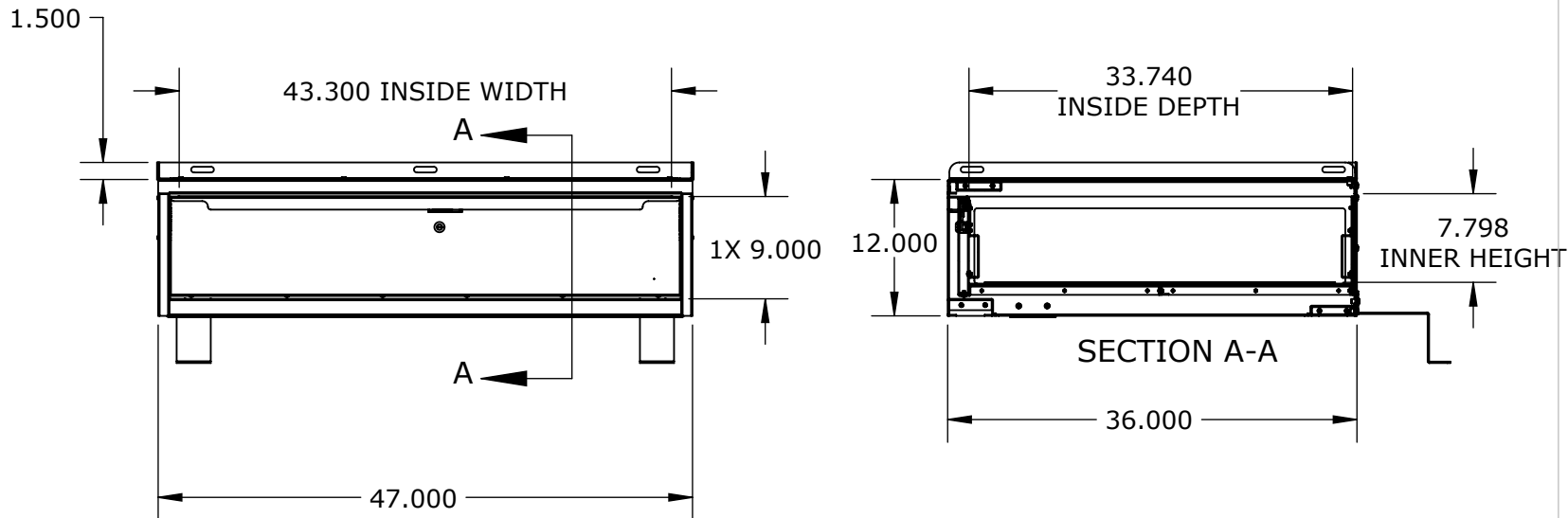
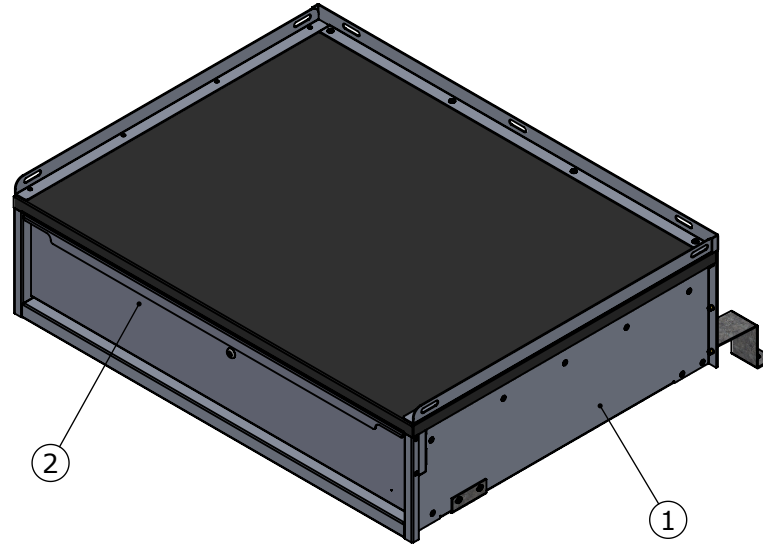


NOTES

- ALUMINUM CONSTRUCTION
- CABINET
 - ANTI-SKID LINER ON TOP
 - PLUS 1.5" CARGO RAIL AROUND SIDES AND BACK
 - MOUNTING BRACKETS INCLUDED
- DRAWER
 - KEY LOCKING
 - 500LBS DRAWER SLIDES
 - RUBBER MAT (OPTIONAL)
 - TWO FRONT TO BACK DIVIDERS (OPTIONAL)



PH:(613)530.3419
FAX:(613)546.5489

DESCRIPTION
SINGLE DRAWER SERIES

PART NO.
CTU-124736-100

	NAME	DATE
DRAWN	BK	Jul 14, 2017
CHECKED	VS	Jul 14, 2017

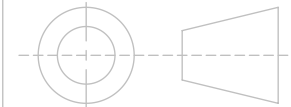
RELEASED TO PRODUCTION

PROPERTIES

MATERIAL:	N/A
THICKNESS:	N/A
FINISH	NONE
WEIGHT:	123.616 LB

TOLERANCES UNLESS OTHERWISE SPECIFIED:

X.X	± 0.025
X.XX	± 0.010
X.XXX	± 0.005



DO NOT SCALE DRAWING

PROPRIETARY AND CONFIDENTIAL
THE INFORMATION CONTAINED IN THIS DRAWING IS THE SOLE PROPERTY OF EZSTAK LLC. ANY REPRODUCTION IN PART OR AS A WHOLE WITHOUT THE WRITTEN PERMISSION OF EZSTAK LLC IS PROHIBITED.

SIZE **A** REV **05**

SCALE: 1:16 SHEET 1 OF 1

UNIT: IPS

Deburr All Edges

ITEM NO.	PART NUMBER	DESCRIPTION	Default/QTY.	Revision
1	1002093	CABINET ASSEMBLY	1	04
2	1002072	DRAWER ASSEMBLY- 9.0"H	1	04