

NOTES:

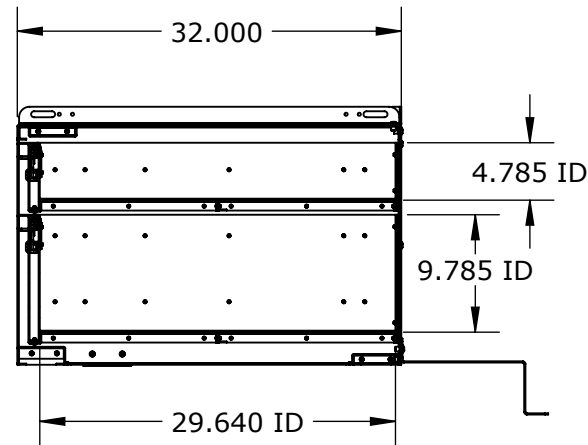
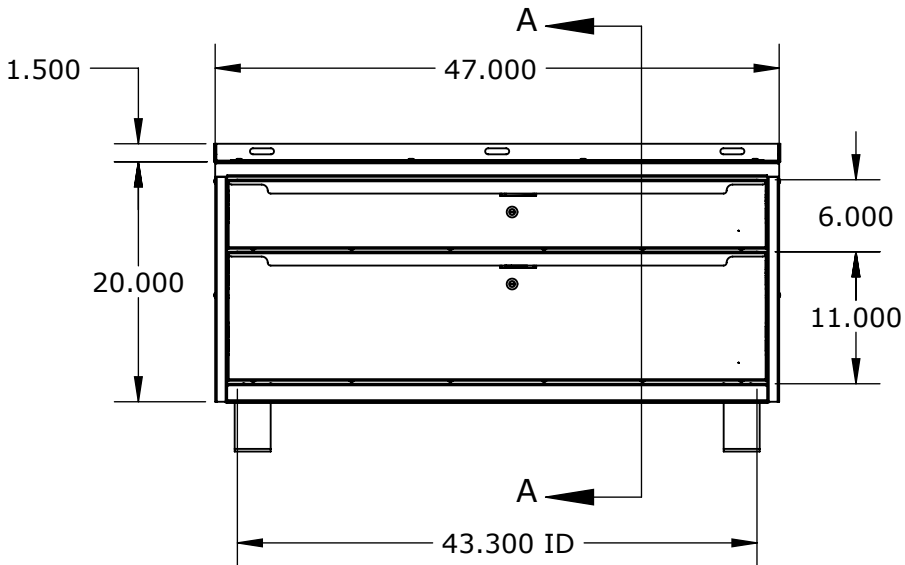
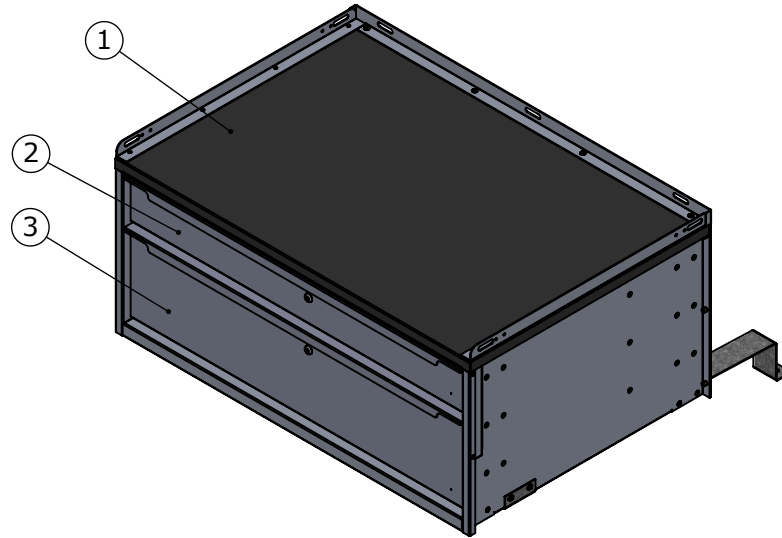
- ALUMINUM CONSTRUCTION
- CABINET:**
- TUX BLACK TEXTURE ON TOP
- PLUS 1.5" CARGO RAIL AROUND SIDES AND BACK
- STANDARD MOUNTING BRACKETS FOR TAHOE

TOP DRAWER:

- STANDARD KEY LOCK
- 500LBS DRAWER SLIDES, NON-DETACHABLE
- RUBBER MATTING (OPTIONAL)

BOTTOM DRAWER:

- STANDARD KEY LOCK
- 2X 500LBS DRAWER SLIDES, NON-DETACHABLE
- RUBBER MATTING (OPTIONAL)



SECTION A-A

ITEM NO.	PART NO.	DESCRIPTION	Default/QTY.	Revision
1	1184658	CABINET ASSEMBLY	1	-
2	1184649	DRAWER ASSEMBLY - 6"H	1	-
3	1184637	DRAWER ASSEMBLY - 11"H	1	-



PH:(613)530.3419
FAX:(613)546.5489

DESCRIPTION

STACKED DRAWER SERIES

PART NO.

CTU-204732-200

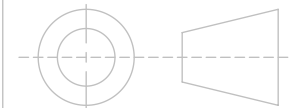
	NAME	DATE
DRAWN	VS	Mar 22, 2018
CHECKED	DDR	Mar 22, 2018
RELEASED TO PRODUCTION		

PROPERTIES

MATERIAL: ALUMINIUM
THICKNESS:
FINISH: NONE
WEIGHT: 175.601 LB

TOLERANCES UNLESS OTHERWISE SPECIFIED:

X.X ± 0.025
X.XX ± 0.010
X.XXX ± 0.005



DO NOT SCALE DRAWING

PROPRIETARY AND CONFIDENTIAL

THE INFORMATION CONTAINED IN THIS DRAWING IS THE SOLE PROPERTY OF EZSTAK LLC. ANY REPRODUCTION IN PART OR AS A WHOLE WITHOUT THE WRITTEN PERMISSION OF EZSTAK LLC IS PROHIBITED.

SIZE: **A** REV: -

SCALE: 1:16 SHEET 1 OF 1

UNIT: IPS

Deburr All Edges