

**NOTES**

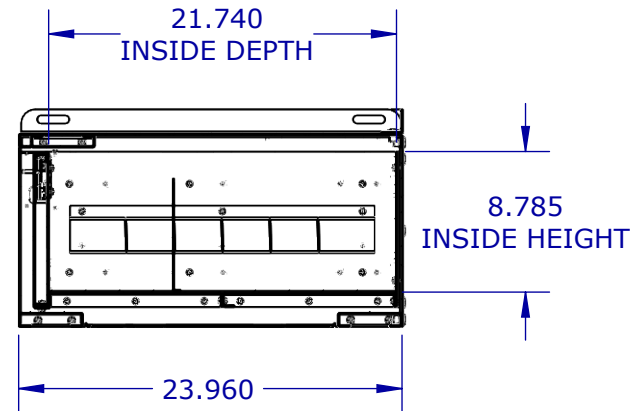
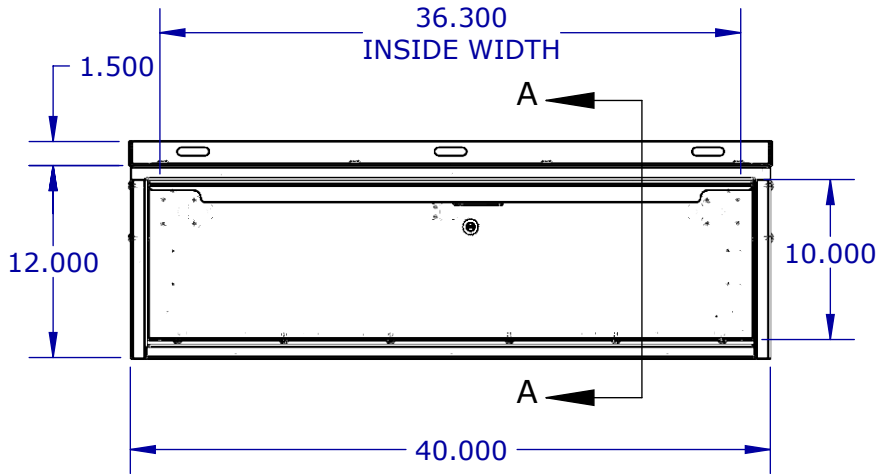
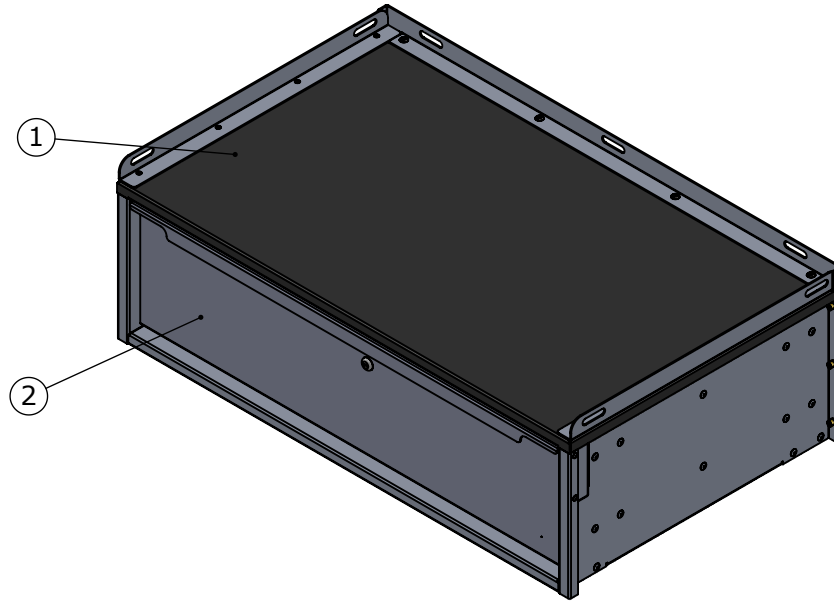
- ALUMINUM CONSTRUCTION

**CABINET**

- ANTI-SKID LINER ON TOP
- 1.5" CARGO RAIL AROUND SIDES AND BACK

**DRAWER**

- KEY LOCKING
- 2X 200LBS DRAWER SLIDES
- 1 SIDE TO SIDE DIVIDER (OPTIONAL)
- RUBBER MATTING (OPTINOAL)



SECTION A-A



PH:(613)530.3419  
FAX:(613)546.5489

**DESCRIPTION**

**FIU SINGLE DRAWER SERIES**

**PART NO.**

**FIU-124024-001**

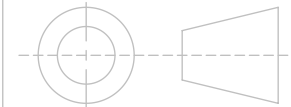
	NAME	DATE
DRAWN	VS	Jan 15, 2018
CHECKED	DDR	Jan 16, 2018
<b>RELEASED TO PRODUCTION</b>		

**PROPERTIES**

MATERIAL: N/A  
THICKNESS: N/A  
FINISH: NONE  
WEIGHT: 80.960 LB

TOLERANCES UNLESS OTHERWISE SPECIFIED:

X.X ± 0.025  
X.XX ± 0.010  
X.XXX ± 0.005



DO NOT SCALE DRAWING

**PROPRIETARY AND CONFIDENTIAL**

THE INFORMATION CONTAINED IN THIS DRAWING IS THE SOLE PROPERTY OF EZSTAK LLC. ANY REPRODUCTION IN PART OR AS A WHOLE WITHOUT THE WRITTEN PERMISSION OF EZSTAK LLC IS PROHIBITED.

SIZE **A** REV **08**

SCALE: 1:12 SHEET 1 OF 1

UNIT: IPS

**Deburr All Edges**

ITEM NO.	PART NUMBER	DESCRIPTION	Default/QTY	Revision
1	1003241	CABINET ASSEMBLY	1	08
2	1003228	DRAWER ASSEMBLY - 10"H	1	09