

NOTES:

- ALUMINUM CONSTRUCTION

CABINET:

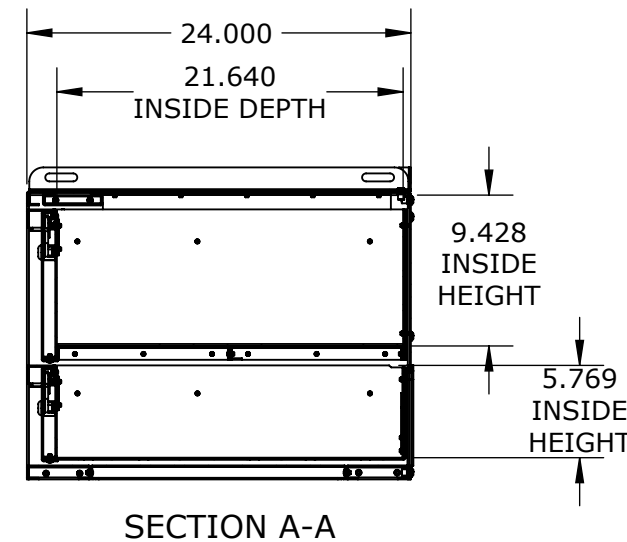
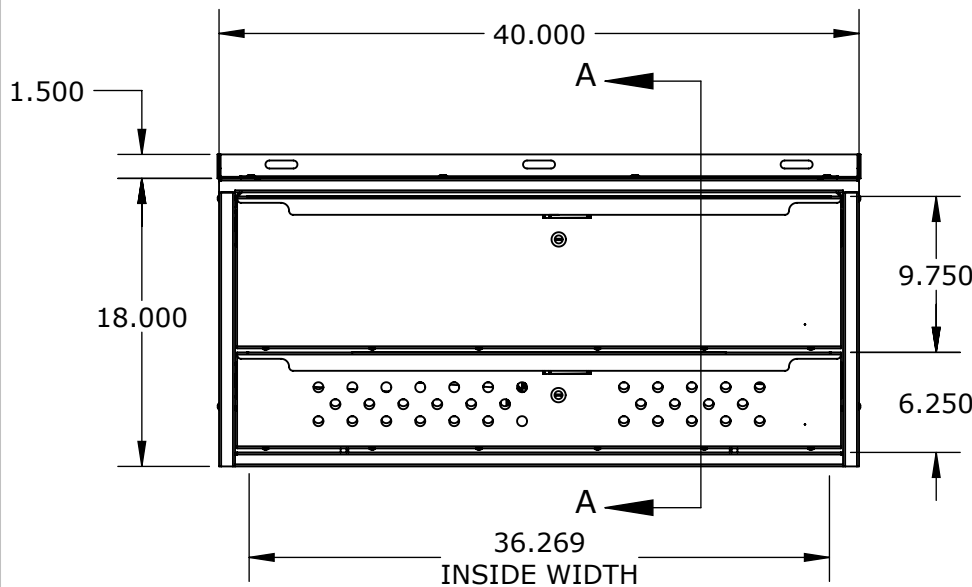
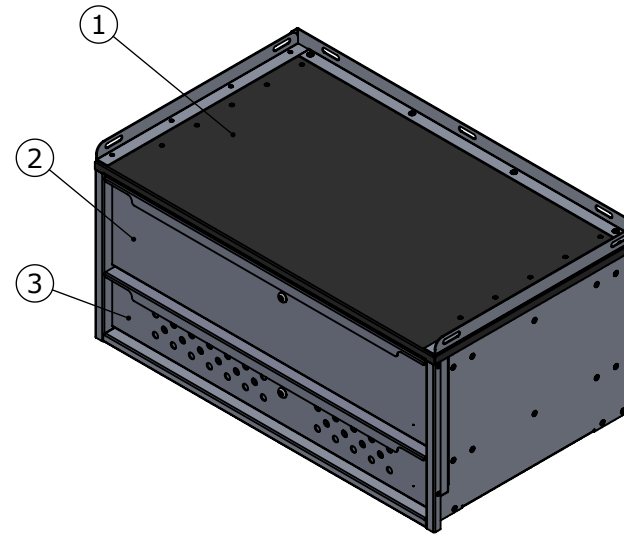
- ANTI-SKID LINER ON TOP
- 1.5" CARGO RAIL AROUND SIDES AND BACK
- 6"X 24" CUT-OUT IN THE BACK PANEL OF THE CABINET

TOP DRAWER:

- STANDARD KEY LOCKING
- 200LBS DRAWER SLIDES
- RUBBER MATTING

BOTTOM RADIO DRAWER:

- PERFORATIONS IN FRONT, BOTTOM AND BACK PANELS
- STANDARD KEY LOCKING
- 200LBS DRAWER SLIDES
- 4"X 3" CUT-OUT AT THE BACK



ITEM NO.	PART NO.	DESCRIPTION	QTY.	Revision
1	1154578	CABINET ASSEMBLY	1	01
2	1154601	DRAWER ASSEMBLY - 9.75"	1	01
3	1154591	DRAWER (RADIO) ASSEMBLY - 6.25"H	1	02



PH:(613)530.3419
FAX:(613)546.5489

DESCRIPTION

FIU STACKED DRAWER SERIES

PART NO.

FIU-184024-207

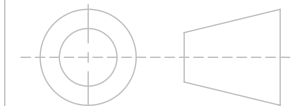
	NAME	DATE
DRAWN	DDR	Jan 11, 2018
CHECKED	AH	Jan 11, 2018
RELEASED TO PRODUCTION		

PROPERTIES

MATERIAL: N/A
THICKNESS: N/A
FINISH: NONE
WEIGHT: 103.317 LB

TOLERANCES UNLESS OTHERWISE SPECIFIED:

X.X ± 0.025
X.XX ± 0.010
X.XXX ± 0.005



DO NOT SCALE DRAWING

PROPRIETARY AND CONFIDENTIAL

THE INFORMATION CONTAINED IN THIS DRAWING IS THE SOLE PROPERTY OF EZSTAK LLC. ANY REPRODUCTION IN PART OR AS A WHOLE WITHOUT THE WRITTEN PERMISSION OF EZSTAK LLC IS PROHIBITED.

SIZE **A** REV **02**

SCALE: 1:12 SHEET 1 OF 1

UNIT: IPS

Deburr All Edges