

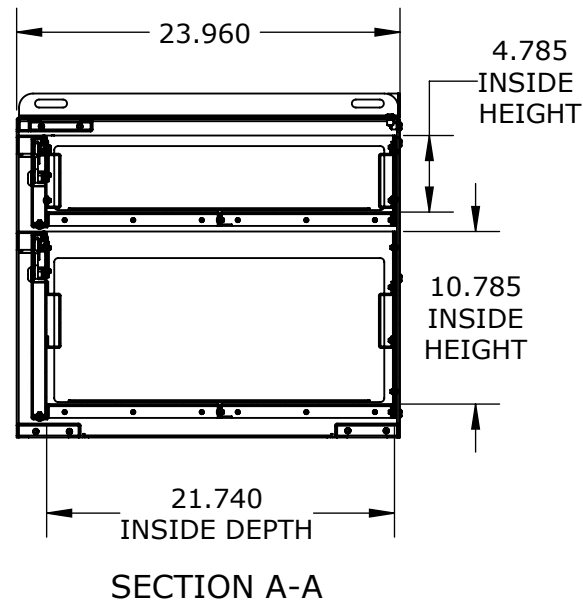
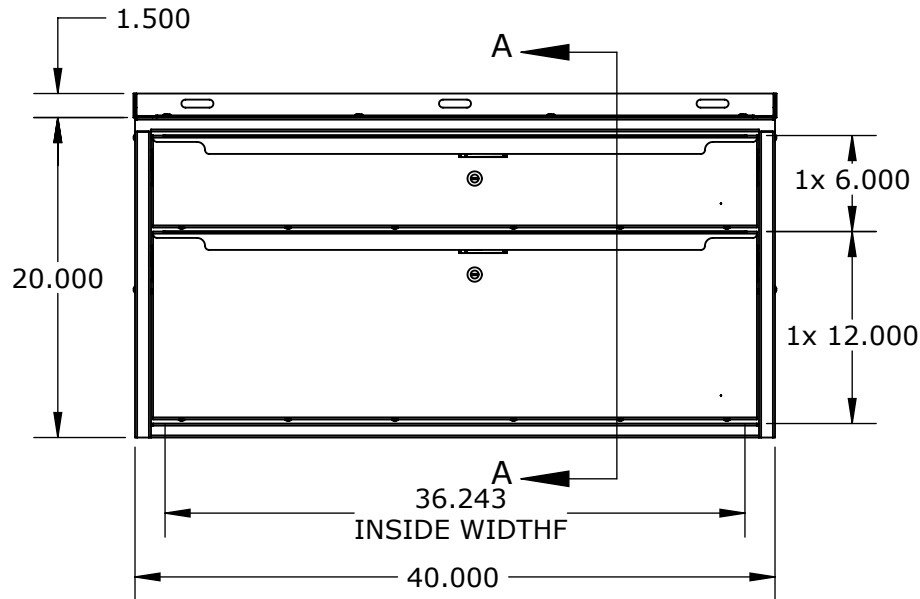
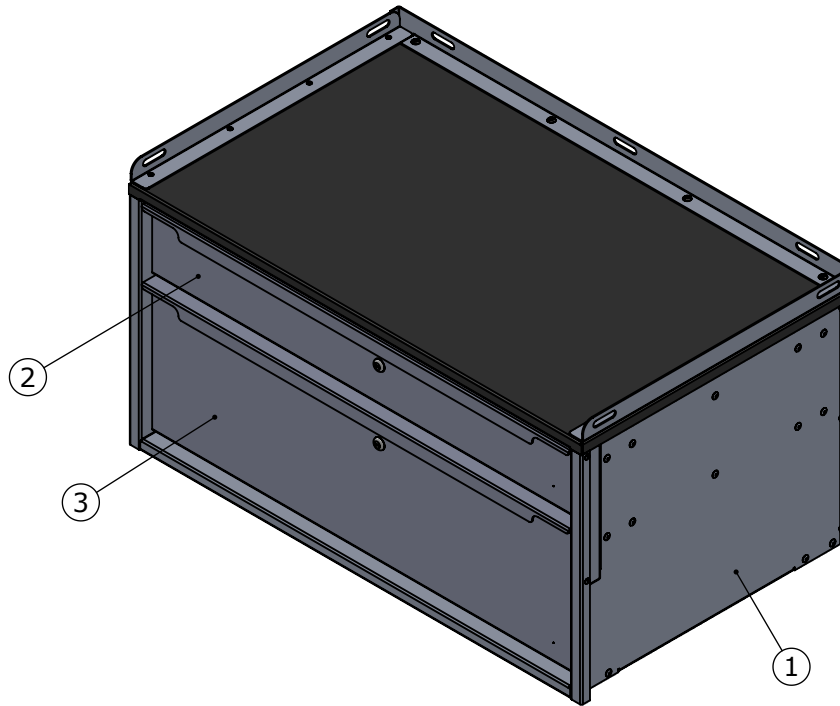
NOTES:

- ALUMINUM CONSTRUCTION CABINET
 - ANTI-SKID LINER ON TOP
 - 1.5" CARGO RAIL AROUND SIDES AND BACK
- TOP DRAWER**

- 1 - FRONT TO BACK DIVIDERS
- KEY LOCKING
- 200LBS DRAWER SLIDES

BOTTOM DRAWER

- 1 - FRONT TO BACK DIVIDERS
- KEY LOCKING
- 200LBS DRAWER SLIDES



PH:(613)530.3419
FAX:(613)546.5489

DESCRIPTION
FIU STACKED DRAWER SERIES

PART NO.
FIU-204024-202

	NAME	DATE
DRAWN	BK	Jun 12, 2017
CHECKED	VS	Jul 17, 2017

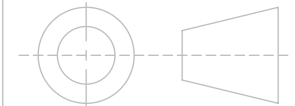
RELEASED TO PRODUCTION

PROPERTIES

MATERIAL: N/A
THICKNESS: N/A
FINISH: POWDER COATED BLACK
WEIGHT: 111.692 LB

TOLERANCES UNLESS OTHERWISE SPECIFIED:

X.X ± 0.025
X.XX ± 0.010
X.XXX ± 0.005



DO NOT SCALE DRAWING

PROPRIETARY AND CONFIDENTIAL

THE INFORMATION CONTAINED IN THIS DRAWING IS THE SOLE PROPERTY OF EZSTAK LLC. ANY REPRODUCTION IN PART OR AS A WHOLE WITHOUT THE WRITTEN PERMISSION OF EZSTAK LLC IS PROHIBITED.

SIZE **A** REV **05**

SCALE: 1:12 SHEET 1 OF 1

UNIT: IPS

Deburr All Edges

ITEM NO.	PART NO.	DESCRIPTION	QTY.	Revision
1	1006491	CABINET ASSEMBLY	1	04
2	1006503	DRAWER ASSEMBLY - 6"H	1	04
3	1006478	DRAWER ASSEMBLY - 12"H	1	04