

**NOTES:**

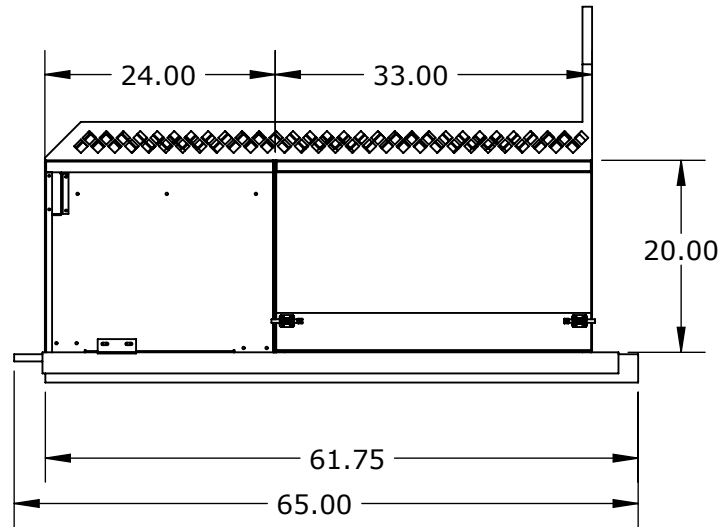
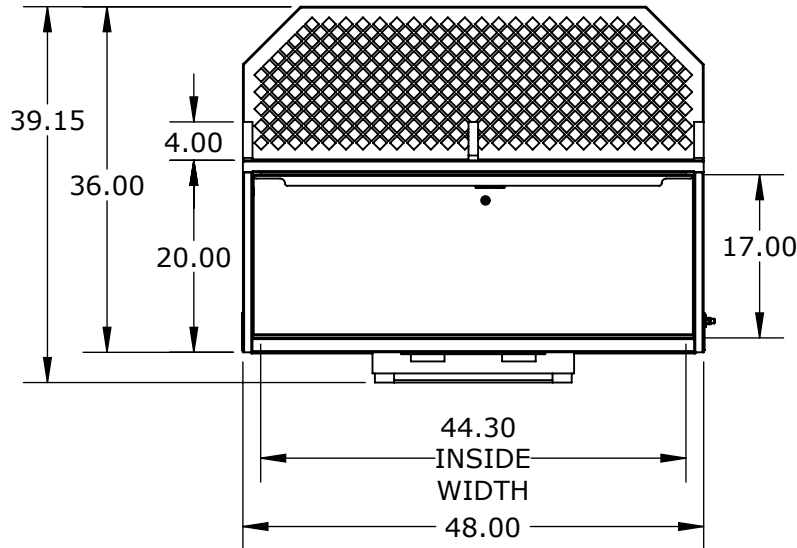
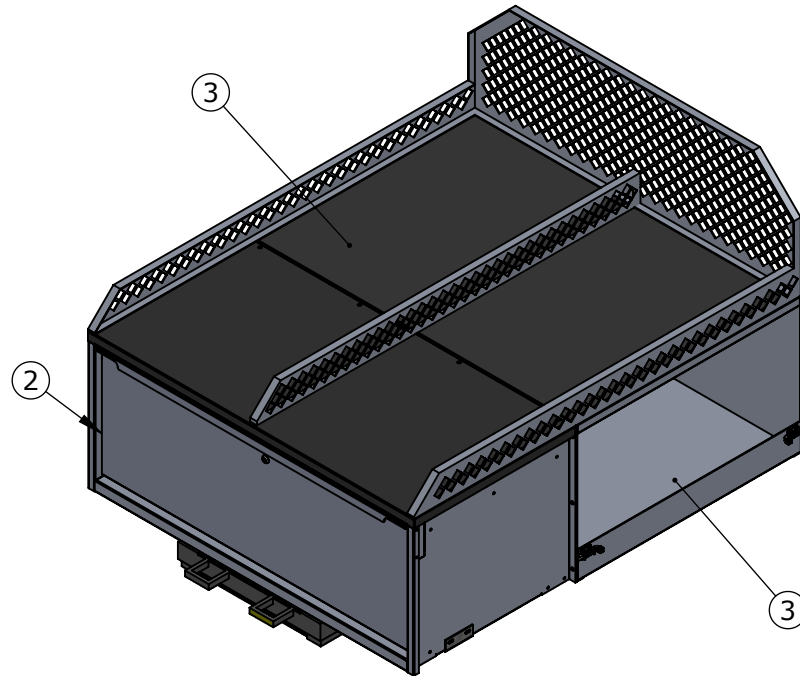
- ALUMINUM CONSTRUCTION
- ANTI-SKID LINER ON TOP
- 4" CARGO RAIL AROUND SIDES
- 4" CARGO DIVIDER CENTERED ON TOP OF UNIT
- CARGO BARRIER
- 60" EXTENSION BED SLIDE

**DRAWER UNIT CTU-204824:**

- KEY LOCK CYLINDER
- 2 X 200LBS DRAWER SLIDES
- 2 X SIDE-TO-SIDE DIVIDERS

**2X CUSTOM CARGO COMPARTMENT-203324**

- RUBBER MATTING
- 4" FOLD DOWN LIP
- 2 X SPRING LATCHES



ITEM NO.	PART NUMBER	DESCRIPTION	QTY.	Revision
1	1087131	CABINET ASSEMBLY	1	-
2	1087119	DRAWER ASSEMBLY- 17.0"H	1	-
3	1087243	CARGO COMPARTMENT	2	
4	1087260	CARGO BARRIER	1	0
5	2908-HD2160	CARGO BED HD2170	1	



PH:(630)994.3300  
FAX:(613)546.5489

DESCRIPTION  
**ACCIDENT RECONSTRUCTION**

PART NO.  
**2908-A02**

	NAME	DATE
DRAWN	TT	02/27/17
CHECKED	-	-

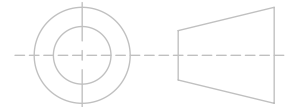
**NOT RELEASED**

**PROPERTIES**

MATERIAL: ALUMINIUM  
THICKNESS: N/A  
FINISH: NONE  
WEIGHT: 275.812 LB

TOLERANCES UNLESS OTHERWISE SPECIFIED:

X.X ± 0.025  
X.XX ± 0.010  
X.XXX ± 0.005



DO NOT SCALE DRAWING

**PROPRIETARY AND CONFIDENTIAL**

THE INFORMATION CONTAINED IN THIS DRAWING IS THE SOLE PROPERTY OF EZSTAK LLC. ANY REPRODUCTION IN PART OR AS A WHOLE WITHOUT THE WRITTEN PERMISSION OF EZSTAK LLC IS PROHIBITED.

SIZE **A**      REV **C2**

SCALE: 1:20 SHEET 1 OF 1

UNIT: IPS

**Deburr All Edges**