

**NOTES:**

- ALUMINUM CONSTRUCTION
- CARGO BED - 36"W x 75"D C/W 61" EXTENSION
- 3/4" PLYWOOD BASE, TOP-SIDE FILM MARINE GRADE

**OPEN STORAGE ON BOTTOM:**

**8"H x 48"W x 72"D**

- 22.25" - 16"W COMPARTMENTS
- BOTH COMPARTMENTS ARE FULL DEPTH AND HAVE 5.75" H CLEAR OPENING ON FRONT

**OPEN STORAGE ON FRONT:**

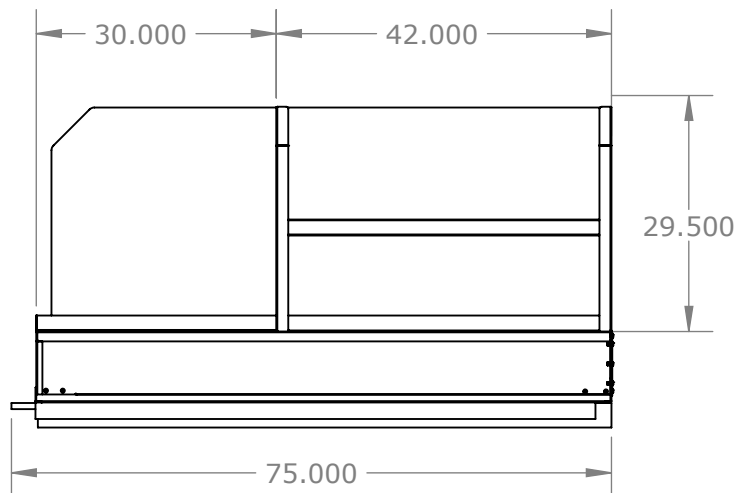
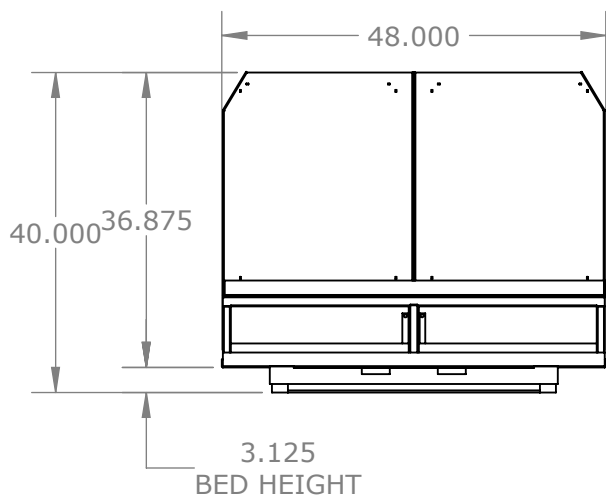
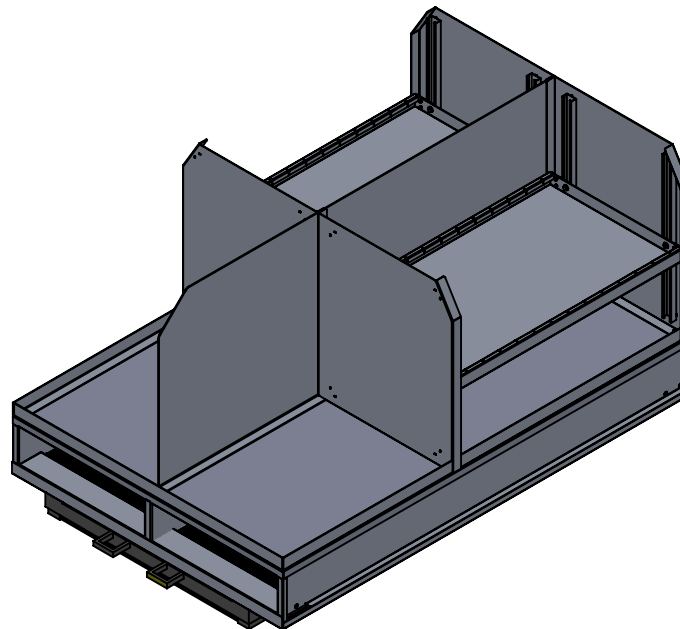
**24"H x 48"W x 30"D**

- TWO CUBBIES OF EQUAL SPACE
- FIXED PARTITION IN MIDDLE
- 2"LIP AROUND SIDES AND FRONT

**2x SHELVING UNIT ON REAR (SIDE-BY-SIDE):**

**24"H x 42"W X 24"D**

- 1x ADJUSTABLE SHELF WITH 2" LIP
- KICK PLATE INCLUDED
- FIXED PARTITION IN MIDDLE



**PLEASE CONFIRM THE DIMENSIONS IF THERE IS ANY TOOLBOXES OR CANOPY INSTALLED IN VEHICLE**

DISCLAIMER: By signing and dating this document, I agree that all specifications, notes and dimensions are clear, correct and in accordance with intended product use, content fit and function and product envelope fit and function. I understand this agreement to be binding and accept that any future change requests will be charged as additional work and managed through revision of this document.

Signature: \_\_\_\_\_ Date: \_\_\_\_\_



PH:(613)530.3419  
FAX:(613)546.5489

**DESCRIPTION**  
**BATTALION CHIEF**

**PART NO.**  
**4392-A01**

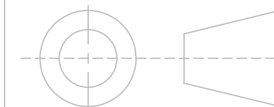
	NAME	DATE
DRAWN	LH	4/23/2018
CHECKED	-	-
<b>NOT RELEASED</b>		

**PROPERTIES**

MATERIAL: ALUMINIUM  
 THICKNESS: N/A  
 FINISH: NONE  
 WEIGHT: 564.315 LB

TOLERANCES UNLESS OTHERWISE SPECIFIED:

X.X ± 0.025  
 X.XX ± 0.010  
 X.XXX ± 0.005



DO NOT SCALE DRAWING

**PROPRIETARY AND CONFIDENTIAL**

THE INFORMATION CONTAINED IN THIS DRAWING IS THE SOLE PROPERTY OF EZSTAK LLC. ANY REPRODUCTION IN PART OR AS A WHOLE WITHOUT THE WRITTEN PERMISSION OF EZSTAK LLC IS PROHIBITED.

SIZE **A** REV **C2**

SCALE: 1:24 SHEET 1 OF 2

UNIT: IPS

**Deburr All Edges**

**DESCRIPTION**  
**BATTALION CHIEF**

**PART NO.**  
**4392-A01**

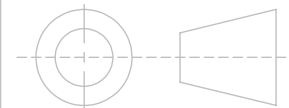
	NAME	DATE
DRAWN	LH	4/23/2018
CHECKED	-	-
<b>NOT RELEASED</b>		

**PROPERTIES**

MATERIAL: ALUMINIUM  
THICKNESS: N/A  
FINISH: NONE  
WEIGHT: 564.315 LB

TOLERANCES UNLESS OTHERWISE SPECIFIED:

X.X ± 0.025  
X.XX ± 0.010  
X.XXX ± 0.005



DO NOT SCALE DRAWING

**PROPRIETARY AND CONFIDENTIAL**

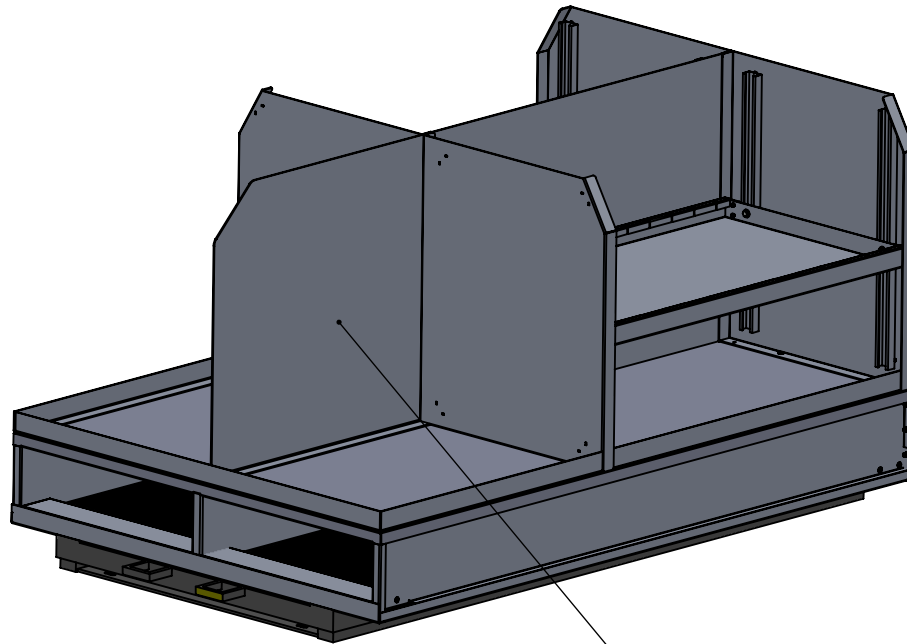
THE INFORMATION CONTAINED IN THIS DRAWING IS THE SOLE PROPERTY OF EZSTAK LLC. ANY REPRODUCTION IN PART OR AS A WHOLE WITHOUT THE WRITTEN PERMISSION OF EZSTAK LLC IS PROHIBITED.

SIZE **A** REV **C2**

SCALE: 1:18 SHEET 2 OF 2

UNIT: IPS

**Deburr All Edges**



**PARTITION TO RUN  
WHOLE LENGTH OF TRAY**

