

NOTES:

- ALUMINUM CONSTRUCTION
- PLYWOOD BASE FOR INSTALLATION
- 2X BARRIERS (AT BACK & 12" FROM FRONT)
- POWDER COATED UNIT

LEFT CABINET

- ANTI-SKID LINER ON TOP
- PLUS 2" RAIL AROUND SIDES AND BACK

RIGHT CABINET

- ANTI-SKID LINER ON TOP
- PLUS 2" RAIL AROUND SIDES AND BACK
- TUBE STRUCTURE SUPPORT ON TOP

RIGHT DRAWER:

- KEY LOCKING
- RUBBER MATTING
- 2x 500LBS DRAWER SLIDES
- 2x FRONT-TO-BACK DIVIDERS

LEFT TOP DRAWER:

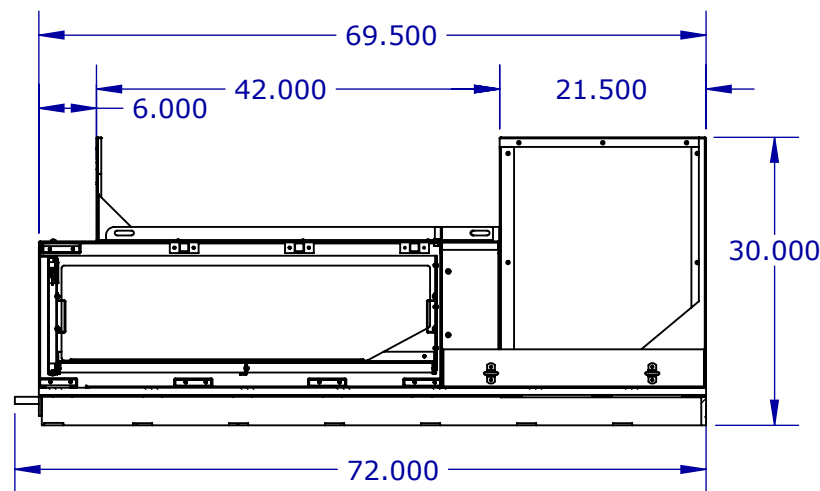
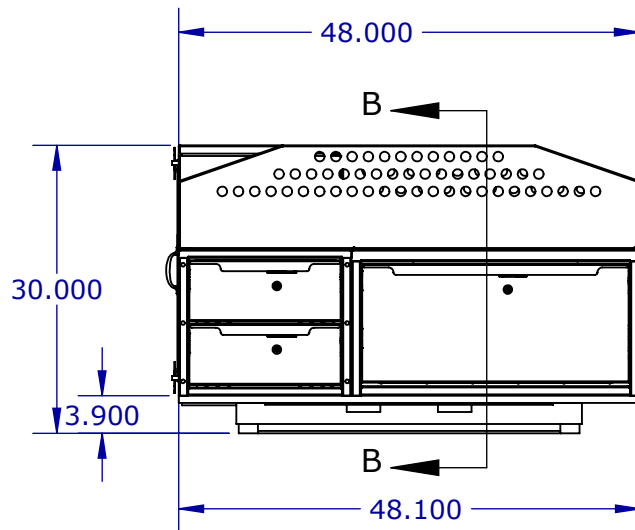
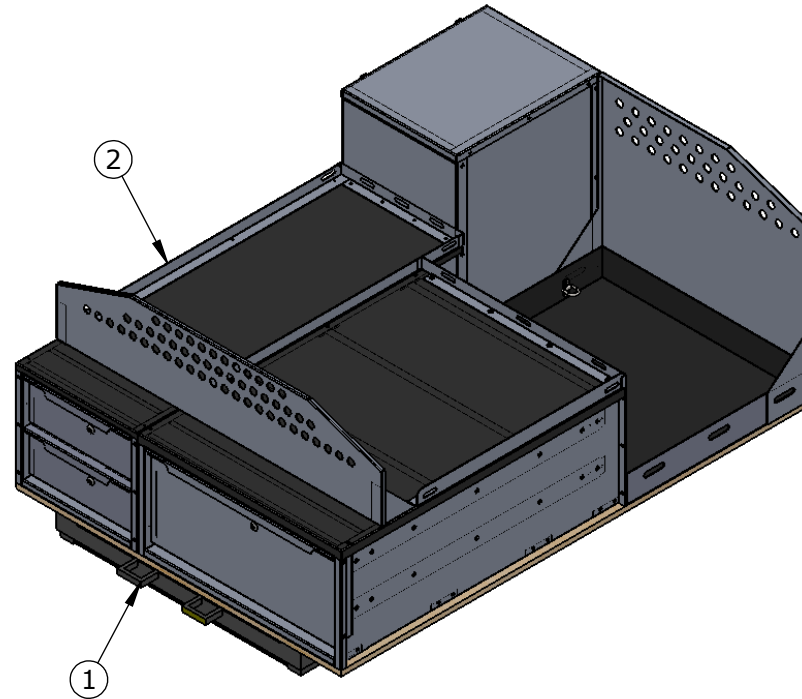
- KEY LOCKING
- 500LBS DRAWER SLIDES
- 1/4" FOAM AND 2" FOAM

LEFT BOTTOM DRAWER:

- KEY LOCKING
- 500LBS DRAWER SLIDES
- 2x SIDE-TO-SIDE DIVIDERS
- RUBBER MATTING

EXPLOSIVE STORAGE CABINET:

- PLYWOOD LINING INSIDE
- REMOVABLE DOOR WITH WHITEBOARD INSIDE



SECTION B-B

ITEM NO.	PART NUMBER	DESCRIPTION	Default/QTY.	Revision
1	CARGO BED-HD3672	CARGO BED HD3672	1	-
2	1110612	ORGANIZER DRAWER SERIES	1	-



PH:(613)530.3419  
FAX:(613)546.5489

DESCRIPTION  
**BOMB SQUAD**

PART NO.  
**TDU-304872-700**

	NAME	DATE
DRAWN	JB	08/08/2017
CHECKED	-	-

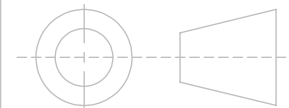
**NOT RELEASED**

PROPERTIES

MATERIAL: N/A  
THICKNESS: N/A  
FINISH:  
WEIGHT: 487.428 LB

TOLERANCES UNLESS OTHERWISE SPECIFIED:

X.X ± 0.025  
X.XX ± 0.010  
X.XXX ± 0.005



DO NOT SCALE DRAWING

**PROPRIETARY AND CONFIDENTIAL**  
THE INFORMATION CONTAINED IN THIS DRAWING IS THE SOLE PROPERTY OF EZSTAK LLC. ANY REPRODUCTION IN PART OR AS A WHOLE WITHOUT THE WRITTEN PERMISSION OF EZSTAK LLC IS PROHIBITED.

SIZE **A** REV **C5**

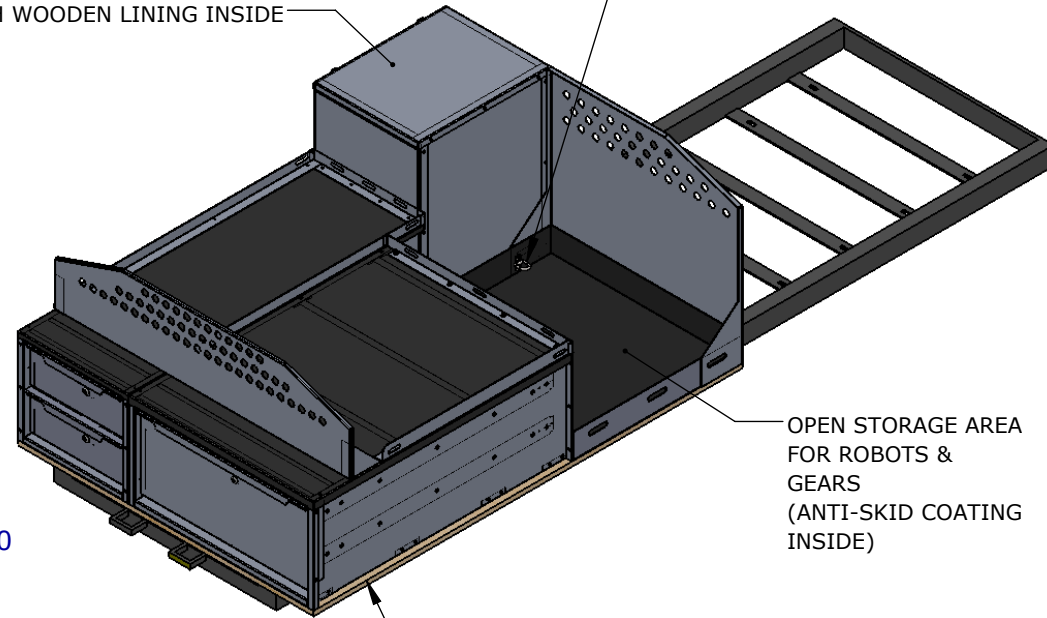
SCALE: 1:20 SHEET 1 OF 3

UNIT: IPS

**Deburr All Edges**

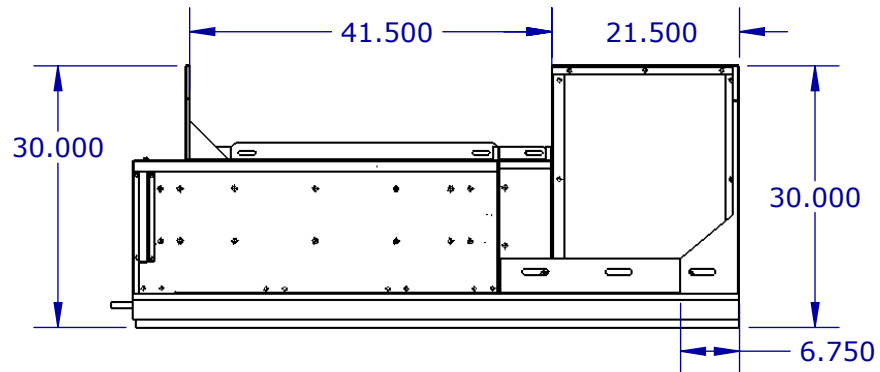
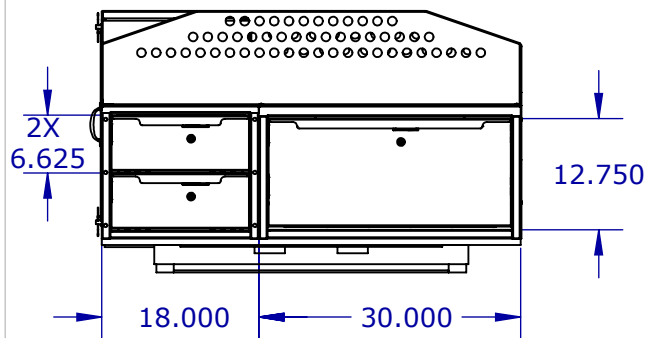
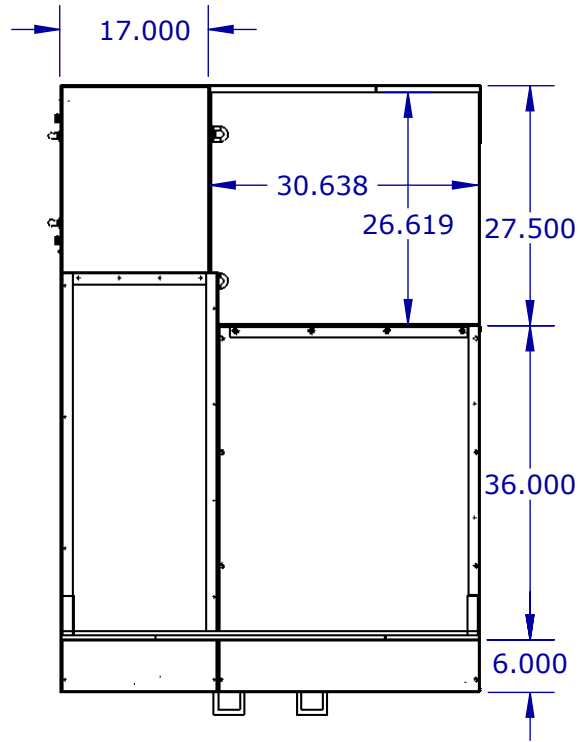
EXPLOSIVE STORAGE CABINET  
WITH WOODEN LINING INSIDE

TIE-DOWNS FOR ROBOTS



OPEN STORAGE AREA  
FOR ROBOTS &  
GEARS  
(ANTI-SKID COATING  
INSIDE)

PLYWOOD BASE FOR  
INSTALLATION



PH:(613)530.3419  
FAX:(613)546.5489

**DESCRIPTION**  
**BOMB SQUAD**

**PART NO.**  
**TDU-304872-700**

	NAME	DATE
DRAWN	JB	08/08/2017
CHECKED	-	-

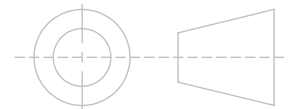
**NOT RELEASED**

**PROPERTIES**

MATERIAL: N/A  
THICKNESS: N/A  
FINISH:  
WEIGHT: 487.428 LB

TOLERANCES UNLESS OTHERWISE  
SPECIFIED:

X.X ± 0.025  
X.XX ± 0.010  
X.XXX ± 0.005



DO NOT SCALE DRAWING

**PROPRIETARY AND CONFIDENTIAL**

THE INFORMATION CONTAINED IN THIS  
DRAWING IS THE SOLE PROPERTY OF  
EZSTAK LLC. ANY REPRODUCTION IN  
PART OR AS A WHOLE WITHOUT THE  
WRITTEN PERMISSION OF EZSTAK LLC IS  
PROHIBITED.

SIZE **A** REV **C5**

SCALE: 1:22 SHEET 2 OF 3

UNIT: IPS

**Deburr All Edges**

**DESCRIPTION**  
**BOMB SQUAD**

**PART NO.**  
**TDU-304872-700**

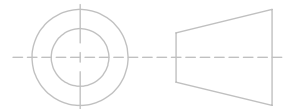
	NAME	DATE
DRAWN	JB	08/08/2017
CHECKED	-	-
<b>NOT RELEASED</b>		

**PROPERTIES**

MATERIAL: N/A  
THICKNESS: N/A  
FINISH  
WEIGHT: 487.428 LB

TOLERANCES UNLESS OTHERWISE SPECIFIED:

X.X ± 0.025  
X.XX ± 0.010  
X.XXX ± 0.005



DO NOT SCALE DRAWING

**PROPRIETARY AND CONFIDENTIAL**

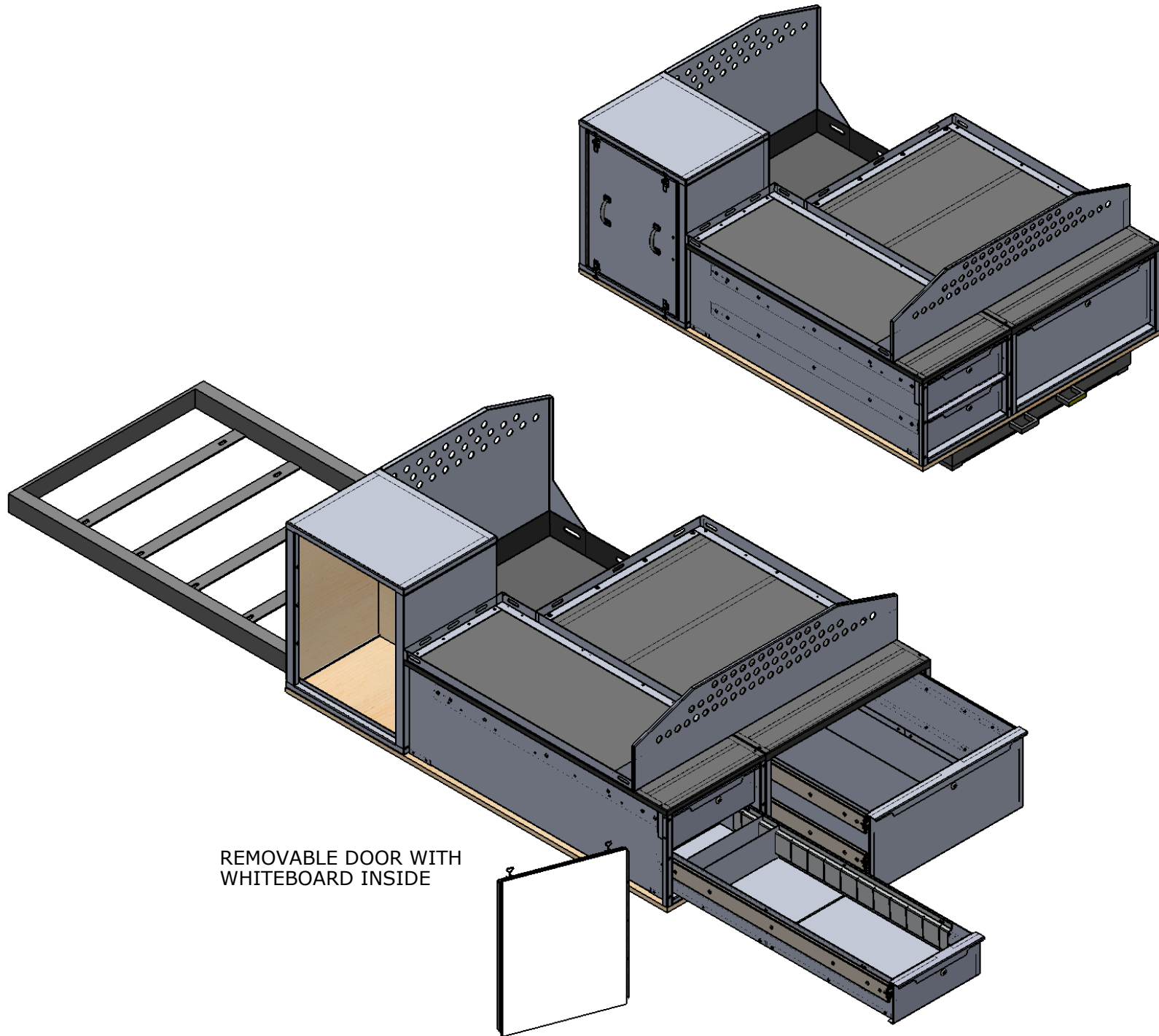
THE INFORMATION CONTAINED IN THIS DRAWING IS THE SOLE PROPERTY OF EZSTAK LLC. ANY REPRODUCTION IN PART OR AS A WHOLE WITHOUT THE WRITTEN PERMISSION OF EZSTAK LLC IS PROHIBITED.

SIZE **A** REV **C5**

SCALE: 1:18 SHEET 3 OF 3

UNIT: IPS

**Deburr All Edges**



REMOVABLE DOOR WITH  
WHITEBOARD INSIDE