

NOTES:

- ALUMINUM CONSTRUCTION
- PLYWOOD BASE FRAME
- TUXEDO BLACK TEXTURE ON TOP & FACES

FRONT DRAWER UNIT:

TOP DRAWER:

- SIMPLEX LOCK
- 1X SIDE TO SIDE DIVDER
- 200LBS DRAWER SLIDES

BOTTOM DRAWER:

- KEY LOCK
- 200LBS DRAWER SLIDES
- WHITEBOARD

PS DRAWERUNIT:

- 1x FILE DRAWER

PS OPEN STORAGE SPACE:

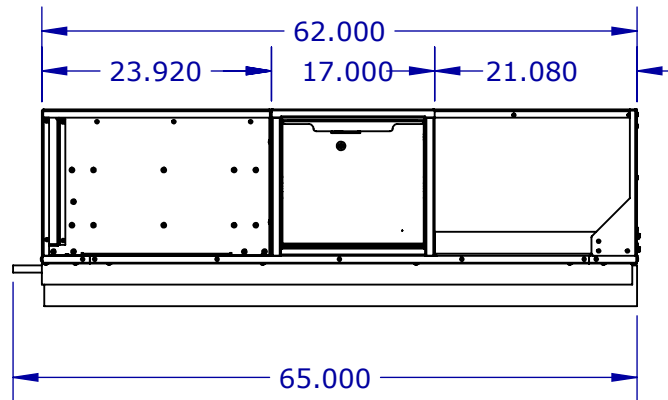
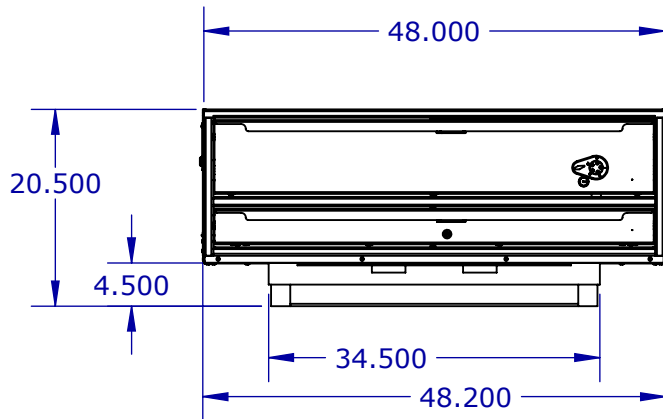
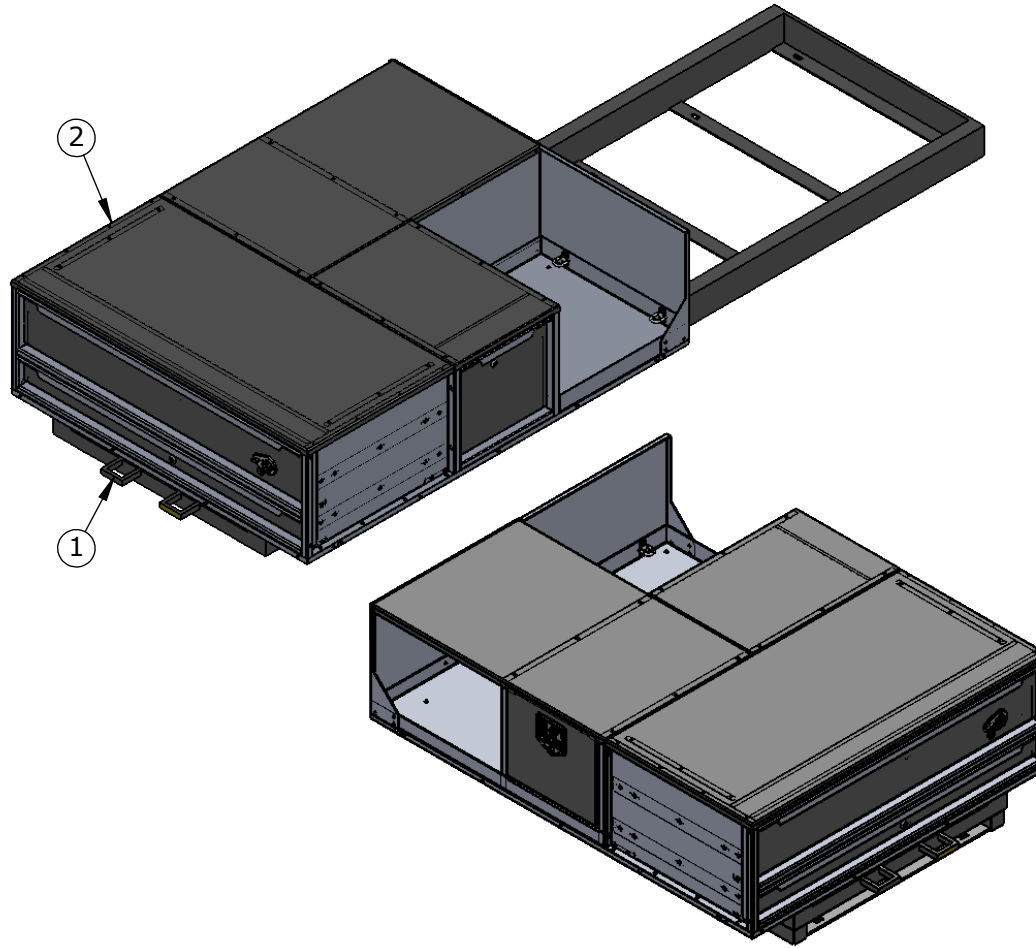
- TIE-DOWN PROVIDED

DS SHELF UNIT

- FLIP-DOWN DOOR
- 1X ADJUSTABLE SHELF

DS COVERED STORAGE CAMPARTMENT

- 2" FRONT LIP AT FRONT



PH:(613)530.3419  
FAX:(613)546.5489

**DESCRIPTION**  
**SWAT COMMANDER**

**PART NO.**  
**4561-A01**

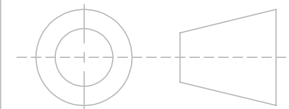
	NAME	DATE
DRAWN	JB	07/18/2018
CHECKED	-	-
<b>NOT RELEASED</b>		

**PROPERTIES**

MATERIAL: N/A  
THICKNESS: N/A  
FINISH\*  
WEIGHT: 474.023 LB

TOLERANCES UNLESS OTHERWISE SPECIFIED:

X.X ± 0.025  
X.XX ± 0.010  
X.XXX ± 0.005



DO NOT SCALE DRAWING

**PROPRIETARY AND CONFIDENTIAL**  
THE INFORMATION CONTAINED IN THIS DRAWING IS THE SOLE PROPERTY OF EZSTAK LLC. ANY REPRODUCTION IN PART OR AS A WHOLE WITHOUT THE WRITTEN PERMISSION OF EZSTAK LLC IS PROHIBITED.

SIZE **A**      REV **C3**

SCALE: 1:20    SHEET 1 OF 1

UNIT:    IPS

**Deburr All Edges**

ITEM NO.	PART NUMBER	DESCRIPTION	OPEN/QTY.	Revision
1	4561-CARGO BED-FD3660	CARGO BED - HD3660	1	
2	1219570	TDU ROLL-OUT	1	