

**NOTES:**

- ALUMINUM CONSTRUCTION
- CARGO BED - XD3675 - 36"W X 75"D
- 3/4" PLYWOOD WITH 1 SIDE ABS FILM IN ROLL-OUT BASE
- 3/4" PLYWOOD WITH 1 SIDE ABS FILM UNDER ROLL-OUT
- 1.5" CARGO RAIL ON SIDES AND FRONT
- REAR CARGO BARRIER WITH 1" HOLE CUT-OUTS
- FRONT CARGO BARRIER PLACED 18" FROM FRONT WITH 1" HOLE CUT-OUTS

**CLOSED COMPARTMENT (FRONT):**

- EXT: 13.5"H X 48"W X 16"D
- HINGED DOWN DOOR WITH LOCKING T-HANDLE
- ADJUSTABLE SHELF
- WHITEBOARD ON INSIDE OF DOOR

**DRAWER UNIT (PS):**

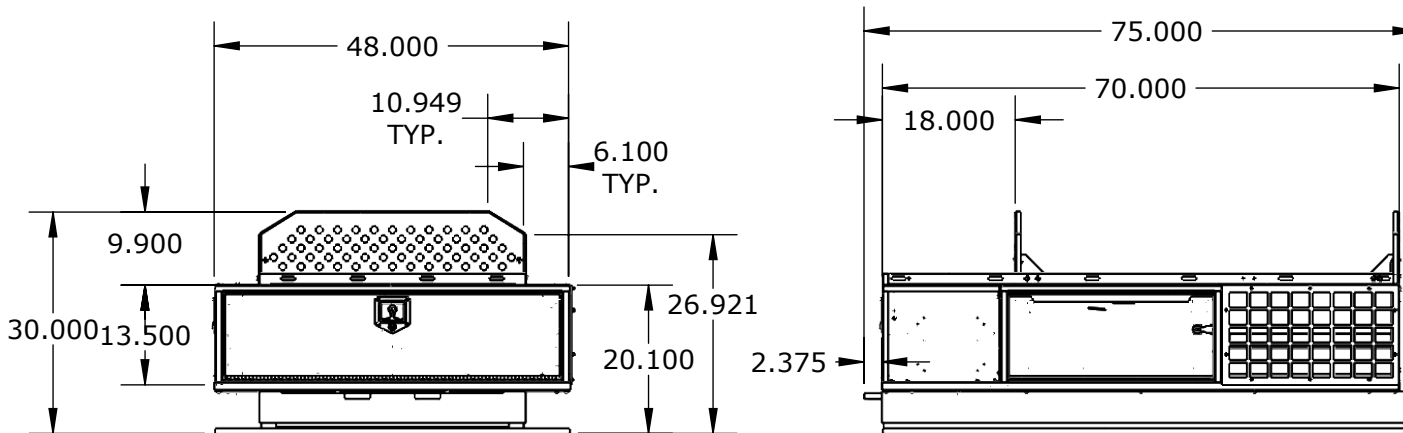
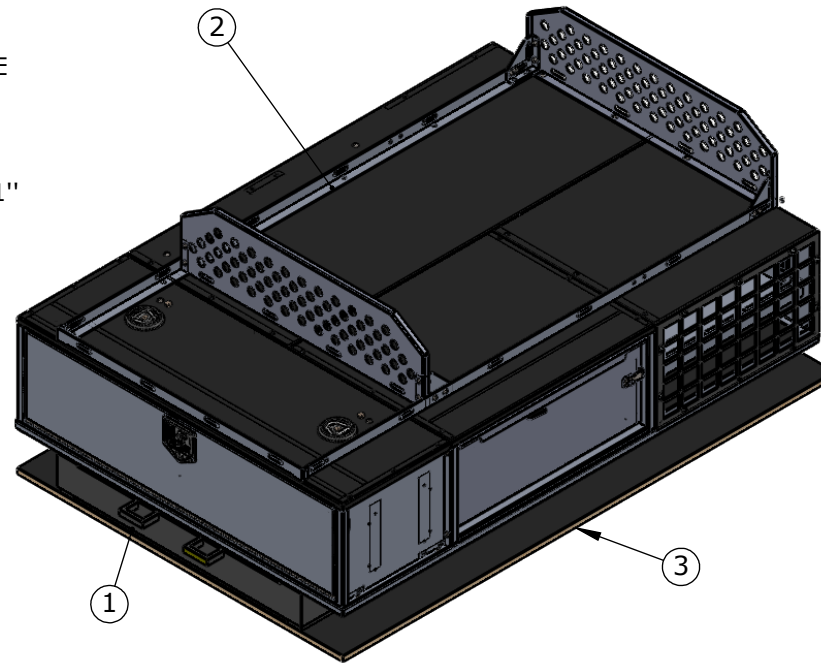
- EXT: 13.5"H X 30"W X 24"D
- 1 - 11.5"H DRAWER
- 2X200 LB SLIDES
- HASP FOR PADLOCK
- 0.75" WOOD LINING INSIDE THE DRAWER WITH HINGED UP TOP

**CLOSED COMPARTMENT (PS):**

- EXT: 13.5"H X 24"W X 24"D
- ADJUSTABLE SHELF WITH CARGO NETTING IN FRONT

**CLOSED COMPARTMENT (DS):**

- EXT: 13.5"H X 54"W X 24"D
- HINGED DOWN DOOR WITH LOCKING T-HANDLE



ITEM NO.	PART NUMBER	DESCRIPTION	Default/QTY.
1	OPS MAXX SLIDE SERIES - XD3675	CARGOBED 36"WX75"D Full Extension	1
2	1228531	ROLLOUT UNIT	1
3	1229714	3/4" PLYWOOD - 1 SIDE BLACK 30601030	1

DISCLAIMER: By signing and dating this document, I agree that all specifications, notes and dimensions are clear, correct and in accordance with intended product use, content fit and function and product envelope fit and function. I understand this agreement to be binding and accept that any future change requests will be charged as additional work and managed through revision of this document.

Signature: \_\_\_\_\_

Date: \_\_\_\_\_



PH:(613)530.3419  
FAX:(613)546.5489

**DESCRIPTION**

**SWAT**

**PART NO.**

**4919-A00**

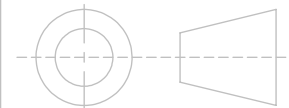
	NAME	DATE
DRAWN	DDR	08/22/18
CHECKED		
<b>NOT RELEASED</b>		

**PROPERTIES**

MATERIAL: ALUMINIUM  
THICKNESS:  
FINISH NONE  
WEIGHT: 537.973 LB

TOLERANCES UNLESS OTHERWISE SPECIFIED:

X.X ± 0.025  
X.XX ± 0.010  
X.XXX ± 0.005



DO NOT SCALE DRAWING

**PROPRIETARY AND CONFIDENTIAL**

THE INFORMATION CONTAINED IN THIS DRAWING IS THE SOLE PROPERTY OF EZSTAK LLC. ANY REPRODUCTION IN PART OR AS A WHOLE WITHOUT THE WRITTEN PERMISSION OF EZSTAK LLC IS PROHIBITED.

SIZE **A** REV **C2**

SCALE: 1:26 SHEET 1 OF 2

UNIT: IPS

**Deburr All Edges**

DESCRIPTION

SWAT

PART NO.

4919-A00

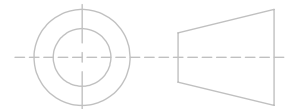
	NAME	DATE
DRAWN	DDR	08/22/18
CHECKED		
<b>NOT RELEASED</b>		

PROPERTIES

MATERIAL:	ALUMINIUM
THICKNESS:	
FINISH	NONE
WEIGHT:	537.973 LB

TOLERANCES UNLESS OTHERWISE SPECIFIED:

X.X	± 0.025
X.XX	± 0.010
X.XXX	± 0.005



DO NOT SCALE DRAWING

PROPRIETARY AND CONFIDENTIAL

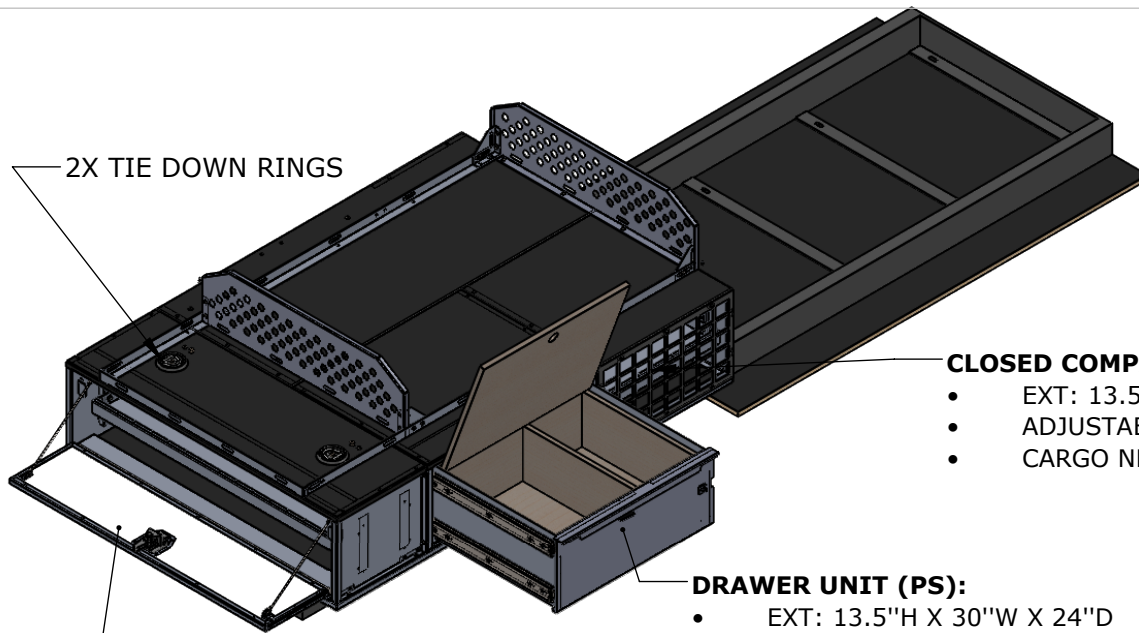
THE INFORMATION CONTAINED IN THIS DRAWING IS THE SOLE PROPERTY OF EZSTAK LLC. ANY REPRODUCTION IN PART OR AS A WHOLE WITHOUT THE WRITTEN PERMISSION OF EZSTAK LLC IS PROHIBITED.

SIZE A REV C2

SCALE: 1:24 SHEET 2 OF 2

UNIT: IPS

**Deburr All Edges**



2X TIE DOWN RINGS

**CLOSED COMPARTMENT (PS):**

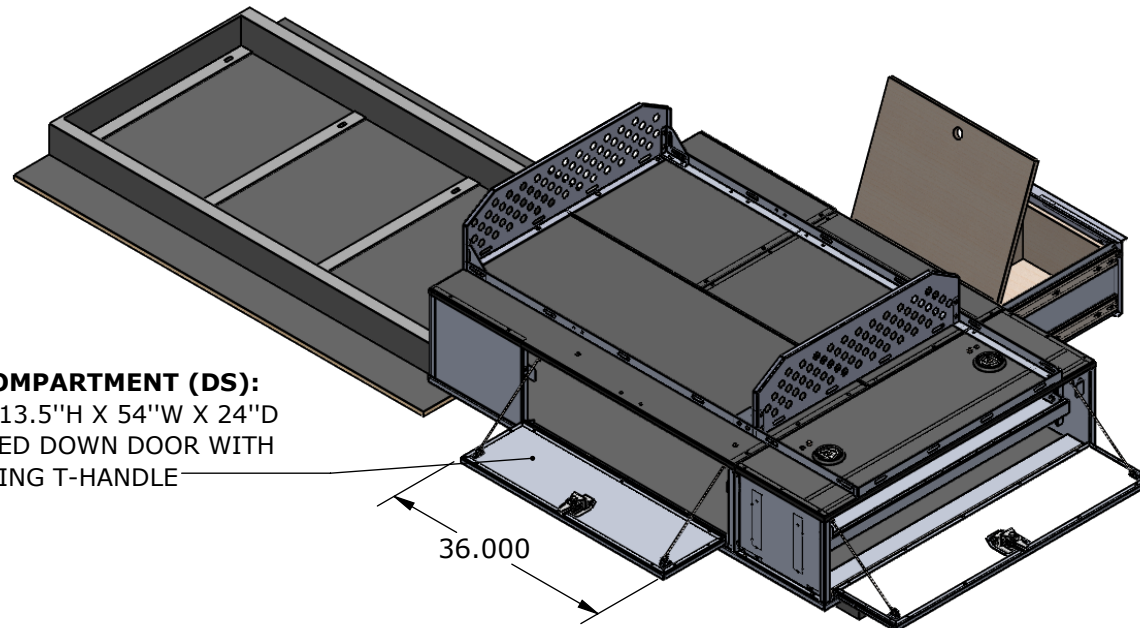
- EXT: 13.5"H X 24"W X 24"D
- ADJUSTABLE SHELF
- CARGO NETTING IN FRONT

**DRAWER UNIT (PS):**

- EXT: 13.5"H X 30"W X 24"D
- 1 - 14"H DRAWER
- 2X 200 LB SLIDES
- HASP FOR PADLOCK
- 0.75" WOOD LINING INSIDE THE DRAWER WITH HINGED UP TOP
- 60/40 DIVIDER
- PLYWOOD BOX INTERIOR DIMENSIONS: 8.5"H X 24.375"W X 19.625"D

**CLOSED COMPARTMENT (FRONT):**

- EXT: 13.5"H X 48"W X 16"D
- HINGED DOWN DOOR WITH LOCKING T-HANDLE
- ADJUSTABLE SHELF
- WHITEBOARD ON INSIDE OF DOOR



**CLOSED COMPARTMENT (DS):**

- EXT: 13.5"H X 54"W X 24"D
- HINGED DOWN DOOR WITH LOCKING T-HANDLE

36.000