

**DESCRIPTION**  
**TRUCK BOX UNIT**

**PART NO.**  
**TBU-134848-001**

	NAME	DATE
DRAWN	AH	01/11/2019
CHECKED	JB	Jan 16, 2019

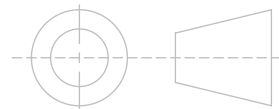
**RELEASED TO PRODUCTION**

**PROPERTIES**

MATERIAL:	ALUMINIUM
THICKNESS:	-
FINISH:	NONE
WEIGHT:	156.767 LB

TOLERANCES UNLESS OTHERWISE SPECIFIED:

X.X	± 0.025
X.XX	± 0.010
X.XXX	± 0.005
X/X	± 1/32
X°	± 1°



DO NOT SCALE DRAWING

**PROPRIETARY AND CONFIDENTIAL**

THE INFORMATION CONTAINED IN THIS DRAWING IS THE SOLE PROPERTY OF EZSTAK LLC. ANY REPRODUCTION IN PART OR AS A WHOLE WITHOUT THE WRITTEN PERMISSION OF EZSTAK LLC IS PROHIBITED.

SIZE REV  
**B** -

SCALE: 1:10 SHEET 1 OF 1

UNIT: IPS

**Deburr All Edges**

**NOTES**

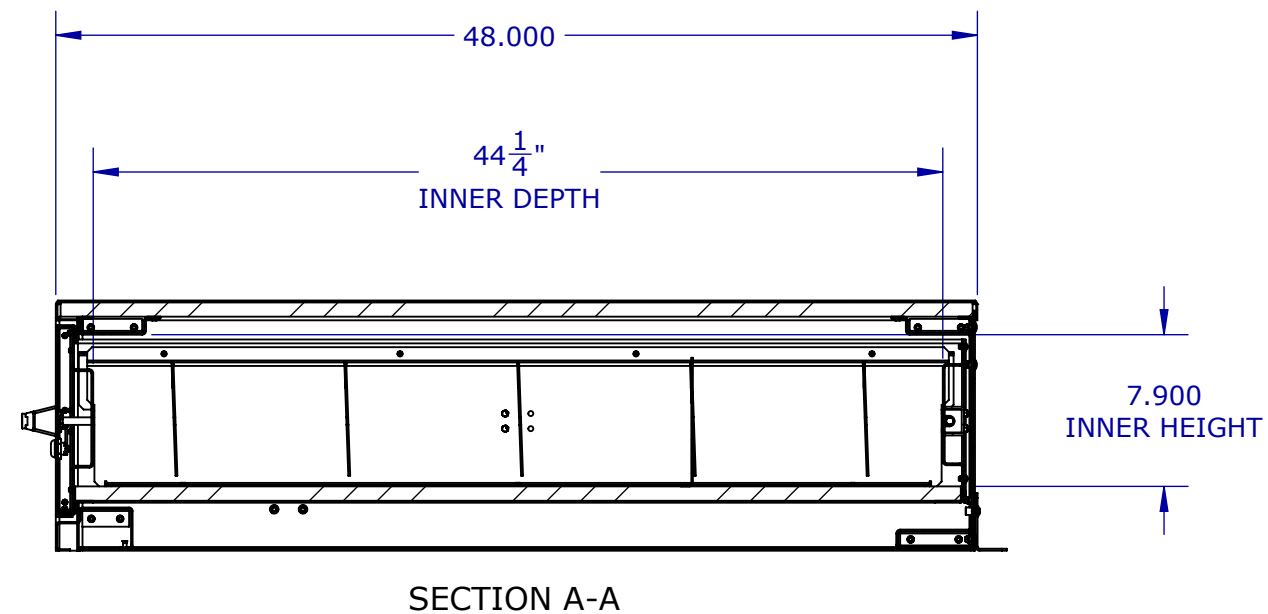
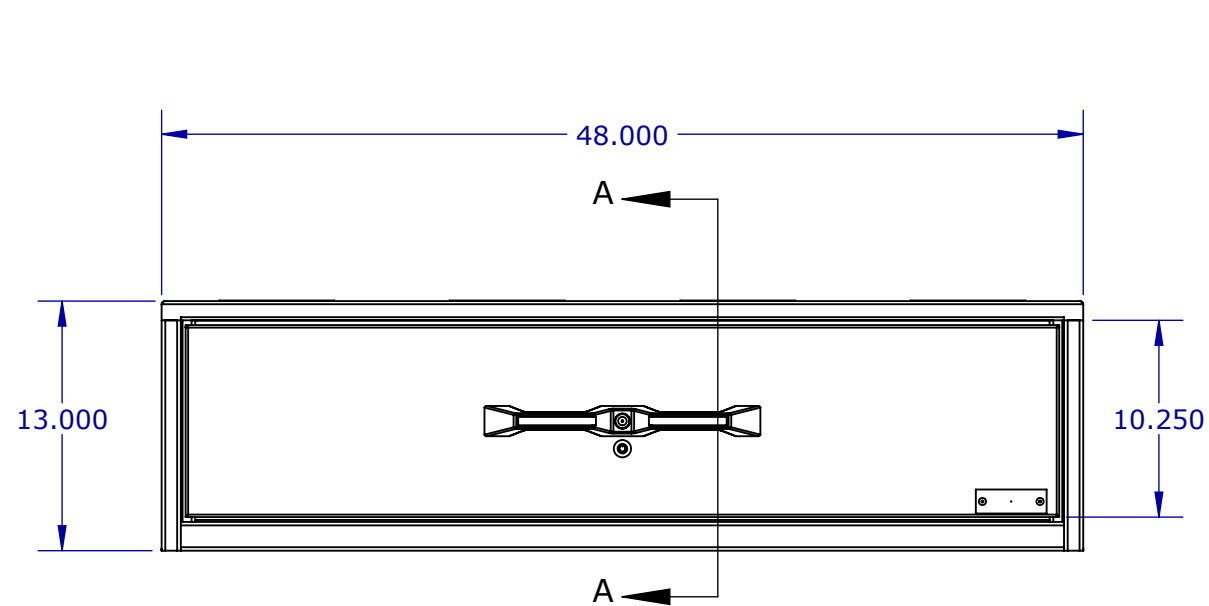
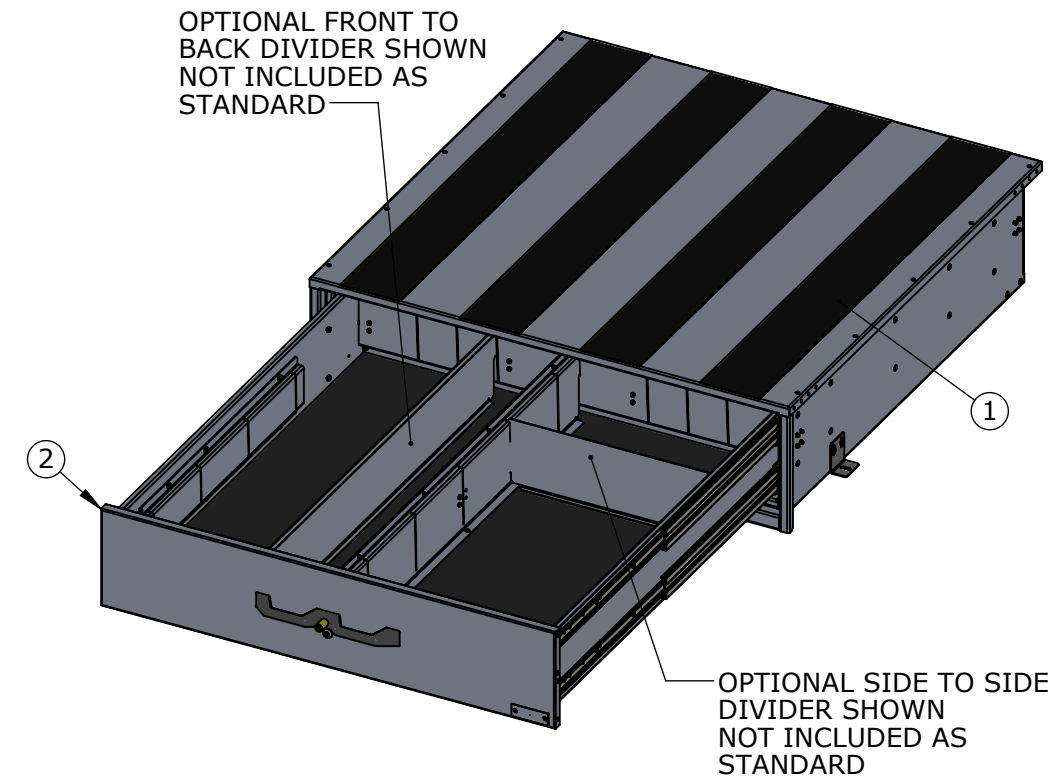
- ALUMINUM CONSTRUCTION

**CABINET**

- 750LBS CAPACITY TO TOP
- STANDARD 'L' BRACKET MOUNTING
- OPTIONAL TURNBUCKLE MOUNTING AVAILABLE

**DRAWER**

- 450LBS CAPACITY
- LOCK IN/LOCK OUT 42" EXTENSION
- OPTIONAL SIDE TO SIDE DIVIDERS AVAILABLE (MAX 8)
- OPTIONAL FRON TO BACK DIVIDERS AVAILABLE (MAX 6)



ITEM NO.	PART NUMBER	DESCRIPTION	Default/QTY.	Revision
1	ASM6000165	CABINET ASSEMBLY	1	-
2	ASM6000166	DRAWER ASSEMBLY	1	-

**DISCLAIMER:** By signing and dating this document, I agree that all specifications, notes and dimensions are clear, correct and in accordance with intended product use, content fit and function and product envelope fit and function. I understand this agreement to be binding and accept that any future change requests will be charged as additional work and managed through revision of this document. All custom orders cannot be cancelled and merchandise cannot be returned. If an order is cancelled by the purchaser after the order has been released to production, EZ STAK reserves the right to charge an order cancellation fee of 40% in addition to the normal restocking fee of 20%.

Signature: \_\_\_\_\_ Date: \_\_\_\_\_