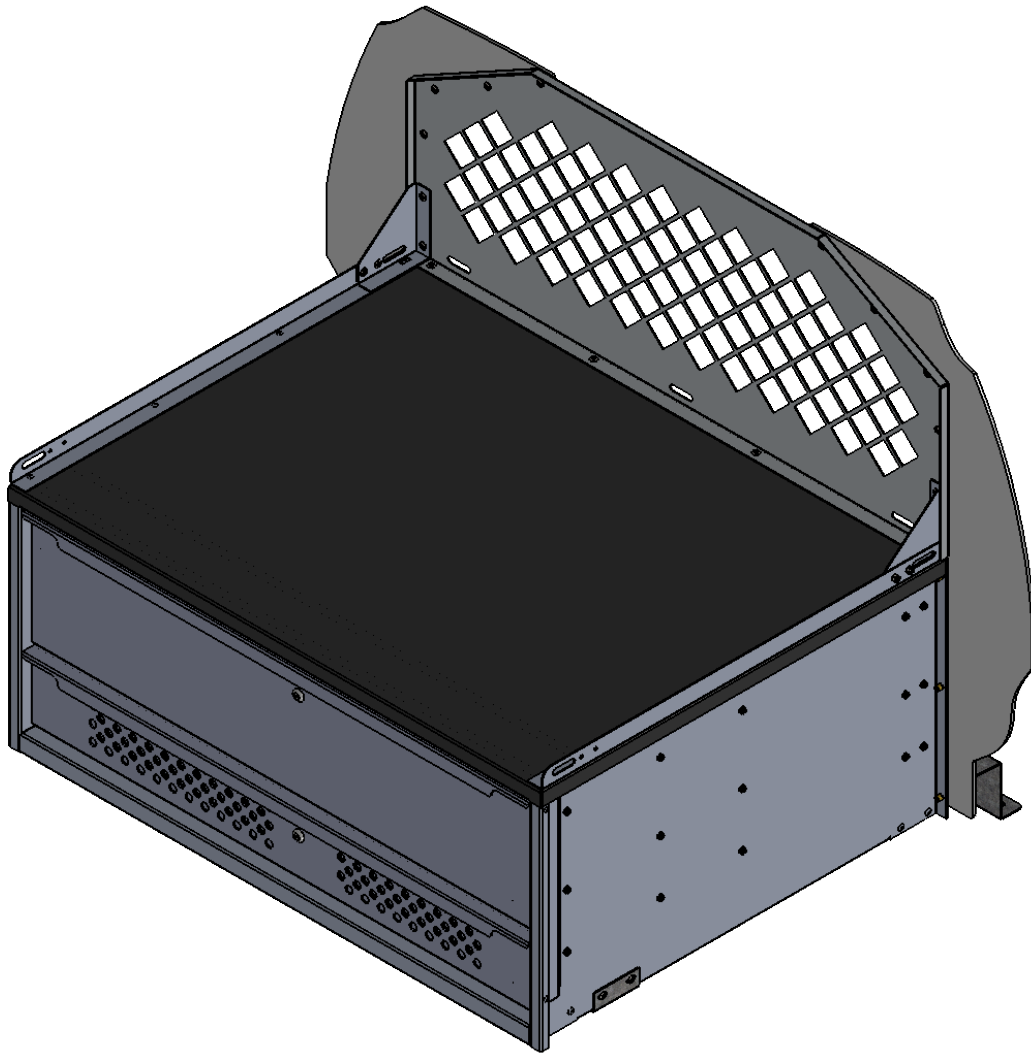
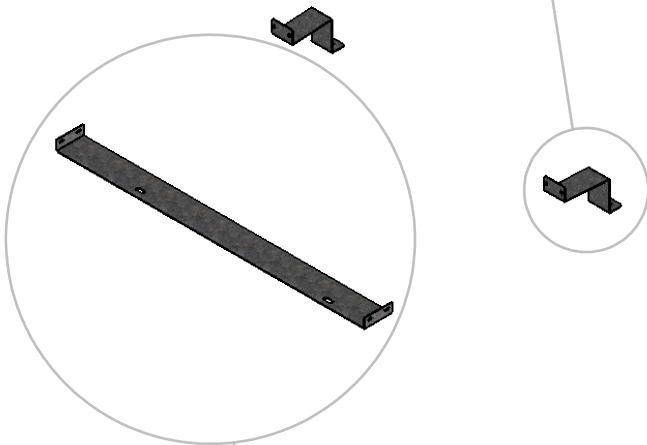


CTU INSTALLATION INSTRUCTIONS





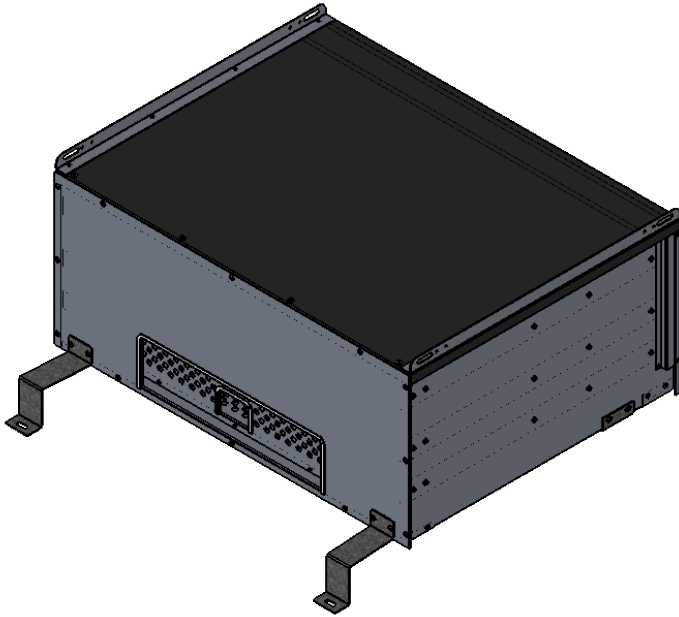
FRONT BRACKETS MOUNTING LOCATION



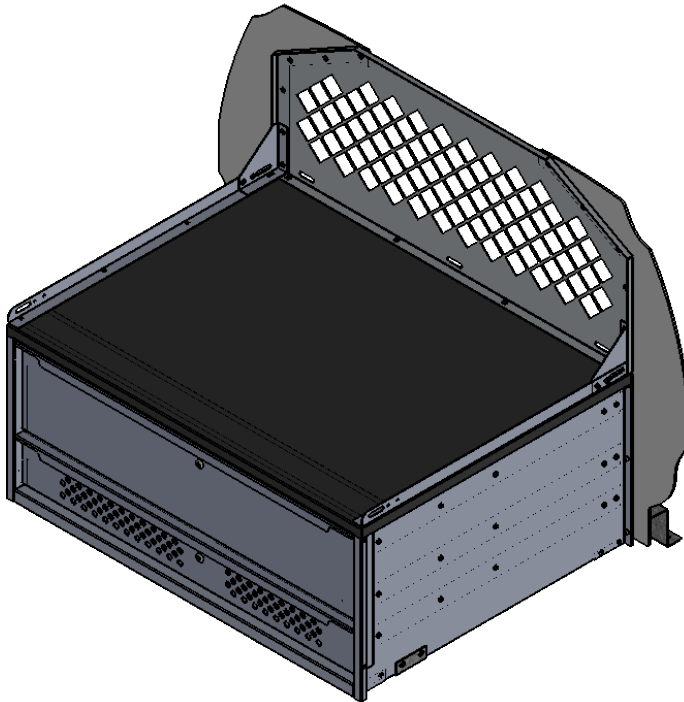
STEP 1:
INSTALL BRACKETS AT LOCATIONS SHOWN. USE M10 BOLTS AND WASHERS FOR REAR BRACKET. USE EXISTING OUTER SEAT BRACKET STUDS FOR FRONT BRACKETS AND REINSTALL FACTORY NUT ON TOP



REAR BRACKET MOUNTING LOCATION



STEP 2:
SECURE UNIT TO BRACKETS USING PROVIDED
1/4" BOLTS, WASHERS AND PREINSTALLED
RIVET NUTS



STEP 3:
FASTEN BARRIER (IF APPLICABLE) USING
PROVIDED 1/4" BOLTS