

NOTES:

- ALUMINUM CONSTRUCTION

CABINET:

- 1.5 PAN FOR RADIO EQUIPMENT AT BACK
- STANDARD TAHOE MOUNTING BRACKETS

DRAWER (DS):

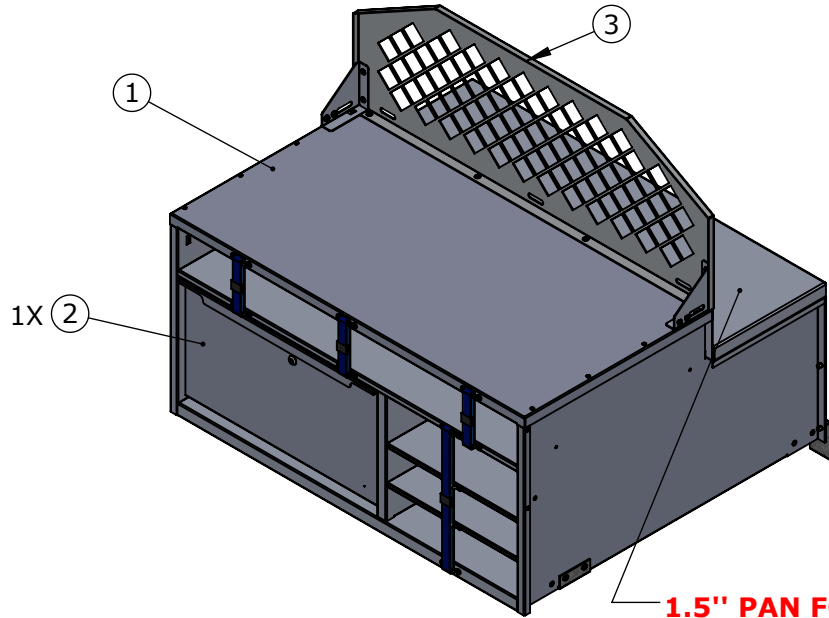
- STANDARD KEY LOCK
- 2X 250LB REMOVABLE SLIDES, 36" EXTENSION

SCALE STORAGE (PS):

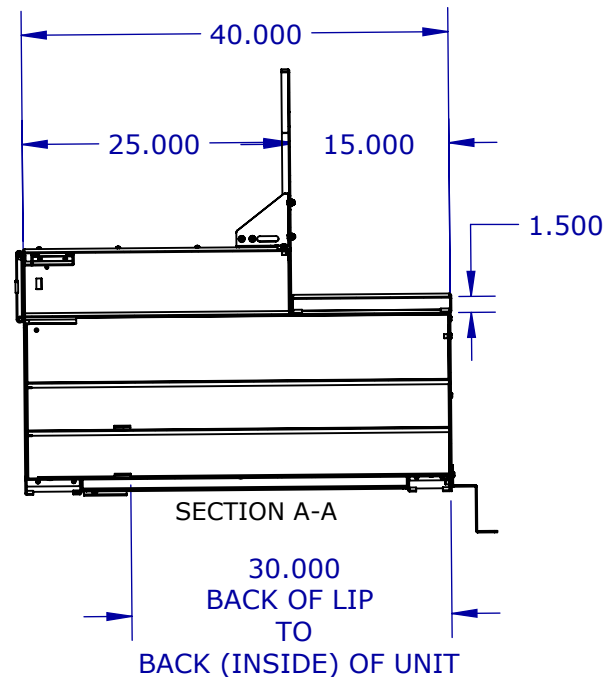
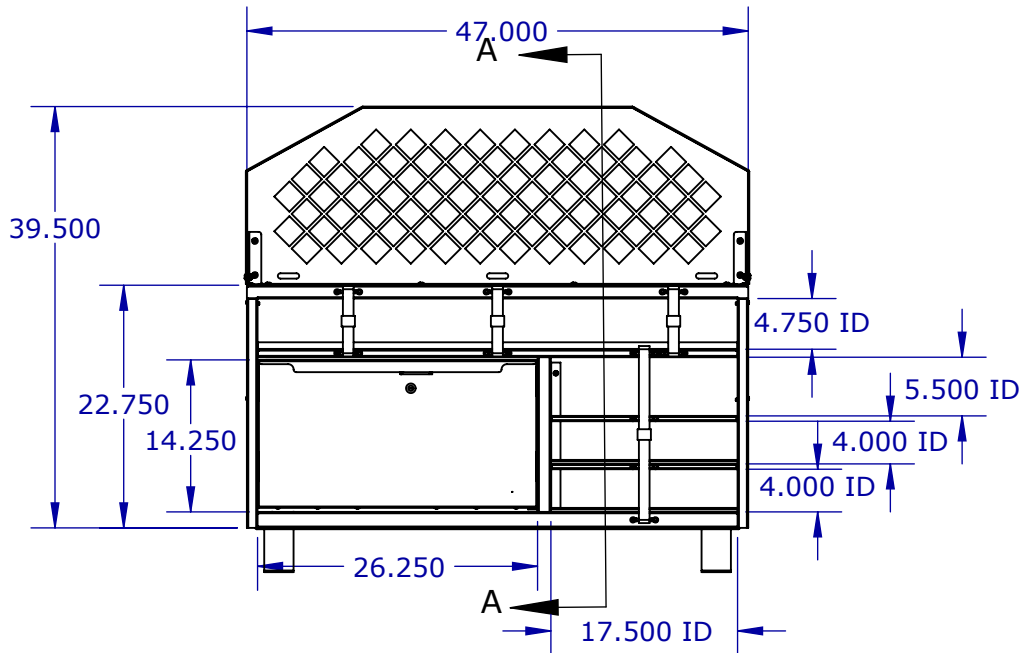
- TIE-DOWN HOOKS
- STRAPS INCLUDED

BARRIER:

- 2" DIAMOND CUT-OUTS IN PANEL
- PAINTED BLACK



1.5" PAN FOR RADIO EQUIPMENT AT BACK



| ITEM NO. | PART NUMBER | DESCRIPTION | QTY. | Revision |
|----------|-------------|---------------------------|------|----------|
| 1 | 1125786 | CABINET ASSEMBLY | 1 | - |
| 2 | 1125776 | DRAWER ASSEMBLY - 14.25"H | 1 | - |
| 3 | 1126378 | BARRIER ASSEMBLY | 1 | - |

NOTE: SECOND ROW OF SEATS MIGHT NEED TO BE ADJUSTED TO FIT THE PRODUCT



PH:(613)530.3419
FAX:(613)546.5489

DESCRIPTION
CVE DRAWER SERIES

PART NO.
CTU-22.754740-500

| | NAME | DATE |
|---------|------|----------|
| DRAWN | AG | 11/17/17 |
| CHECKED | - | - |

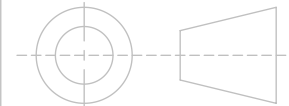
NOT RELEASED

PROPERTIES

MATERIAL: ALUMINIUM
THICKNESS:
FINISH: NONE
WEIGHT: 190.969 LB

TOLERANCES UNLESS OTHERWISE SPECIFIED:

X.X ± 0.025
X.XX ± 0.010
X.XXX ± 0.005



DO NOT SCALE DRAWING

PROPRIETARY AND CONFIDENTIAL
THE INFORMATION CONTAINED IN THIS DRAWING IS THE SOLE PROPERTY OF EZSTAK LLC. ANY REPRODUCTION IN PART OR AS A WHOLE WITHOUT THE WRITTEN PERMISSION OF EZSTAK LLC IS PROHIBITED.

SIZE **A** REV **C3**

SCALE: 1:18 SHEET 1 OF 1

UNIT: IPS

Deburr All Edges