

CTU COMBO DRAWER UNIT

- ALUMINUM CONSTRUCTION
- 1.5" CARGO RAIL AROUND SIDES AND BACK
- CUSTOM BRACKETS INCLUDED

STORAGE DRAWER

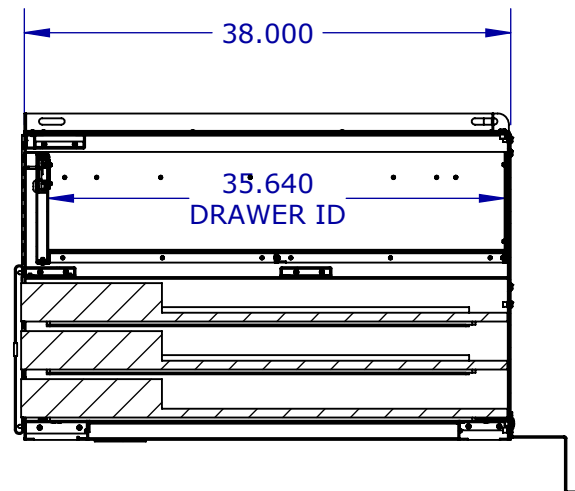
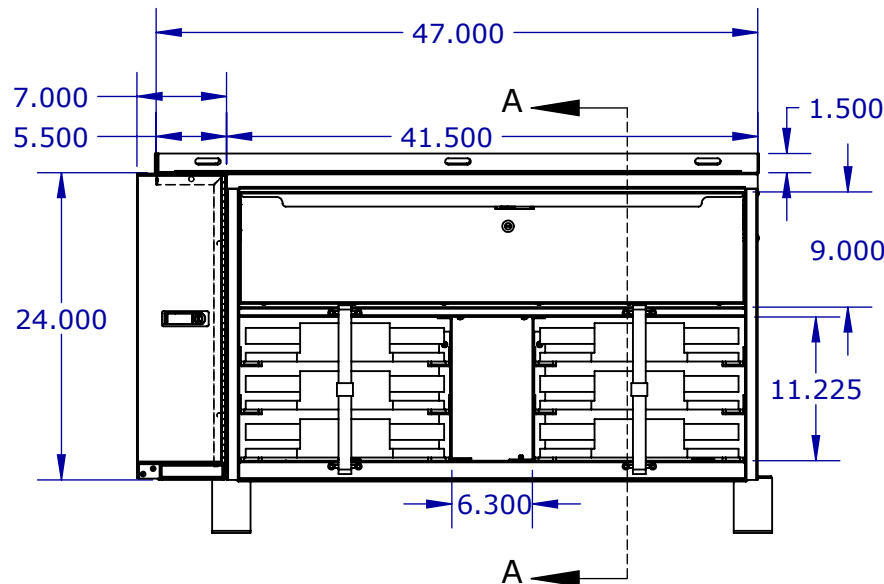
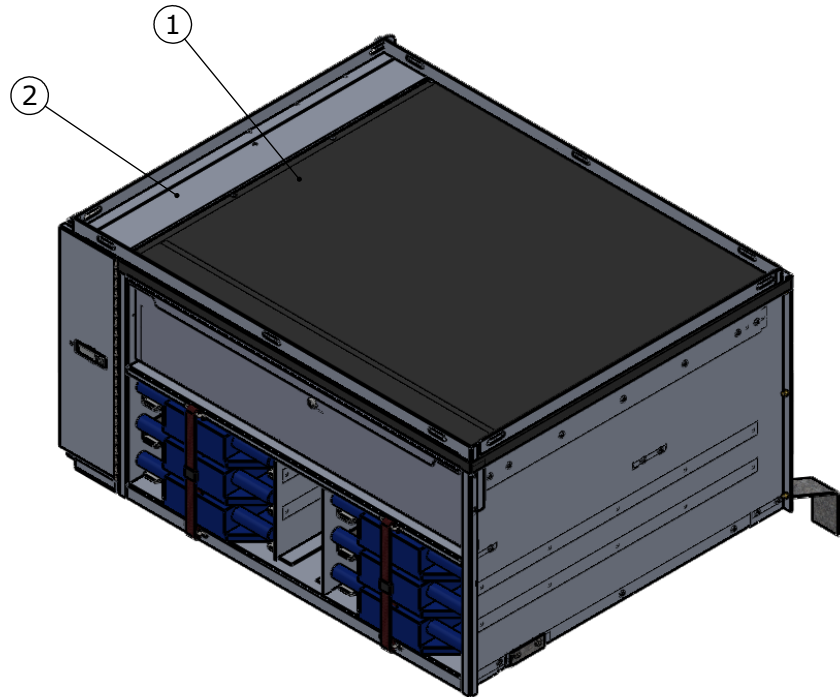
- ANTI SKID LINER ON TOP
- 9"H X 41.5"W X 38"D
- 200 LBS SLIDES
- 2 X SIDE-TO-SIDE DIVIDERS
- RUBBER MATTING

DRIVER SIDE GUN BOX

- 24"H X 7"W X 38" D
- TRIGGER LATCH
- 1X FIXED SHELF

SCALE STORAGE AREA

- 6X SCALE UNITS
- STRAPS TO HOLD SCALES



SECTION A-A



PH:(613)530.3419
FAX:(613)546.5489

**DESCRIPTION
COMBO CVE
DRAWER SERIES**

**PART NO.
CTU-244736-301**

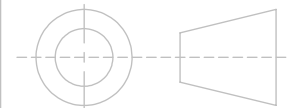
	NAME	DATE
DRAWN	JB	07/27/2017
CHECKED	-	-
NOT RELEASED		

PROPERTIES

MATERIAL:	N/A
THICKNESS:	N/A
FINISH	NONE
WEIGHT:	350.745 LB

TOLERANCES UNLESS OTHERWISE SPECIFIED:

X.X	± 0.025
X.XX	± 0.010
X.XXX	± 0.005



DO NOT SCALE DRAWING

PROPRIETARY AND CONFIDENTIAL
THE INFORMATION CONTAINED IN THIS DRAWING IS THE SOLE PROPERTY OF EZSTAK LLC. ANY REPRODUCTION IN PART OR AS A WHOLE WITHOUT THE WRITTEN PERMISSION OF EZSTAK LLC IS PROHIBITED.

SIZE **A** REV **C1**

SCALE: 1:15 SHEET 1 OF 2

UNIT: IPS

Deburr All Edges

ITEM NO.	PART NUMBER	DESCRIPTION	QTY.	Revision
1	1119898	STACKED DRAWER SERIES	1	C5
2	1119997	DS GUN BOX - ASSEMBLY	1	01

DESCRIPTION
COMBO DRAWER
SERIES

PART NO.
CTU-244736-301

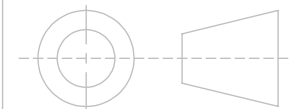
	NAME	DATE
DRAWN	JB	07/27/2017
CHECKED	-	-
NOT RELEASED		

PROPERTIES

MATERIAL:	N/A
THICKNESS:	N/A
FINISH	NONE
WEIGHT:	350.745 LB

TOLERANCES UNLESS OTHERWISE SPECIFIED:

X.X	± 0.025
X.XX	± 0.010
X.XXX	± 0.005



DO NOT SCALE DRAWING

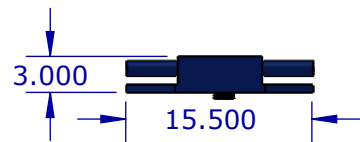
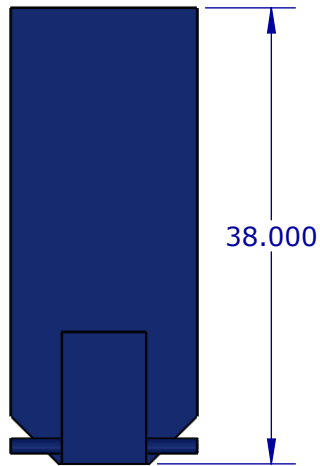
PROPRIETARY AND CONFIDENTIAL
THE INFORMATION CONTAINED IN THIS DRAWING IS THE SOLE PROPERTY OF EZSTAK LLC. ANY REPRODUCTION IN PART OR AS A WHOLE WITHOUT THE WRITTEN PERMISSION OF EZSTAK LLC IS PROHIBITED.

SIZE **A** REV **C1**

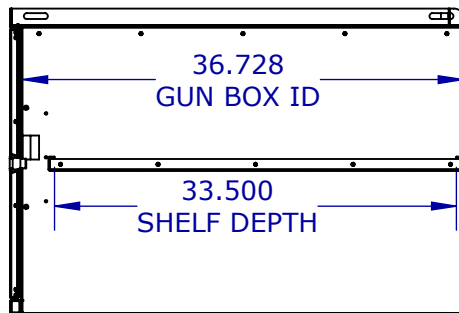
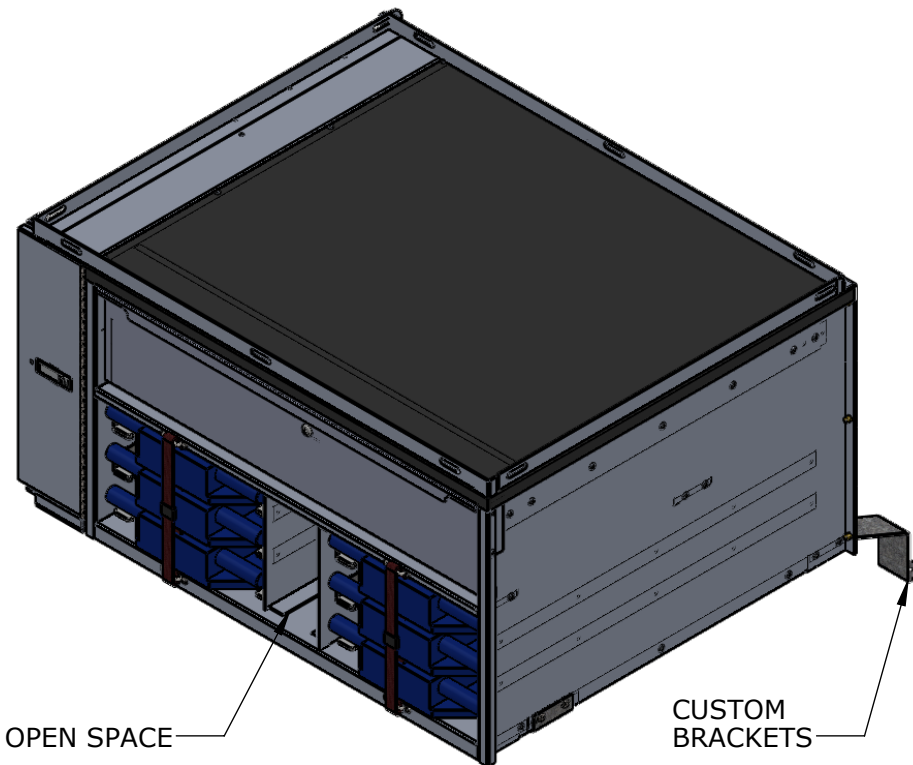
SCALE: 1:16 SHEET 2 OF 2

UNIT: IPS

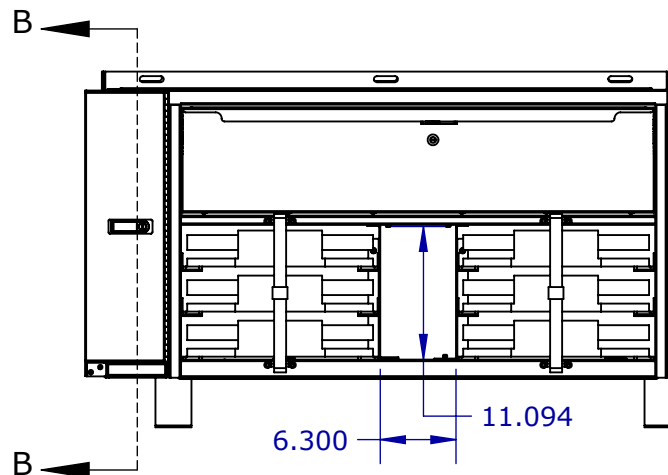
Deburr All Edges



CROSS-CHECK SCALE DIMENSIONS



SECTION B-B



B