

**NOTES:**

- ALUMINUM CONSTRUCTION

**CABINET**

- ANTI-SKID LINER ON TOP
- MOUNTING TIE DOWNS AND BUCKLES INCLUDED

**DRAWER**

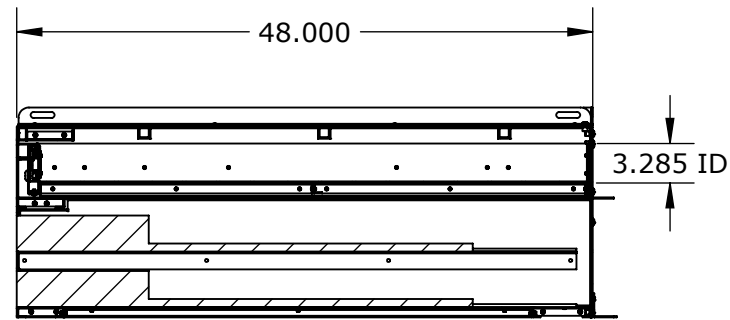
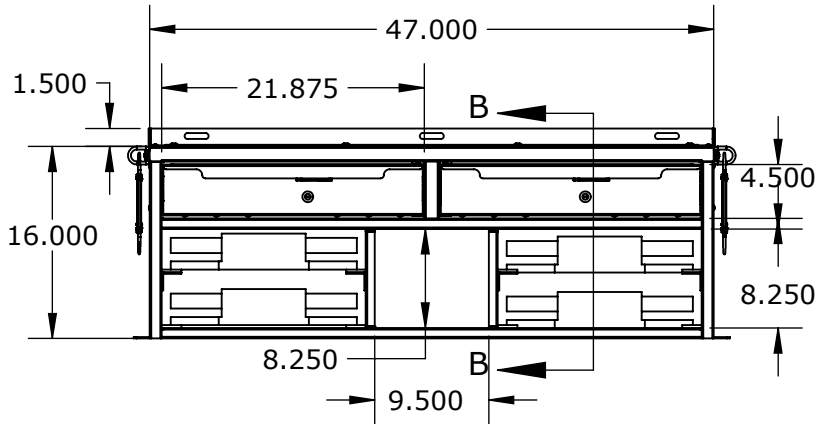
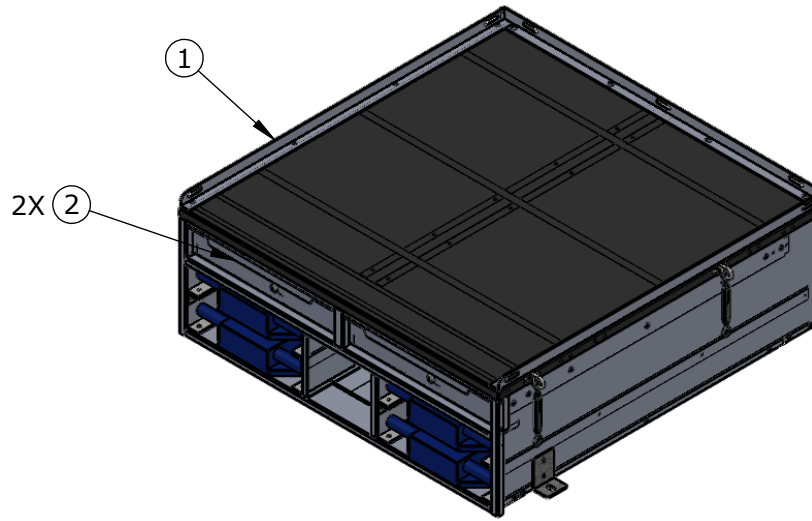
- DUAL DRAWERS
- KEY LOCK CYLINDER
- 500LBS DRAWER SLIDES
- RUBBER MATING (OPTIONAL)

**SCALE STORAGE**

- OPEN SCALE STORAGE BOX TO FIT 4 SCALES

**OPEN COMPARTMENT:**

- 9.5" X 8.25" OPEN SPACE IN MIDDLE



SECTION B-B



PH:(613)530.3419  
FAX:(613)546.5489

**DESCRIPTION**  
**ORGANIZER SERIES -**  
**SCALE UNIT**

**PART NO.**  
**TDU-164748-500**

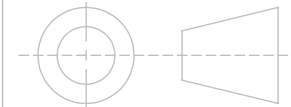
	NAME	DATE
DRAWN	JB	05/25/2017
CHECKED	-	-
<b>NOT RELEASED</b>		

**PROPERTIES**

MATERIAL: ALUMINIUM  
THICKNESS: N/A  
FINISH: NONE  
WEIGHT: 321.878 LB

TOLERANCES UNLESS OTHERWISE SPECIFIED:

X.X ± 0.025  
X.XX ± 0.010  
X.XXX ± 0.005



DO NOT SCALE DRAWING

**PROPRIETARY AND CONFIDENTIAL**

THE INFORMATION CONTAINED IN THIS DRAWING IS THE SOLE PROPERTY OF EZSTAK LLC. ANY REPRODUCTION IN PART OR AS A WHOLE WITHOUT THE WRITTEN PERMISSION OF EZSTAK LLC IS PROHIBITED.

SIZE **A**      REV **C2**

SCALE: 1:16    SHEET 1 OF 2

UNIT: IPS

**Deburr All Edges**

ITEM NO.	PART NUMBER	DESCRIPTION	QTY.	Revision
1	1106430	CABINET ASSEMBLY	1	01
2	1106491	DRAWER ASSEMBLY - 6.5"H	2	01

**DESCRIPTION**  
**ORGANIZER SERIES -**  
**SCALE UNIT**

**PART NO.**  
**TDU-164748-500**

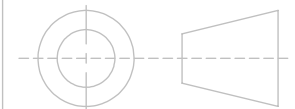
	NAME	DATE
DRAWN	JB	05/25/2017
CHECKED	-	-
<b>NOT RELEASED</b>		

**PROPERTIES**

MATERIAL: ALUMINIUM  
THICKNESS: N/A  
FINISH: NONE  
WEIGHT: 321.878 LB

TOLERANCES UNLESS OTHERWISE SPECIFIED:

X.X ± 0.025  
X.XX ± 0.010  
X.XXX ± 0.005



DO NOT SCALE DRAWING

**PROPRIETARY AND CONFIDENTIAL**

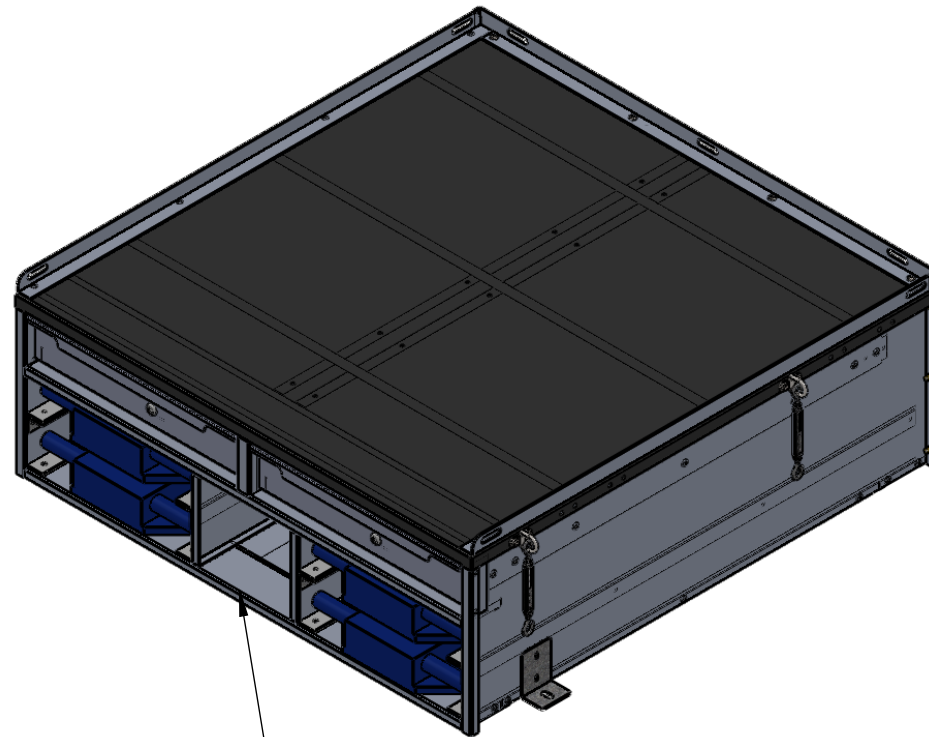
THE INFORMATION CONTAINED IN THIS DRAWING IS THE SOLE PROPERTY OF EZSTAK LLC. ANY REPRODUCTION IN PART OR AS A WHOLE WITHOUT THE WRITTEN PERMISSION OF EZSTAK LLC IS PROHIBITED.

SIZE **A** REV **C2**

SCALE: 1:16 SHEET 2 OF 2

UNIT: IPS

**Deburr All Edges**



OPEN COMPARTMENT  
9.5"X8.25"

**SCALE DIMENSION**

