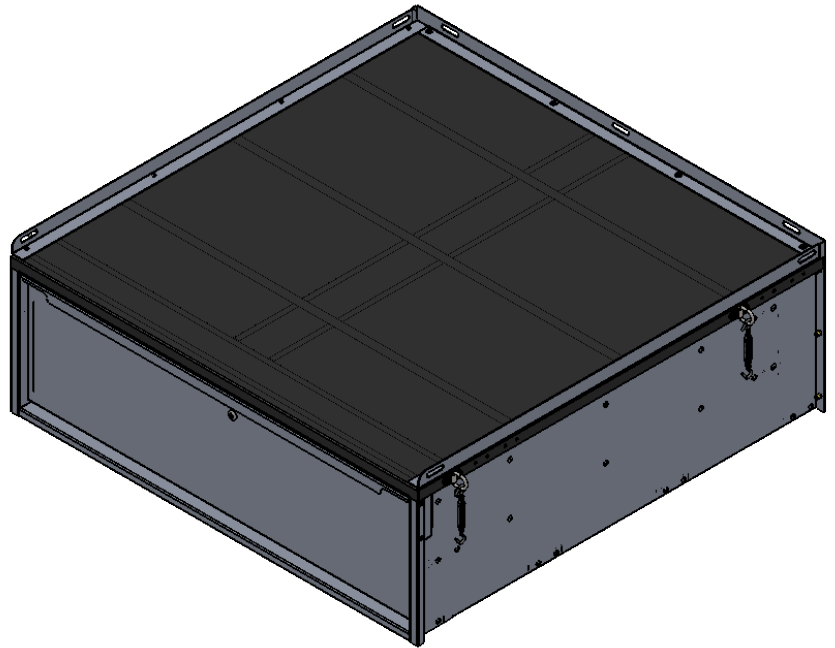
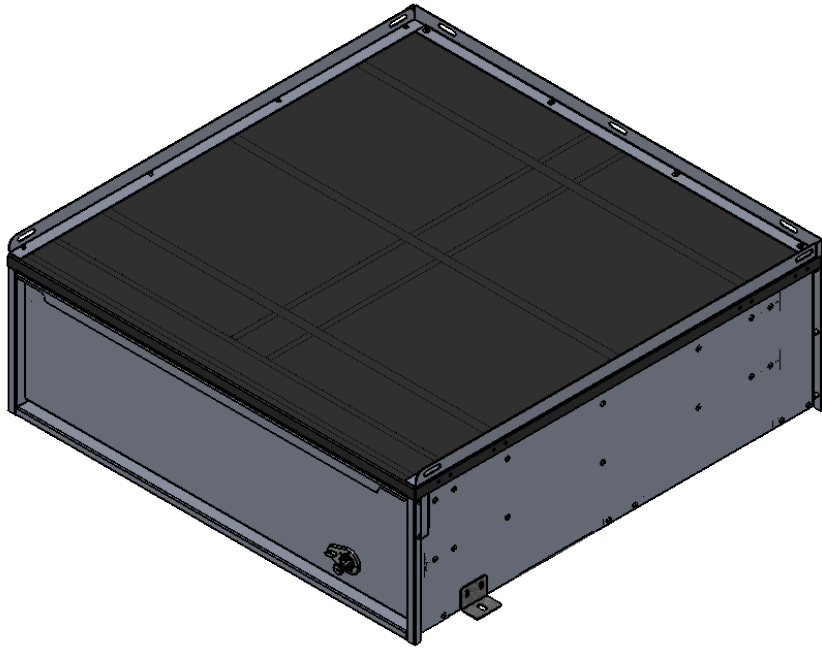
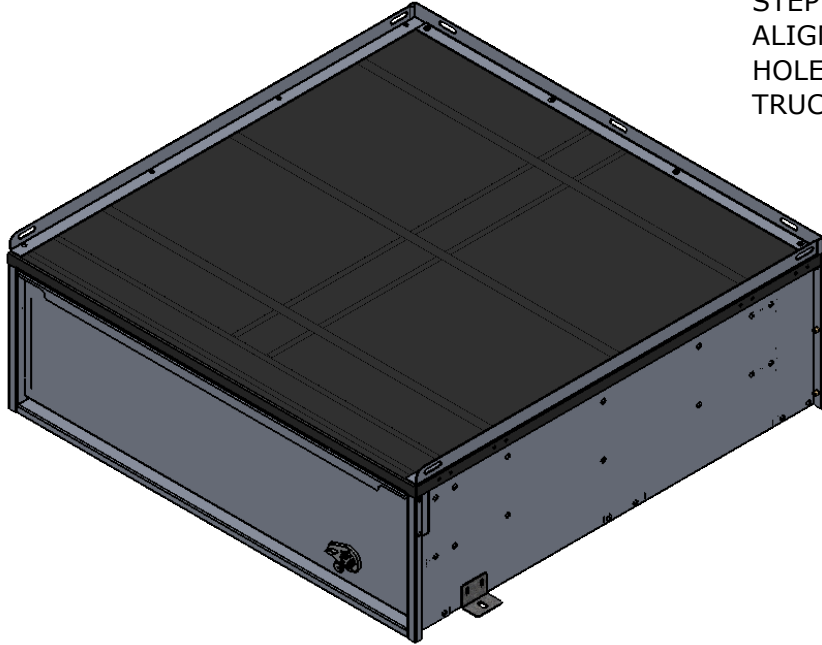


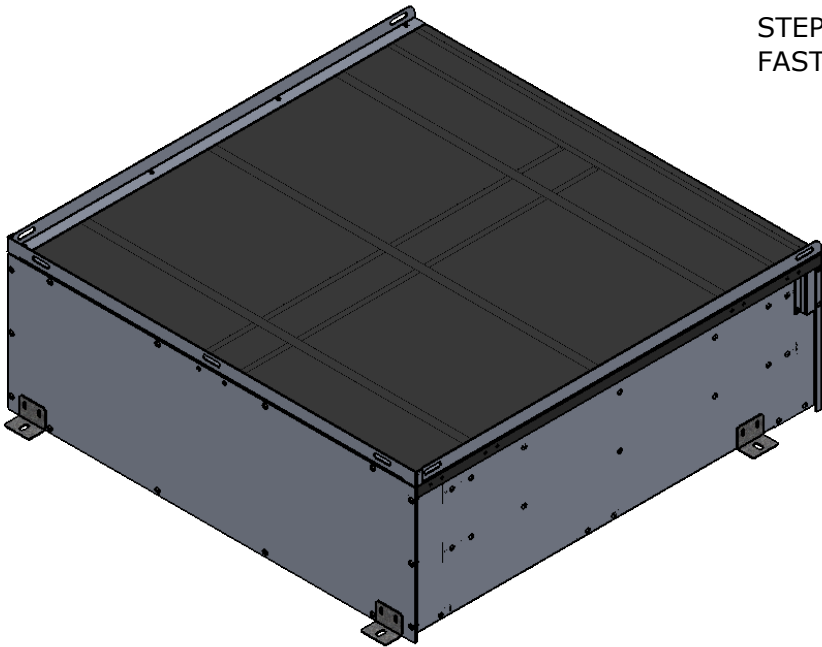
TDU INSTALLATION INSTRUCTIONS



TDU INSTALLATION WITH MOUNTING BRACKETS



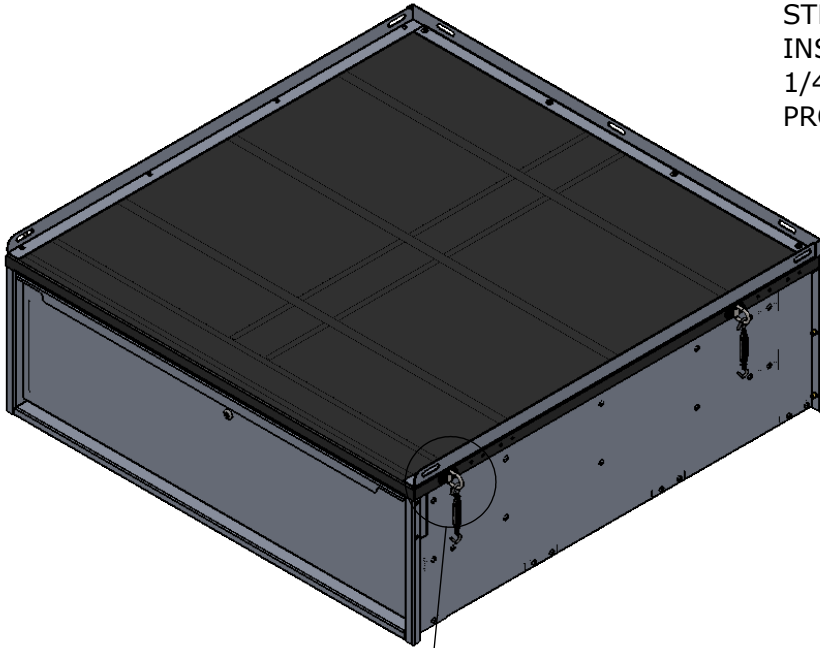
STEP 1:
ALIGN UNIT IN CORRECT POSITION AND DRILL
HOLES FOR MOUNTING BRACKETS IN BOTH THE
TRUCK BED AND CABINET



STEP 2:
FASTEN UNIT TO VEHICLE USING BOLTS

TDU INSTALLATION WITH TURNBUCKLES

STEP 1:
INSTALL THE D-RINGS TO SIDE OF CABINET USING 1/4" BOLTS AND NUTS. MULTIPLE HOLES ARE PROVIDED FOR SUITABLE POSITIONING



STEP 2:
ADJUST THE TURNBUCKLE TO HOOK ON THE TIE-DOWN RINGS IN THE TRUCK BED

