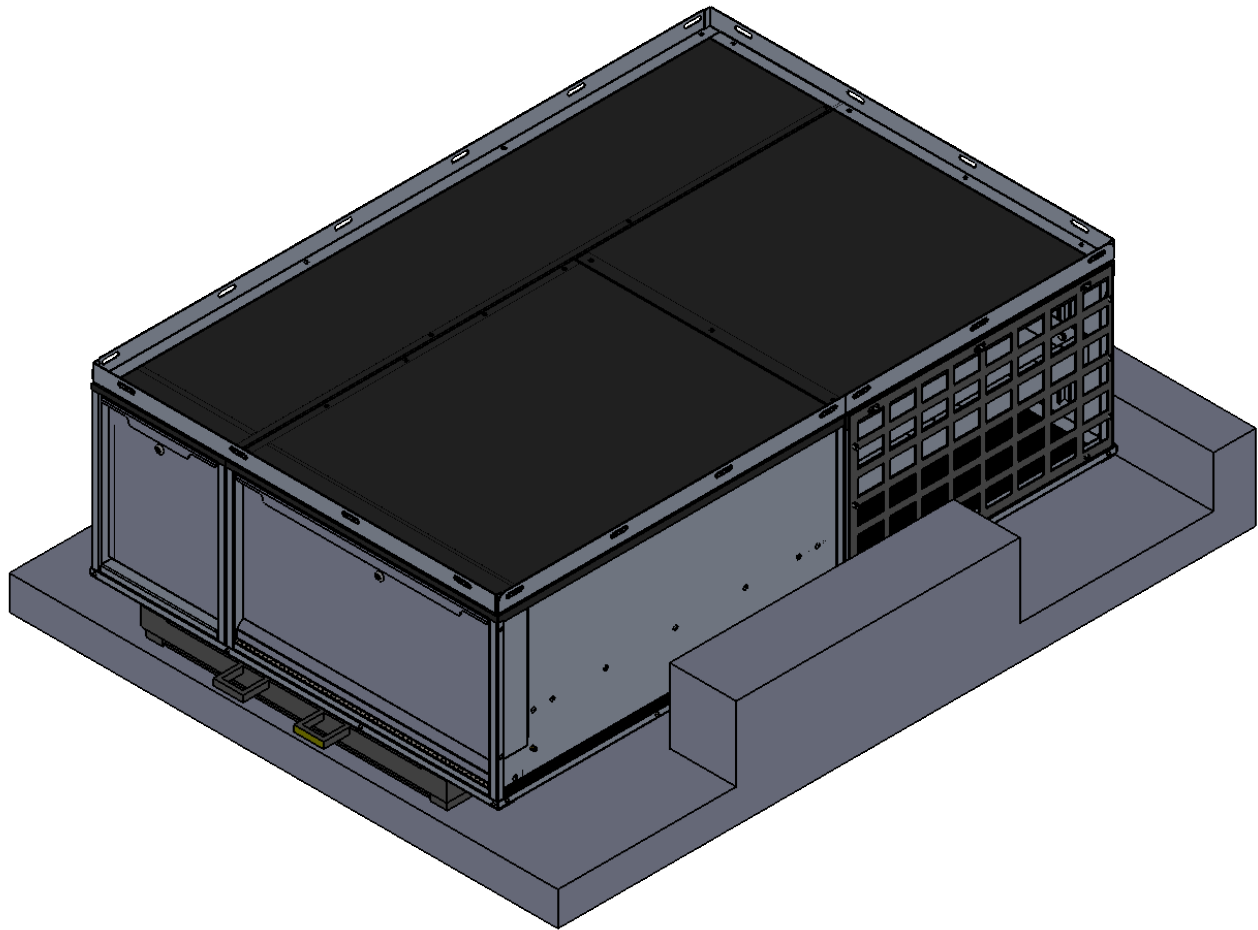
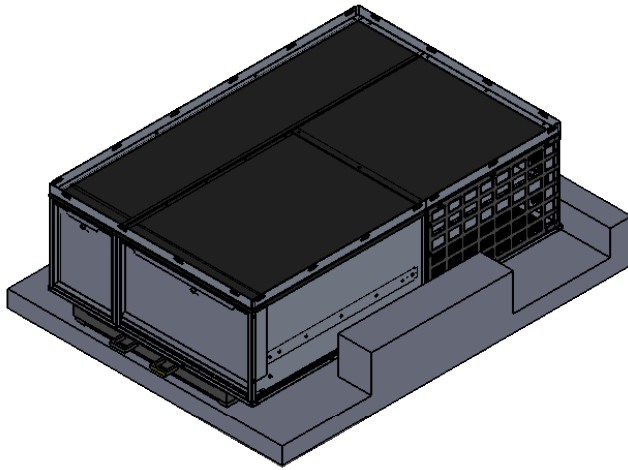
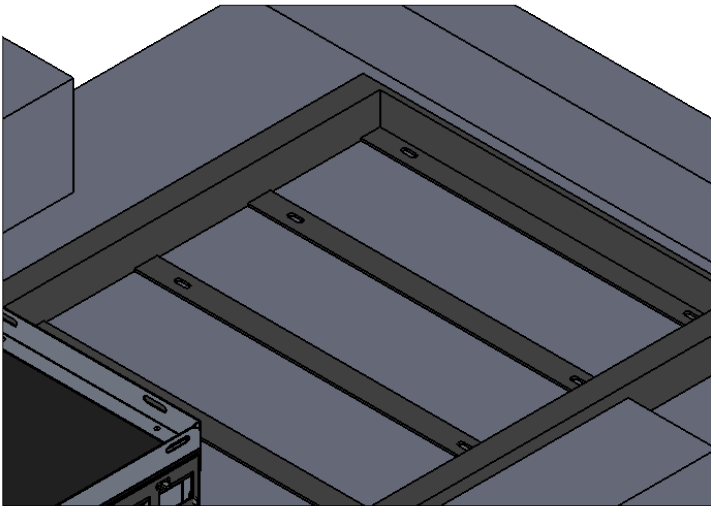


TDU ROLL-OUT SERIES INSTALLATION INSTRUCTIONS





STEP 1:
CENTRE AND ALIGN THE UNIT IN THE TRUCK BED.



STEP 2:
PARTIALLY EXTEND THE UNIT SO YOU CAN SEE THE FIRST ROW OF MOUNTING HOLES. YOU MAY NEED ANOTHER PERSON TO SUPPORT THE UNIT. DRILL THROUGH THE TRUCK BED IN THE LOCATION OF THESE HOLES AND FASTEN USING BOLTS AND NUTS

STEP 3:
CONTINUE TO EXTEND THE UNIT INCREMENTALLY AND FASTEN THE UNIT TO THE VEHICLE USING EACH ROW OF MOUNTING HOLES

