

DESCRIPTION
TRUCK BOX UNIT

PART NO.
TBU-134848-001

	NAME	DATE
DRAWN	AH	1/11/2019
CHECKED	AH	Apr 18, 2019

RELEASED TO PRODUCTION

PROPERTIES

MATERIAL: ALUMINIUM
THICKNESS: -
FINISH: NONE
WEIGHT: 205.632 LB

TOLERANCES UNLESS OTHERWISE SPECIFIED:

X.X ± 0.025
X.XX ± 0.010
X.XXX ± 0.005
X/X ± 1/32
X° ± 1°



DO NOT SCALE DRAWING

PROPRIETARY AND CONFIDENTIAL

THE INFORMATION CONTAINED IN THIS DRAWING IS THE SOLE PROPERTY OF EZSTAK LLC. ANY REPRODUCTION IN PART OR AS A WHOLE WITHOUT THE WRITTEN PERMISSION OF EZSTAK LLC IS PROHIBITED.

SIZE **B** REV **01**

SCALE: 1:10 SHEET 1 OF 2

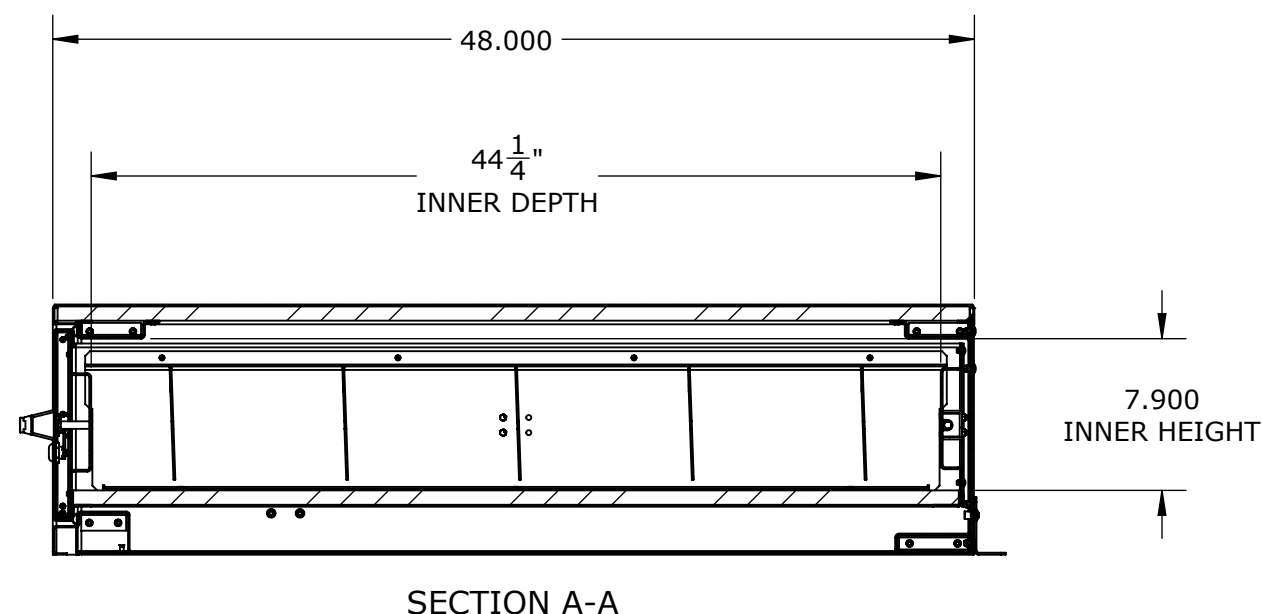
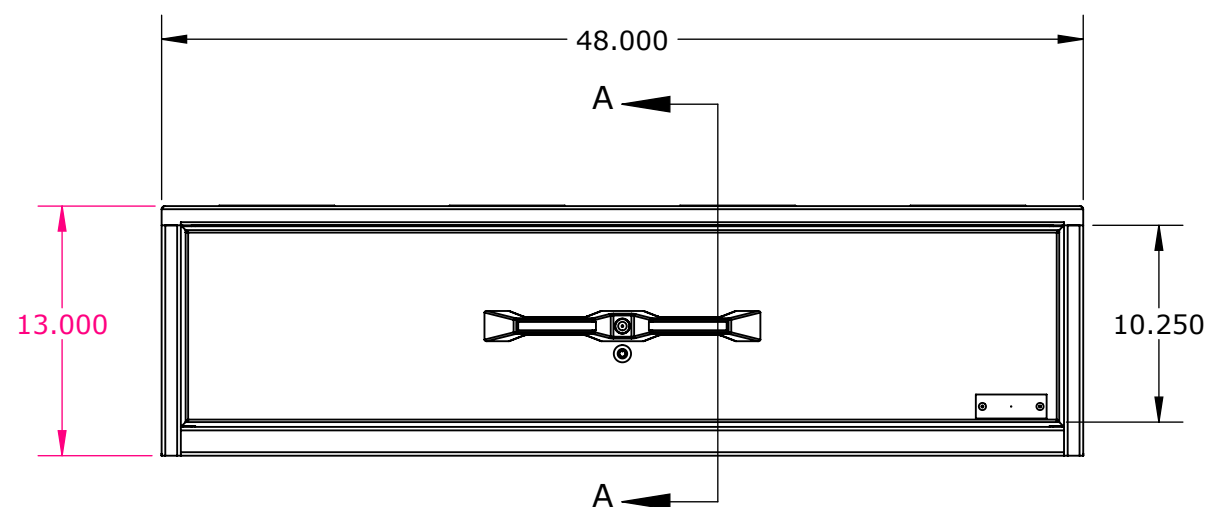
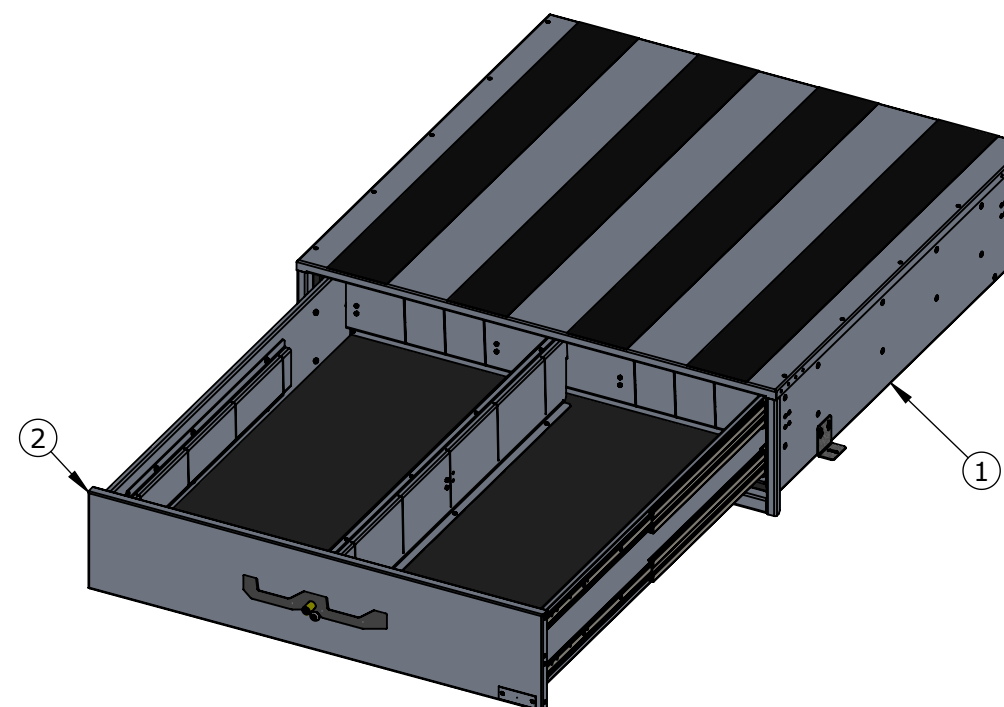
UNIT: IPS

Deburr All Edges

NOTES

- ALUMINUM CONSTRUCTION
- CABINET**
- 750LBS CAPACITY TO TOP
 - STANDARD 'L' BRACKET MOUNTING

- DRAWER**
- 450LBS CAPACITY
 - LOCK IN/LOCK OUT 42" EXTENSION
 - OPTIONAL SIDE TO SIDE DIVIDERS AVAILABLE (MAX 8)
 - OPTIONAL FRON TO BACK DIVIDERS AVAILABLE (MAX 6)



ITEM NO.	PART NUMBER	DESCRIPTION	Default/QTY.	Revision
1	ASM6000165	CABINET ASSEMBLY	1	01
2	ASM6000166	DRAWER ASSEMBLY	1	01

DISCLAIMER: By signing and dating this document, I agree that all specifications, notes and dimensions are clear, correct and in accordance with intended product use, content fit and function and product envelope fit and function. I understand this agreement to be binding and accept that any future change requests will be charged as additional work and managed through revision of this document. All custom orders cannot be cancelled and merchandise cannot be returned. If an order is cancelled by the purchaser after the order has been released to production, EZ STAK reserves the right to charge an order cancellation fee of 40% in addition to the normal restocking fee of 20%.

Signature: _____ Date: _____

DESCRIPTION
TRUCK BOX UNIT

PART NO.
TBU-134848-001

	NAME	DATE
DRAWN	AH	1/11/2019
CHECKED	AH	Apr 18, 2019

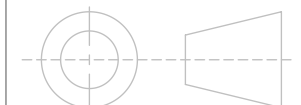
RELEASED TO PRODUCTION

PROPERTIES

MATERIAL: ALUMINIUM
THICKNESS: -
FINISH: NONE
WEIGHT: 205.632 LB

TOLERANCES UNLESS OTHERWISE SPECIFIED:

X.X ± 0.025
X.XX ± 0.010
X.XXX ± 0.005
X/X ± 1/32
X° ± 1°



DO NOT SCALE DRAWING

PROPRIETARY AND CONFIDENTIAL

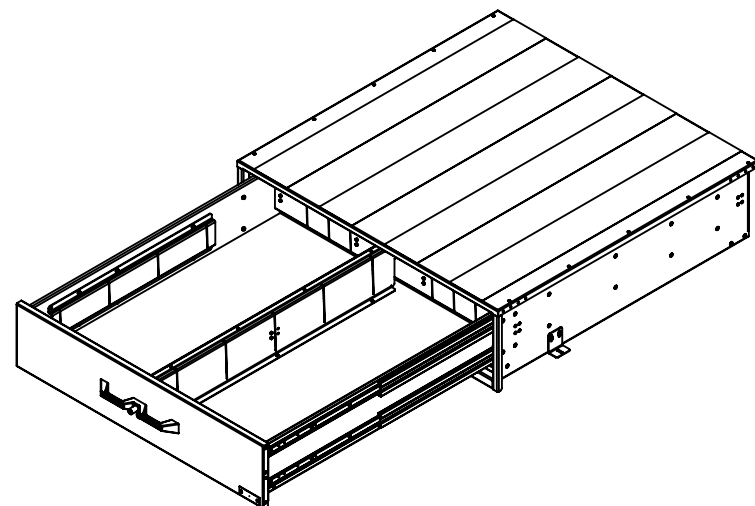
THE INFORMATION CONTAINED IN THIS DRAWING IS THE SOLE PROPERTY OF EZSTAK LLC. ANY REPRODUCTION IN PART OR AS A WHOLE WITHOUT THE WRITTEN PERMISSION OF EZSTAK LLC IS PROHIBITED.

SIZE **B** REV **01**

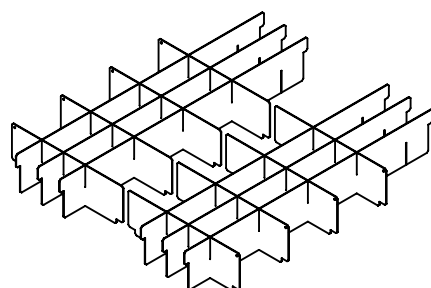
SCALE: 1:25 SHEET 2 OF 2

UNIT: IPS

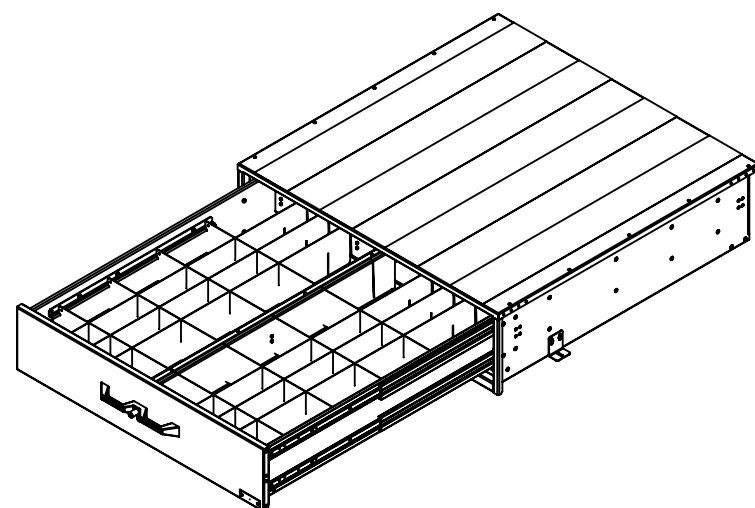
Deburr All Edges



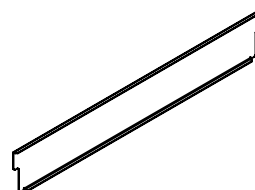
1340112
KIT, EGG CRT, TBU-134848-001



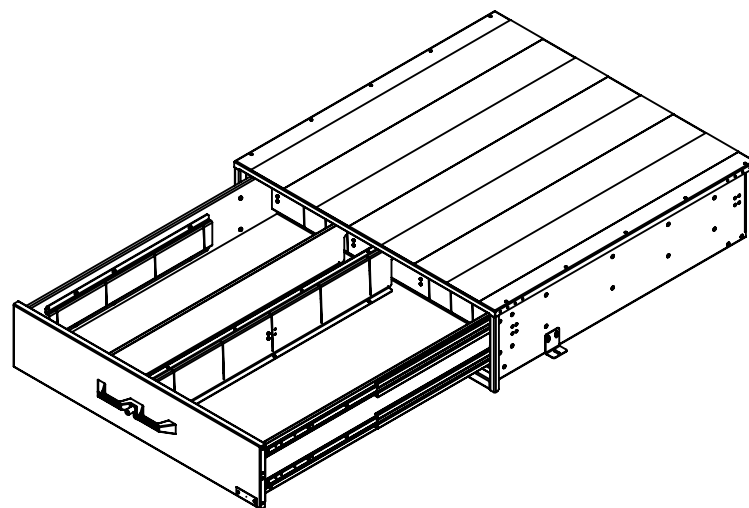
MAX 1



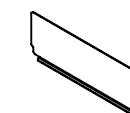
1302293
FB DIVIDER



MAX 6



1302303
SxS DIVIDER



MAX 8

