

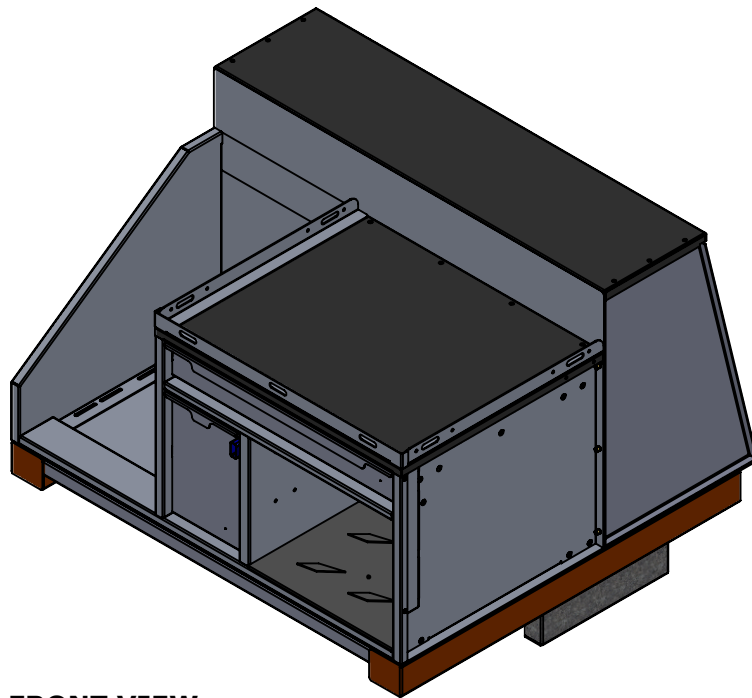
DESCRIPTION
FEU ORGANIZER SERIES

PROPERTIES

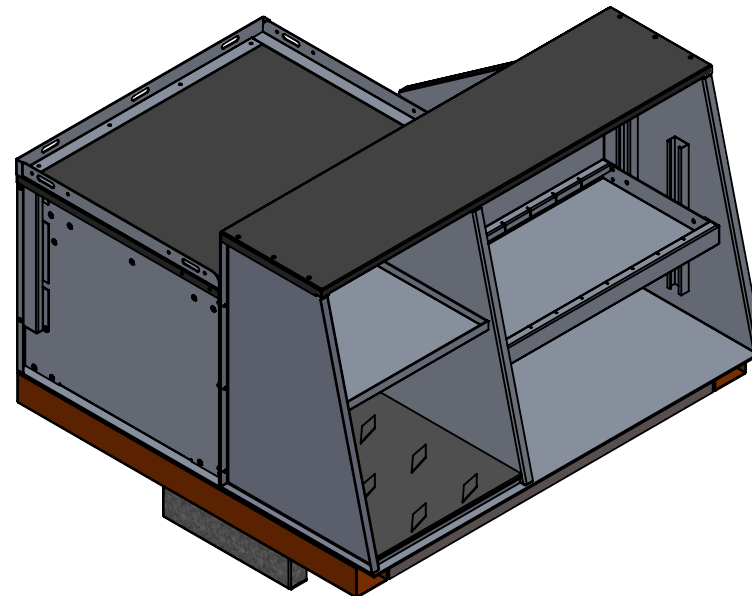
MATERIAL: ALUMINIUM
WEIGHT: 201.898 LB

**PROPRIETARY AND
CONFIDENTIAL**

THE INFORMATION
CONTAINED IN THIS
DRAWING IS THE SOLE
PROPERTY OF EZSTAK LLC
ANY REPRODUCTION IN
PART OR AS A WHOLE
WITHOUT THE WRITTEN
PERMISSION OF EZSTAK LLC
IS PROHIBITED.



FRONT VIEW



REAR VIEW