

NOTES:

- ALUMINUM CONSTRUCTION
- CABINET
- ANTI-SKID LINER ON TOP
 - 1.5" CARGO RAIL AROUND SIDES AND BACK

TOP DRAWER

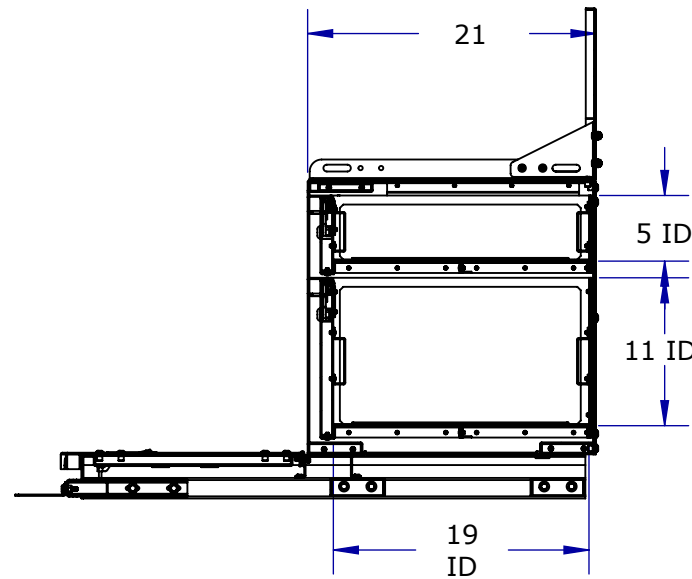
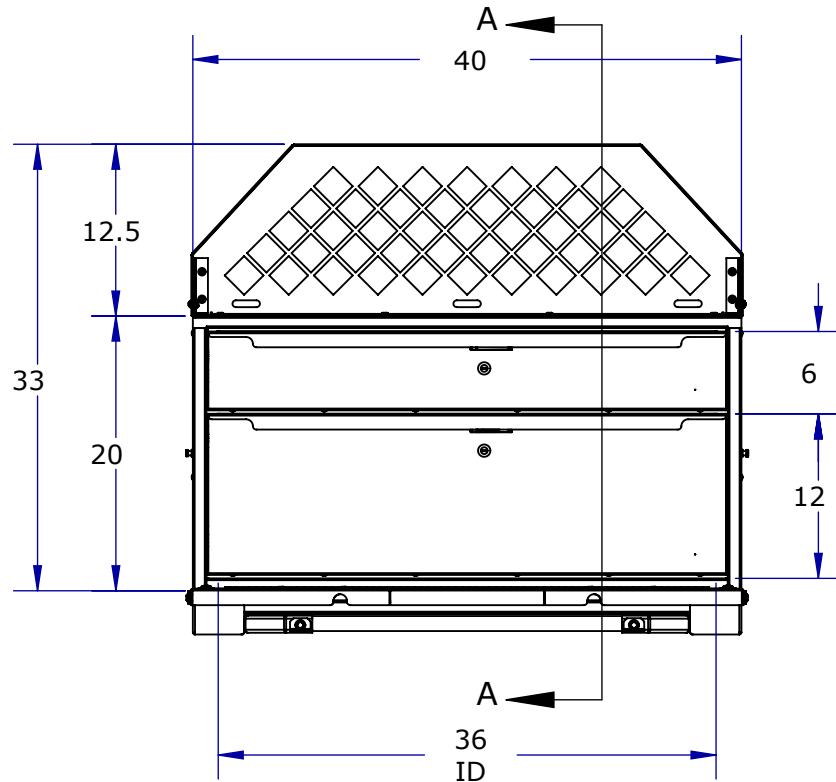
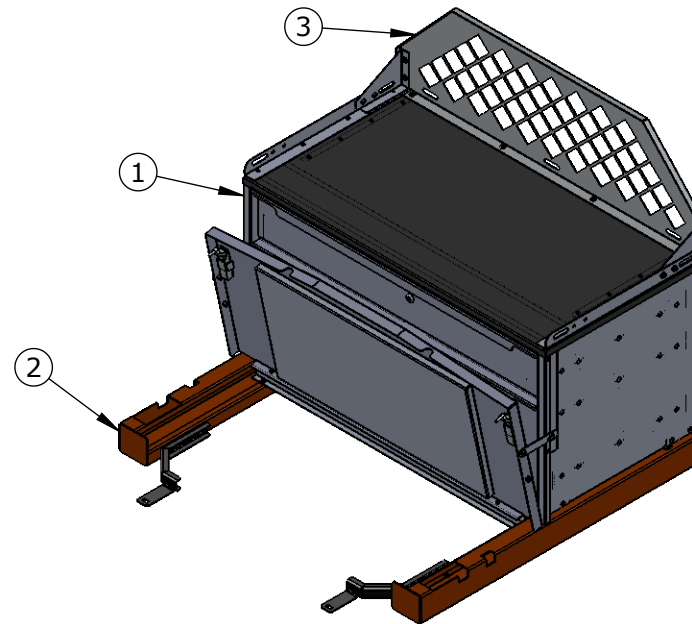
- KEY LOCKING
- 200LBS DRAWER SLIDES
- 2X FRONT-TO-BACK DIVIDERS
- RUBBER MAT

BOTTOM DRAWER

- KEY LOCKING
- 2X 200LBS DRAWER SLIDES
- 2X FRONT-TO-BACK DIVIDERS
- RUBBER MAT

FIU BASE:

- FLIP-UP DOOR
- REMOVABLE EQUIPMENT TRAY



SECTION A-A



PH:(613)530.3419
FAX:(613)546.5489

DESCRIPTION
FIU STACKED UNIT

PART NO.
4352-A00

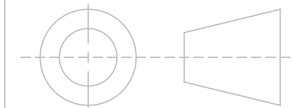
	NAME	DATE
DRAWN	VS	06/15/18
CHECKED	DDR	Jun 18, 2018
RELEASED TO PRODUCTION		

PROPERTIES

MATERIAL: N/A
THICKNESS: N/A
FINISH
WEIGHT: 157.125 LB

TOLERANCES UNLESS OTHERWISE SPECIFIED:

X.X ±0.025
X.XX ±0.010
X.XXX ±0.005



DO NOT SCALE DRAWING

PROPRIETARY AND CONFIDENTIAL

THE INFORMATION CONTAINED IN THIS DRAWING IS THE SOLE PROPERTY OF EZSTAK LLC. ANY REPRODUCTION IN PART OR AS A WHOLE WITHOUT THE WRITTEN PERMISSION OF EZSTAK LLC IS PROHIBITED.

SIZE **A** REV **01**

SCALE: 1:14 SHEET 1 OF 1

UNIT: IPS

Deburr All Edges

ITEM NO.	PART NUMBER	DESCRIPTION	OPEN DOOR/QTY.	Revision
1	FIU-204021-200	FIU STACKED DRAWER SERIES	1	02
2	FI-0004	FIU INSTALL BASE - FLIP TOP	1	04
3	BR-12.54005-102	BARRIER ASSEMBLY	1	05