

NOTES:

- ALUMINUM CONSTRUCTION
- FORD EXPEDITION INSTALL BASE
- 0.1875" BASE PLATE

CABINET:

- ANTI SKID LINER ON TOP
- 1.5" CARGO RAILS AROUND ALL PERIMETER
- 17"W X 24"D OPEN STORAGE ON FRONT DS

TOP DRAWER (4"H):

- 200LB SLIDES, DETACHABLE
- HINGED UP WHITEBOARD

BOTTOM DRAWER (13"H):

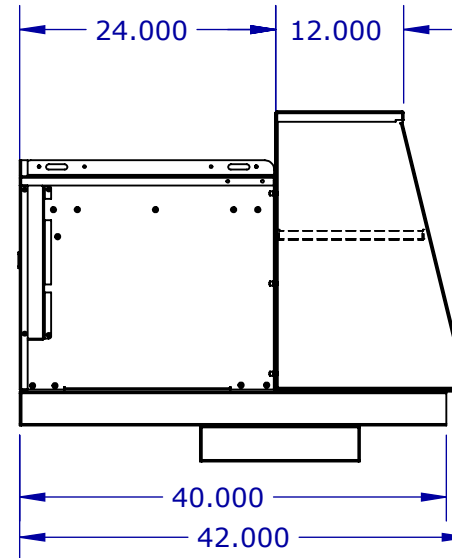
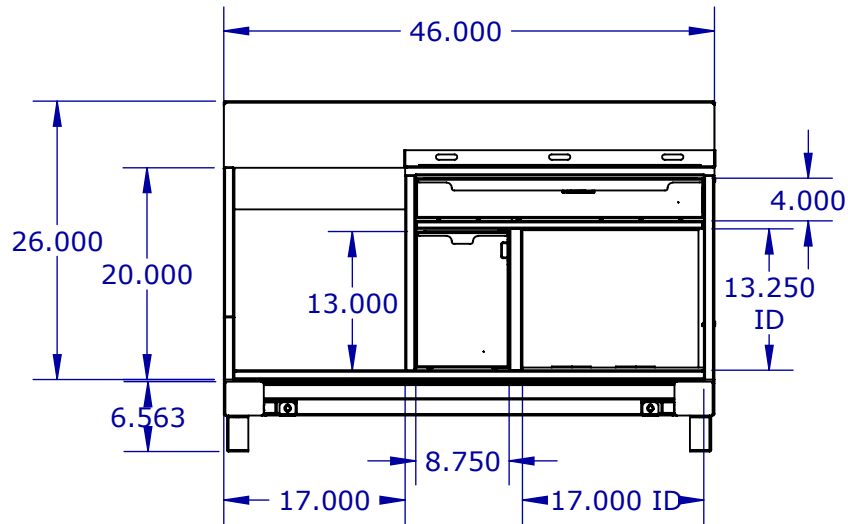
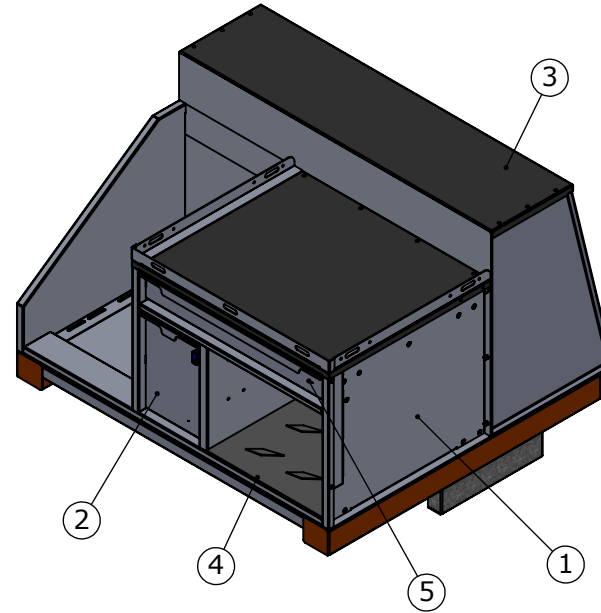
- 500LB SLIDES (LH REG SLIDE, RH LILO SLIDE)

OPEN STORAGE ON PS:

- 13.25"H X 17"W X 42"D OPEN STORAGE ON PS
- 0.25" CHECKER STYLE RUBBER MAT

REAR SHELF UNIT:

- 1X FIXED SHELF (1"H X 17"W 12"D) ON PASSENGER SIDE PLACED 13.25" FROM FLOOR
- 1X ADJUSTABLE SHELF (2"H X 27"W X 12"D) ON DRIVER SIDE



ITEM NO.	PART NUMBER	DESCRIPTION	Default/QTY.
1	1163192	CABINET ASSEMBLY	1
2	1163248	DRAWER ASSEMBLY- 13"H	1
3	1163383	CUSTOM SHELF ASSEMBLY	1
4	FE-0003	FEU BASE	1
5	1186045	WHITEBOARD DRAWER ASSEMBLY - 4"H	1

NOTES:

- NO SPARE TIRE ACCESS POSSIBLE

DISCLAIMER: By signing and dating this document, I agree that all specifications, notes and dimensions are clear, correct and in accordance with intended product use, content fit and function and product envelope fit and function. I understand this agreement to be binding and accept that any future change requests will be charged as additional work and managed through revision of this document.

Signature: _____

Date: _____



PH:(613)530.3419
FAX:(613)546.5489

DESCRIPTION

Fire Response Unit 1

PART NO.

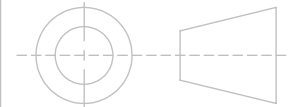
4024-A02

PROPERTIES

MATERIAL: ALUMINIUM
THICKNESS: _____
FINISH: NONE
WEIGHT: 201.898 LB

TOLERANCES UNLESS OTHERWISE SPECIFIED:

X.X ± 0.025
X.XX ± 0.010
X.XXX ± 0.005



DO NOT SCALE DRAWING

PROPRIETARY AND CONFIDENTIAL

THE INFORMATION CONTAINED IN THIS DRAWING IS THE SOLE PROPERTY OF EZSTAK LLC. ANY REPRODUCTION IN PART OR AS A WHOLE WITHOUT THE WRITTEN PERMISSION OF EZSTAK LLC IS PROHIBITED.

SIZE **A** REV **C4**

SCALE: 1:18 SHEET 1 OF 2

UNIT: IPS

Deburr All Edges



PH:(613)530.3419
FAX:(613)546.5489

DESCRIPTION
Fire Response Unit 1

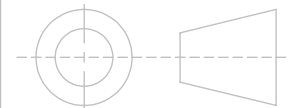
PART NO.
4024-A02

PROPERTIES

MATERIAL: ALUMINIUM
THICKNESS: -
FINISH NONE
WEIGHT: 201.898 LB

TOLERANCES UNLESS OTHERWISE SPECIFIED:

X.X ± 0.025
X.XX ± 0.010
X.XXX ± 0.005



DO NOT SCALE DRAWING

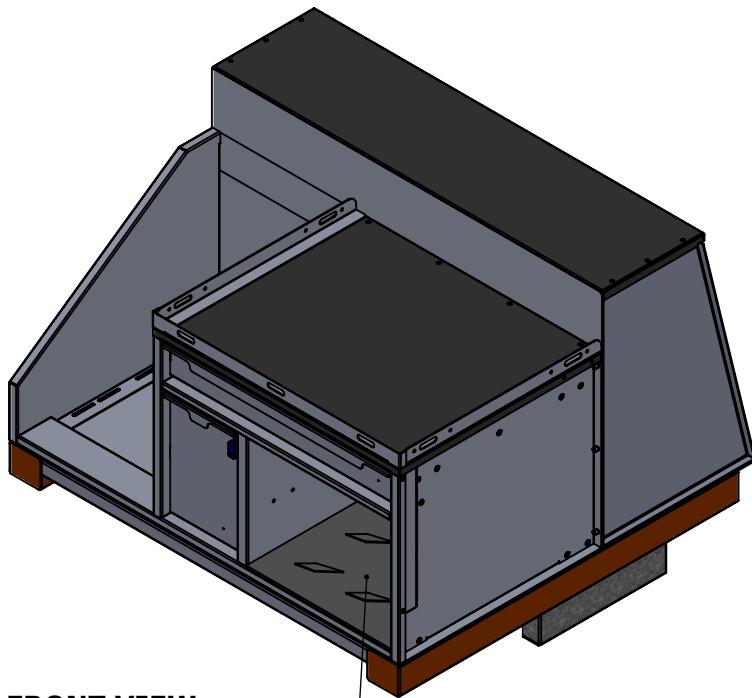
PROPRIETARY AND CONFIDENTIAL
THE INFORMATION CONTAINED IN THIS DRAWING IS THE SOLE PROPERTY OF EZSTAK LLC. ANY REPRODUCTION IN PART OR AS A WHOLE WITHOUT THE WRITTEN PERMISSION OF EZSTAK LLC IS PROHIBITED.

SIZE REV
A -

SCALE: 1:16 SHEET 2 OF 2

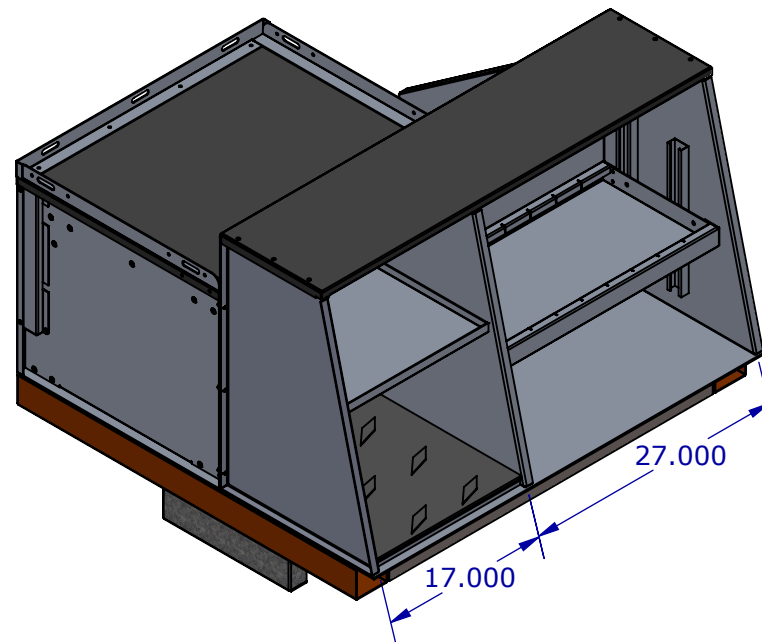
UNIT: IPS

Deburr All Edges



FRONT VIEW

FULL DEPTH COMPARTMENT



REAR VIEW

DISCLAIMER: By signing and dating this document, I agree that all specifications, notes and dimensions are clear, correct and in accordance with intended product use, content fit and function and product envelope fit and function. I understand this agreement to be binding and accept that any future change requests will be charged as additional work and managed through revision of this document.

Signature: _____ Date: _____