

CABINET:

- ANTI-SKID LINER ON TOP
- TAHOE REAR MOUNTING BRACKETS ONLY
- 1.5" CARGO RAIL AROUND SIDES AND TOP

TOP DRAWER 6"H:

- 200 LBS REMOVABLE SLIDES

MIDDLE DRAWER 12"H:

- 2X 200 LBS REMOVABLE SLIDES

BOTTOM DRAWER 4"H (RIGHT):

- 200 LBS REMOVABLE SLIDES
- HINGED UP WHITEBOARD

MIDDLE COMPARTMENT:

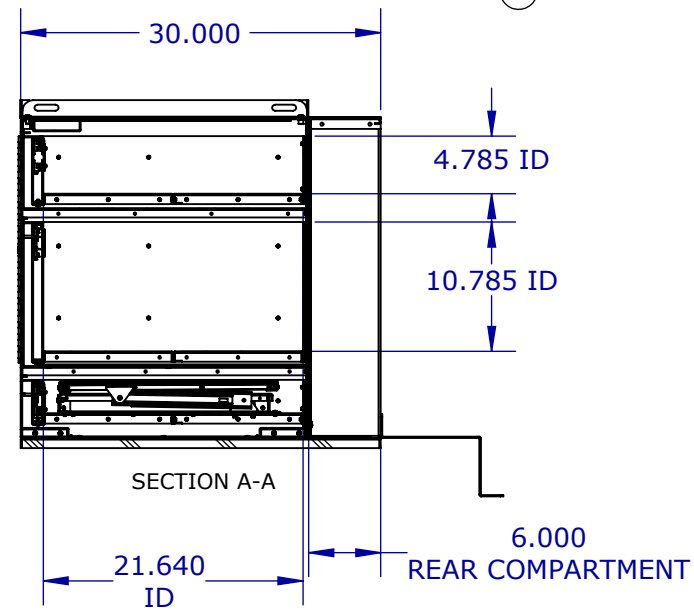
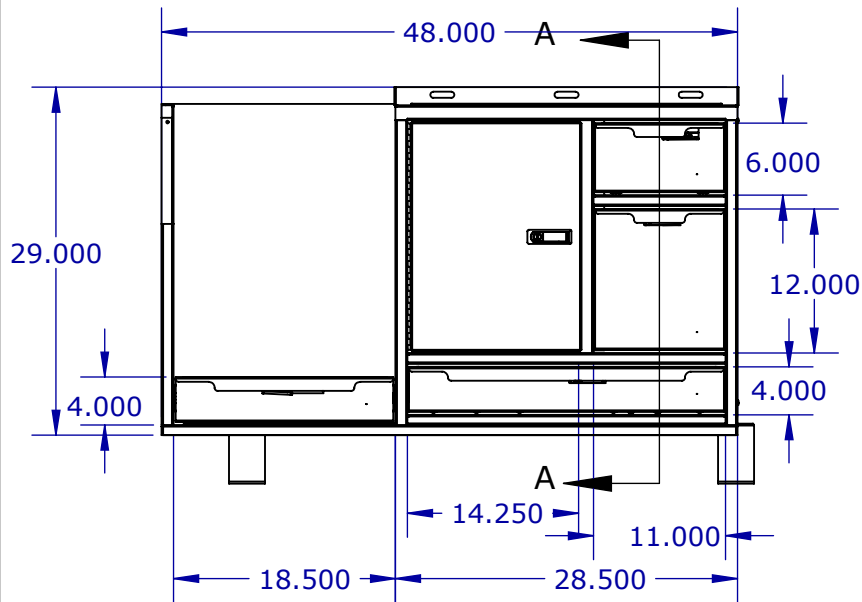
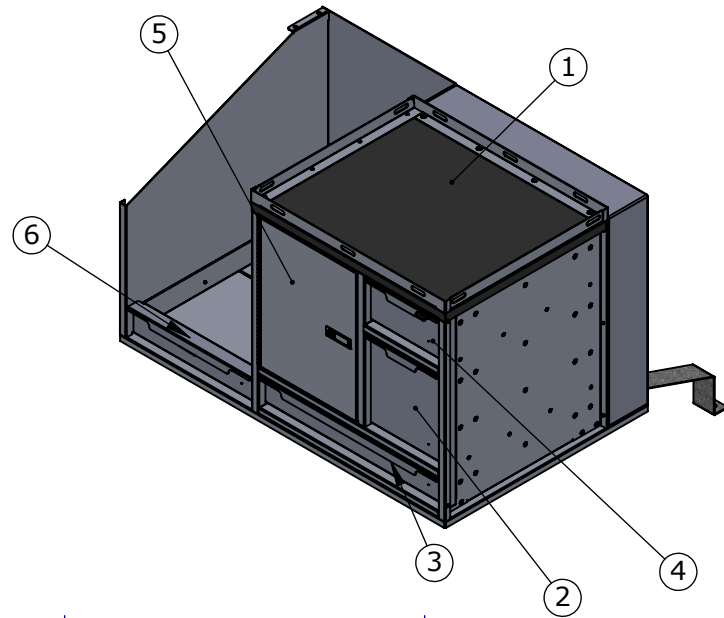
- 19"H x 14.75" W x 24"D
- SOLID LEFT HINGED DOOR
- LOCKING TRIGGER LATCH

BOTTOM OPEN TRAY 4"H (LEFT):

- 200 LBS REMOVABLE SLIDES

REAR RADIO COMPARTMENT

- 6" DEEP RADIO COMPARTMENT ACCESS FROM REAR SEATS



ITEM NO.	PART NUMBER	DESCRIPTION	QTY.	Revision
1	1161401	CABINET ASSEMBLY	1	01
2	1161391	DRAWER ASSEMBLY - 12"H	1	01
3	1161422	DRAWER ASSEMBLY (WB) - 4"H	1	01
4	1161446	DRAWER ASSEMBLY - 6"H	1	-
5	1161460	HINGED DOOR ASSEMBLY	1	-
6	1161464	DRAWER ASSEMBLY - 6"H	1	-

DISCLAIMER: By signing and dating this document, I agree that all specifications, notes and dimensions are clear, correct and in accordance with intended product use, content fit and function and product envelope fit and function. I understand this agreement to be binding and accept that any future change requests will be charged as additional work and managed through revision of this document.

Signature: _____

Date: _____



PH:(613)530.3419
FAX:(613)546.5489

DESCRIPTION

Fire Response Unit 2

PART NO.

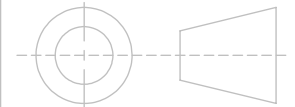
3993-A01

PROPERTIES

MATERIAL: ALUMINIUM
THICKNESS: N/A
FINISH: NONE
WEIGHT: 207.849 LB

TOLERANCES UNLESS OTHERWISE SPECIFIED:

X.X ± 0.025
X.XX ± 0.010
X.XXX ± 0.005



DO NOT SCALE DRAWING

PROPRIETARY AND CONFIDENTIAL

THE INFORMATION CONTAINED IN THIS DRAWING IS THE SOLE PROPERTY OF EZSTAK LLC. ANY REPRODUCTION IN PART OR AS A WHOLE WITHOUT THE WRITTEN PERMISSION OF EZSTAK LLC IS PROHIBITED.

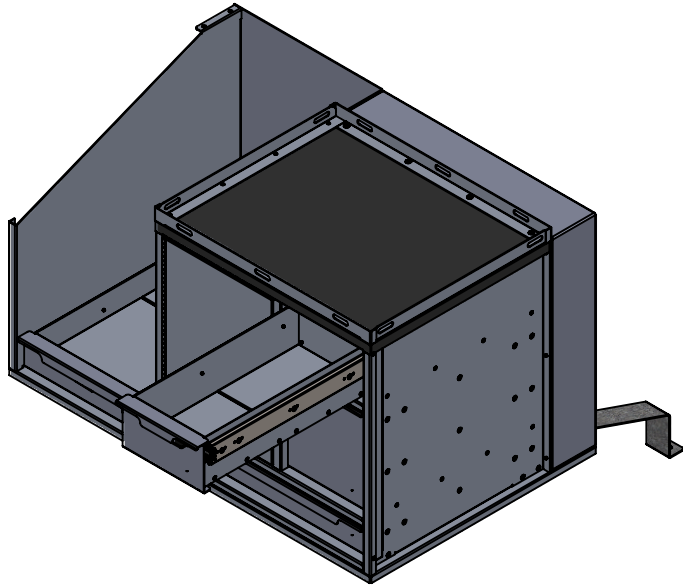
SIZE **A** REV **C3**

SCALE: 1:16 SHEET 1 OF 2

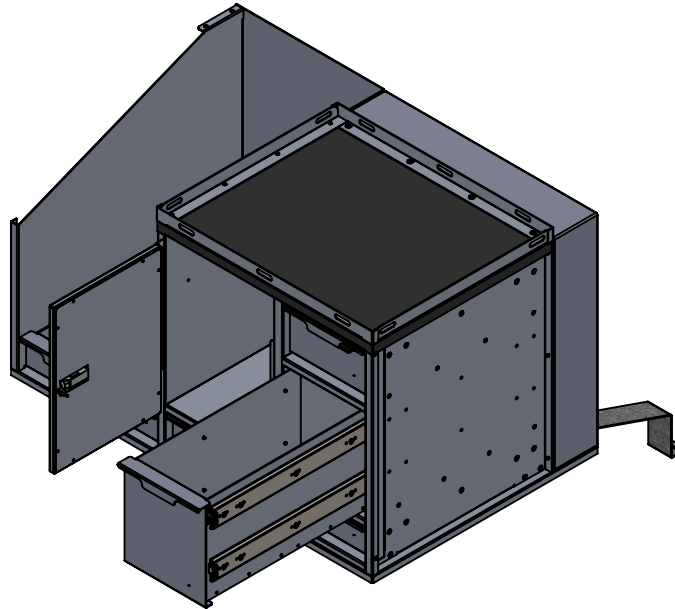
UNIT: IPS

Deburr All Edges

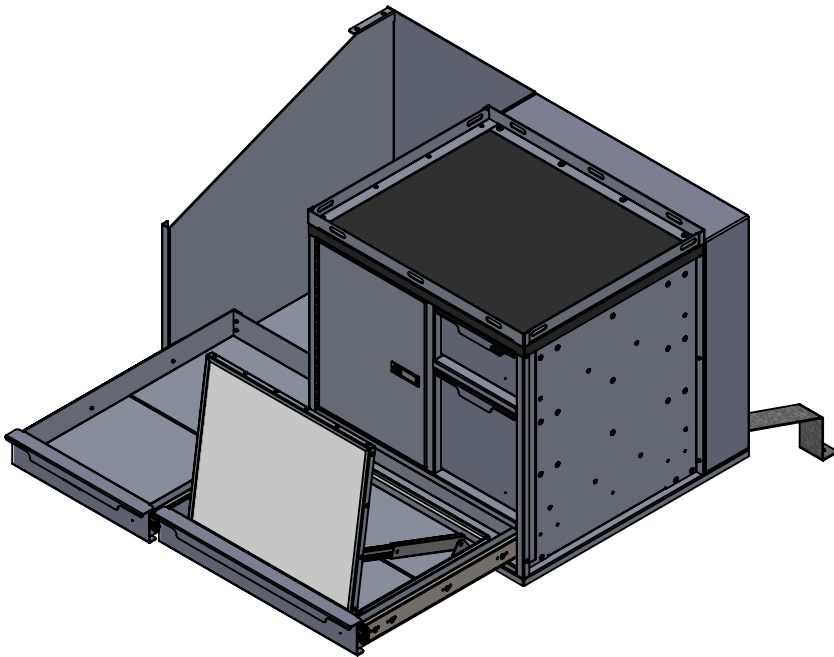
TOP DRAWER OPEN



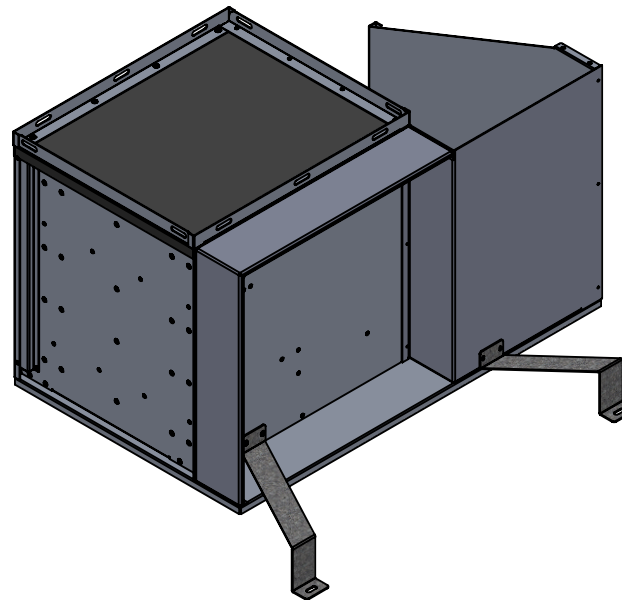
MIDDLE DRAWER AND COMPARTMENT OPEN



BOTTOM DRAWER AND TRAY OPEN



BACK VIEW



PH:(613)530.3419
FAX:(613)546.5489

DESCRIPTION
Fire Response Unit 2

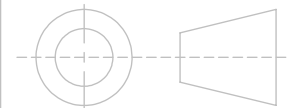
PART NO.
3993-A01

PROPERTIES

MATERIAL: ALUMINIUM
 THICKNESS: N/A
 FINISH: NONE
 WEIGHT: 207.849 LB

TOLERANCES UNLESS OTHERWISE SPECIFIED:

X.X ± 0.025
 X.XX ± 0.010
 X.XXX ± 0.005



DO NOT SCALE DRAWING

PROPRIETARY AND CONFIDENTIAL

THE INFORMATION CONTAINED IN THIS DRAWING IS THE SOLE PROPERTY OF EZSTAK LLC. ANY REPRODUCTION IN PART OR AS A WHOLE WITHOUT THE WRITTEN PERMISSION OF EZSTAK LLC IS PROHIBITED.

SIZE **A** REV **C3**

SCALE: 1:18 SHEET 2 OF 2

UNIT: IPS

Deburr All Edges

DISCLAIMER: By signing and dating this document, I agree that all specifications, notes and dimensions are clear, correct and in accordance with intended product use, content fit and function and product envelope fit and function. I understand this agreement to be binding and accept that any future change requests will be charged as additional work and managed through revision of this document.

Signature: _____ Date: _____