

NOTES:

- ALUMINUM CONSTRUCTION

CABINET:

- ANTI-SKID LINER ON TOP
- REAR CUSTOM MOUNTING BRACKET INCLUDED
- 1.5" PERFORATED RAIL AROUND SIDES
- CARGO BARRIER INCLUDED

TOP COMPARTMENT (RH):

- OPEN COMPARTMENT (6"H X 30"W) WITH QUICK RELEASE STRAP

MIDDLE (RH) DRAWERS:

- 2x 200LBS SLIDES, DETACHABLE

MIDDLE (LH) COMPARTMENT:

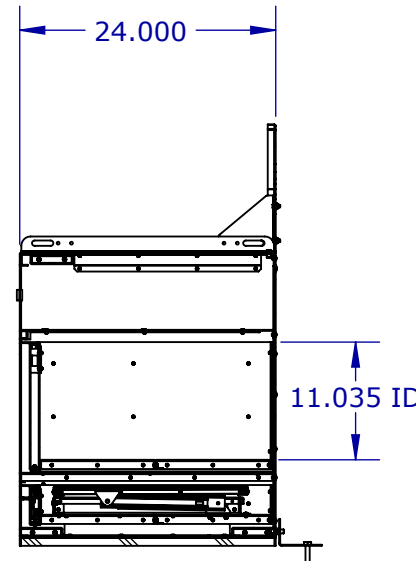
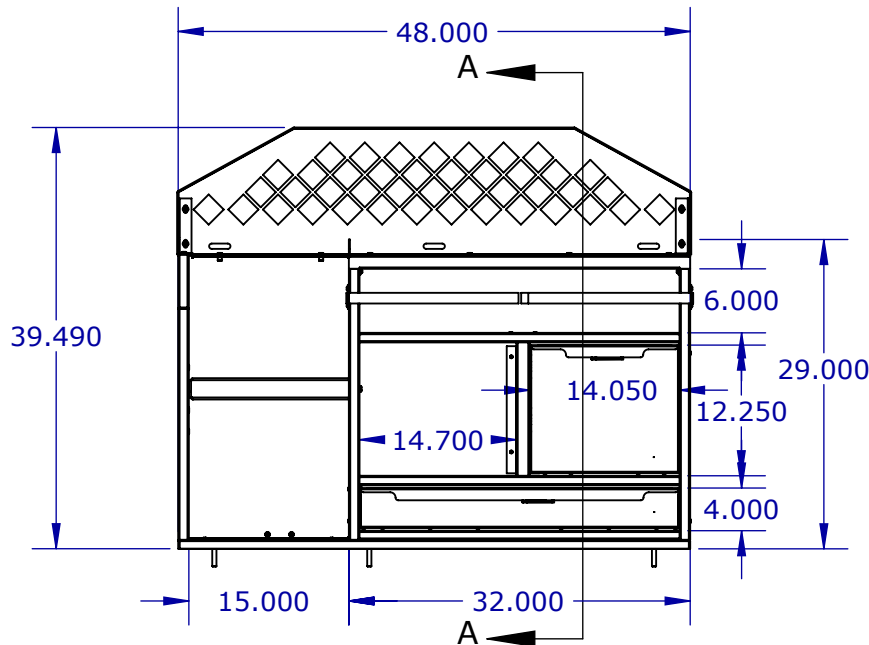
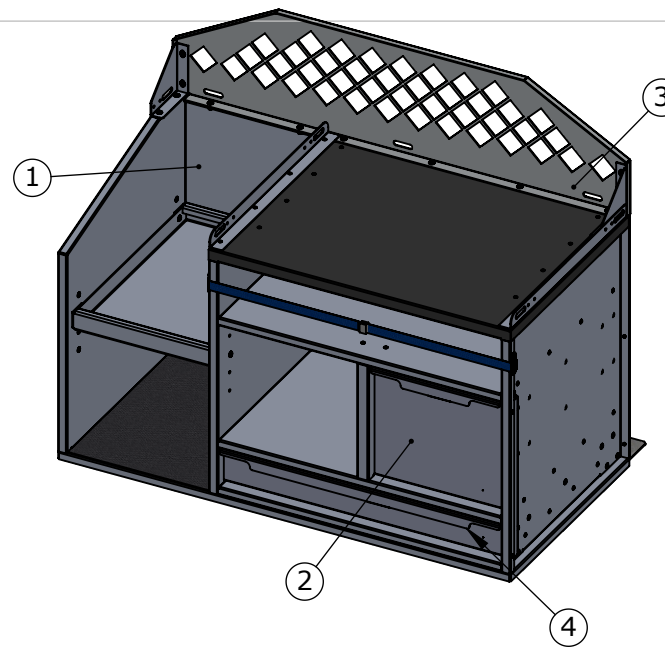
- OPEN COMPARTMENT (12.5" H X 14.7"W)

BOTTOM DRAWER:

- 200LBS SLIDES, DETACHABLE
- HINGED UP WHITEBOARD ASSEMBLY INSIDE

SCUBA TANK STORAGE AREA (LH):

- RUBBER MATTING
- ADJUSTABLE SHELF



SECTION A-A



PH:(613)530.3419
FAX:(613)546.5489

DESCRIPTION
Fire Response Unit 3

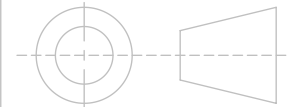
PART NO.
CTU-294824-504

PROPERTIES

MATERIAL: ALUMINIUM
THICKNESS: N/A
FINISH: NONE
WEIGHT: 186.343 LB

TOLERANCES UNLESS OTHERWISE SPECIFIED:

X.X ± 0.025
X.XX ± 0.010
X.XXX ± 0.005



DO NOT SCALE DRAWING

PROPRIETARY AND CONFIDENTIAL
THE INFORMATION CONTAINED IN THIS DRAWING IS THE SOLE PROPERTY OF EZSTAK LLC. ANY REPRODUCTION IN PART OR AS A WHOLE WITHOUT THE WRITTEN PERMISSION OF EZSTAK LLC IS PROHIBITED.

SIZE **A** REV **01**

SCALE: 1:18 SHEET 1 OF 1

UNIT: IPS

Deburr All Edges

ITEM NO.	PART NUMBER	DESCRIPTION	QTY.	Revision
1	1158686	CABINET ASSEMBLY	1	02
2	1158676	DRAWER ASSEMBLY- 12.25"H	1	-
3	1158725	BARRIER ASSEMBLY	1	-
4	1158706	DRAWER W/ WHITE BOARD ASSEMBLY - 4"H	1	-