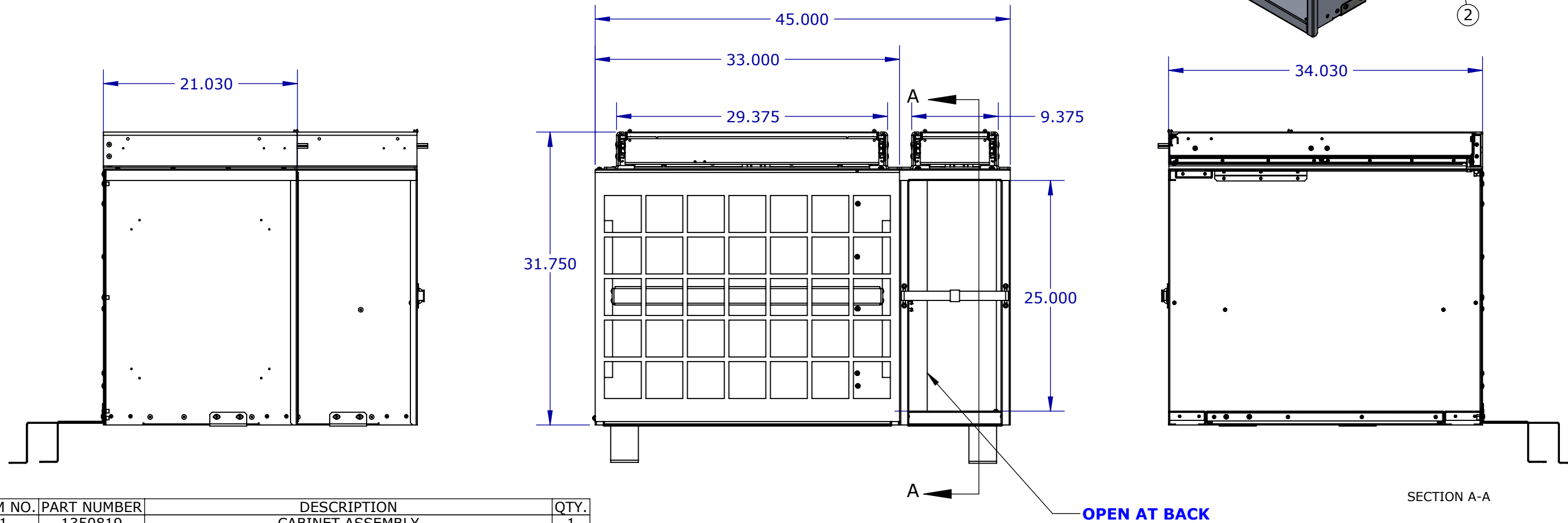
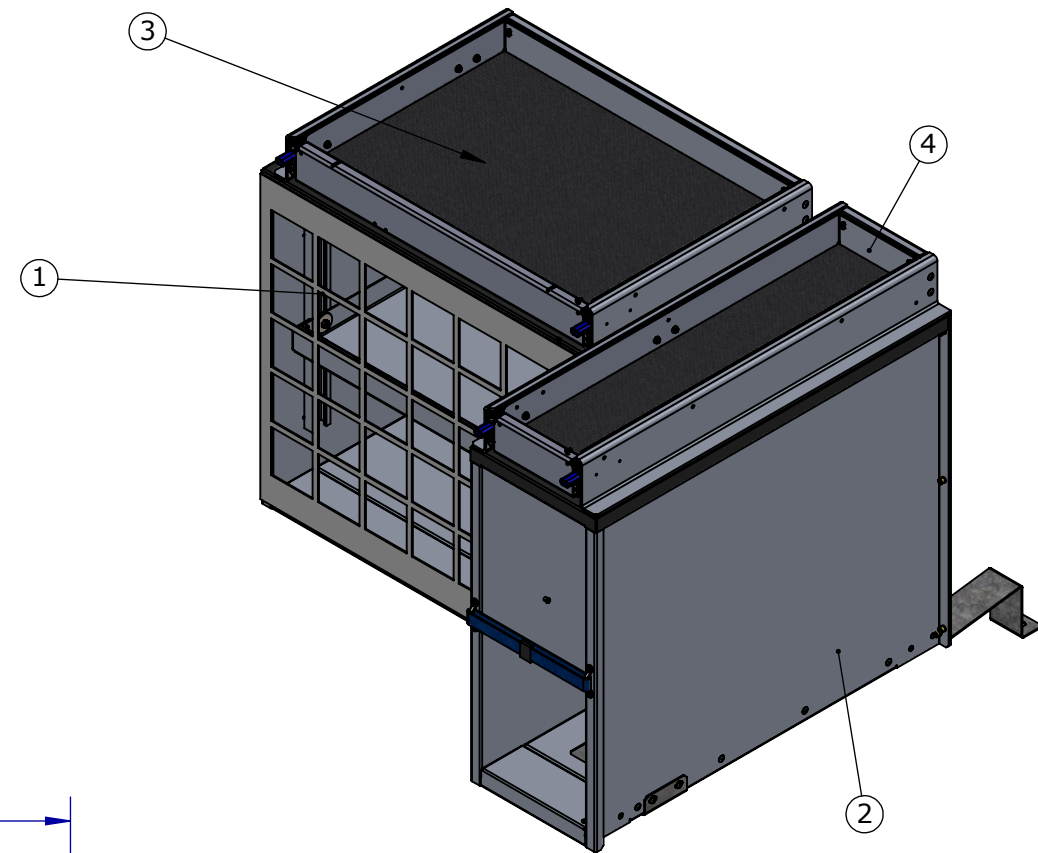


**NOTES:**

- ALUMINUM CONSTRUCTION
- TUXEDO BLACK TEXTURE ON TOP
- STANDARD MOUNTING BRACKETS FOR TAHOE
- ADJUSTABLE SHELF
- CARGO NETTING ON LEFT COMPARTMENT
- 1 - 25"H x 8.9"W OPEN STORAGE WITH 1" LIP ON PS
- RIGHT SIDE COMPARTMENT TO BE OPEN AT BACK
- 2 SLIDE OUT TRAYS ON TOP OF THE UNIT, 500LB LILO SLIDES
- RUBBER MATTING PER SLIDING TRAY



ITEM NO.	PART NUMBER	DESCRIPTION	QTY.
1	1350819	CABINET ASSEMBLY	1
2	1350859	CABINET ASSEMBLY	1
3	1350835	SLIDE-OUT TRAY ASSEMBLY	1
4	1350897	SLIDE-OUT TRAY ASSEMBLY	1

**DISCLAIMER:** By signing and dating this document, I agree that all specifications, notes and dimensions are clear, correct and in accordance with intended product use, content fit and function and product envelope fit and function. I understand this agreement to be binding and accept that any future change requests will be charged as additional work and managed through revision of this document. All custom orders cannot be cancelled and merchandise cannot be returned. If an order is cancelled by the purchaser after the order has been released to production, EZ STAK reserves the right to charge an order cancellation fee of 40% in addition to the normal restocking fee of 20%.

Signature: \_\_\_\_\_ Date: \_\_\_\_\_



PH:(613)530.3419  
FAX:(613)546.5489

DESCRIPTION  
**Fire Response Unit 4**

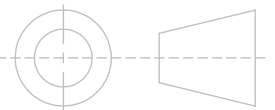
PART NO.  
**5862-A04**


**PROPERTIES**

MATERIAL: ALUMINIUM  
THICKNESS: 0.1  
FINISH: NONE  
WEIGHT: 147.787 LB

TOLERANCES UNLESS OTHERWISE SPECIFIED:

X.X ± 0.025  
X.XX ± 0.010  
X.XXX ± 0.005  
X/X ± 1/32  
X° ± 1°



DO NOT SCALE DRAWING

PROPRIETARY AND CONFIDENTIAL

THE INFORMATION CONTAINED IN THIS DRAWING IS THE SOLE PROPERTY OF EZSTAK LLC. ANY REPRODUCTION IN PART OR AS A WHOLE WITHOUT THE WRITTEN PERMISSION OF EZSTAK LLC IS PROHIBITED.

SIZE **B** REV **C5**

SCALE: 1:12 SHEET 1 OF 1

UNIT: IPS

**Deburr All Edges**