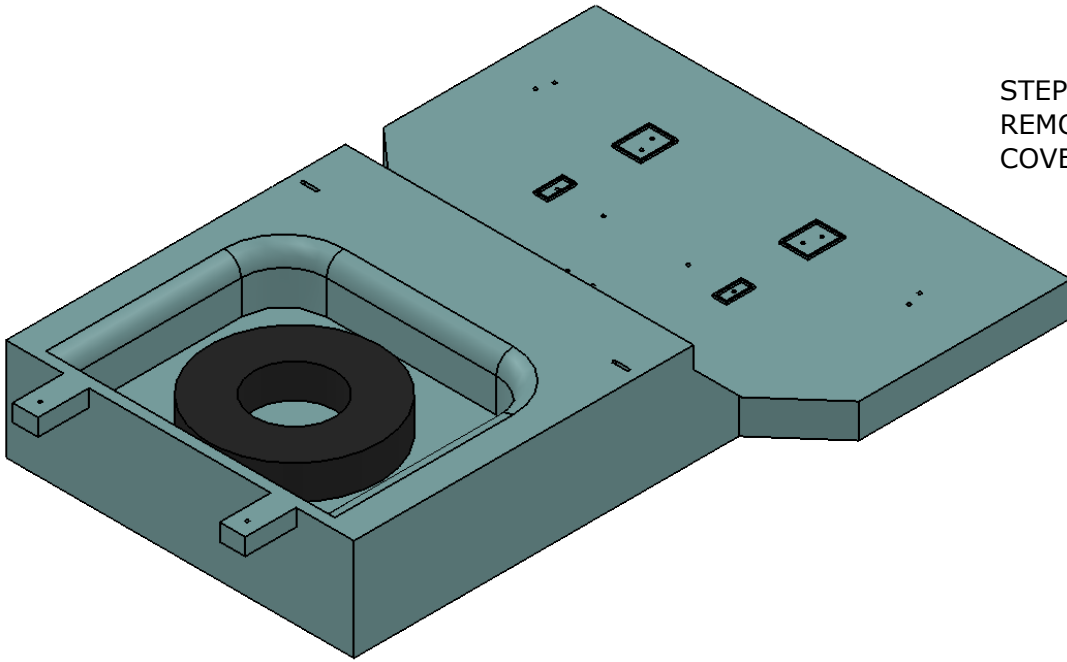
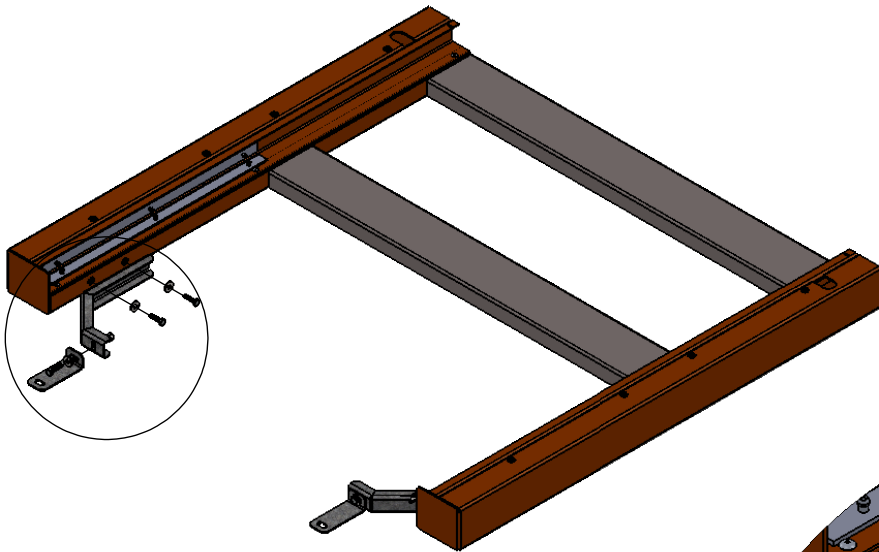


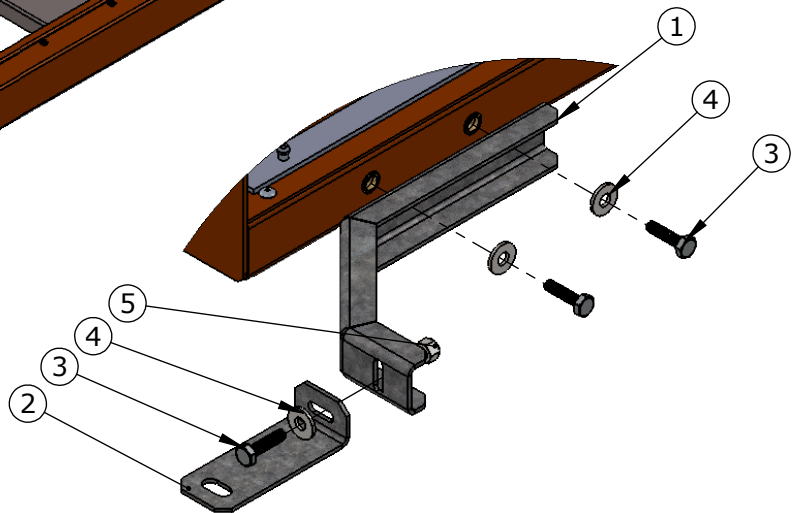
ITEM NO.	PART NUMBER	DESCRIPTION	QTY.	Revision
1	1070802	MOUNTING BRACKET	2	WIP
2	1070803	MOUNTING BRACKET	2	WIP
3	1051223	BOLT HEX HEAD [0.25 X 20 X 1.0L] G5	6	02
4	1018266	WASHER - 1/4" SCREW - 3/4 OD - 5/16 ID	8	01
5	1000094	NUT 1/4-20 NYLOC GRADE 5	2	02
6	1223158	BOLT - HH M6-1x12 - CLASS 8.8	2	
7	1084081	BOLT - TRUSS HEAD 1/4-20 5/8L	4	02



STEP 1:
REMOVE THE PREINSTALLED TIRE
COVER FROM TRUNK OF VEHICLE



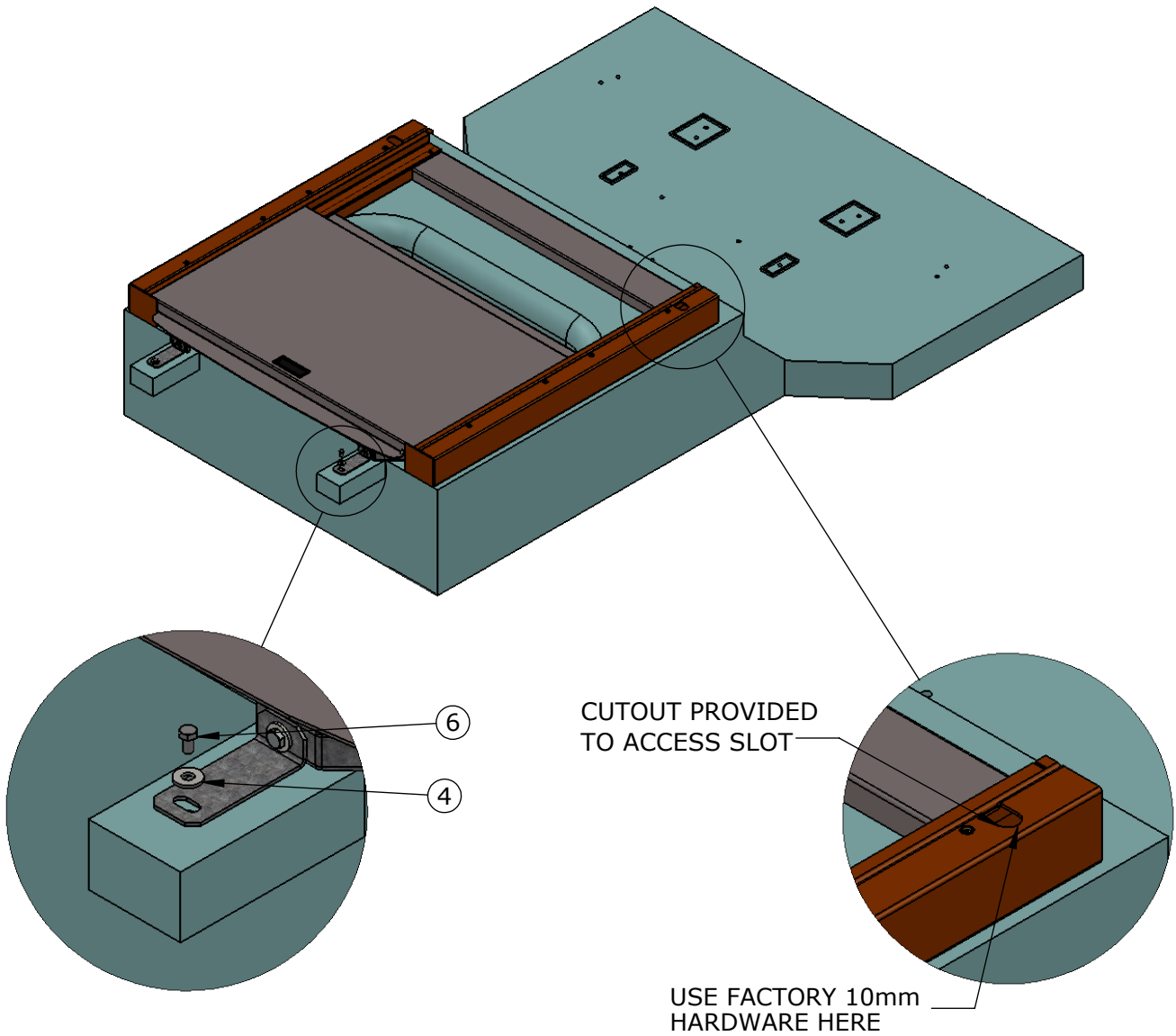
STEP 2:
ALIGN PROVIDED MOUNTING BRACKET
WITH SLOT ON BASE AND LOOSELY
BOLT MOUNTING BRACKET INTO PLACE

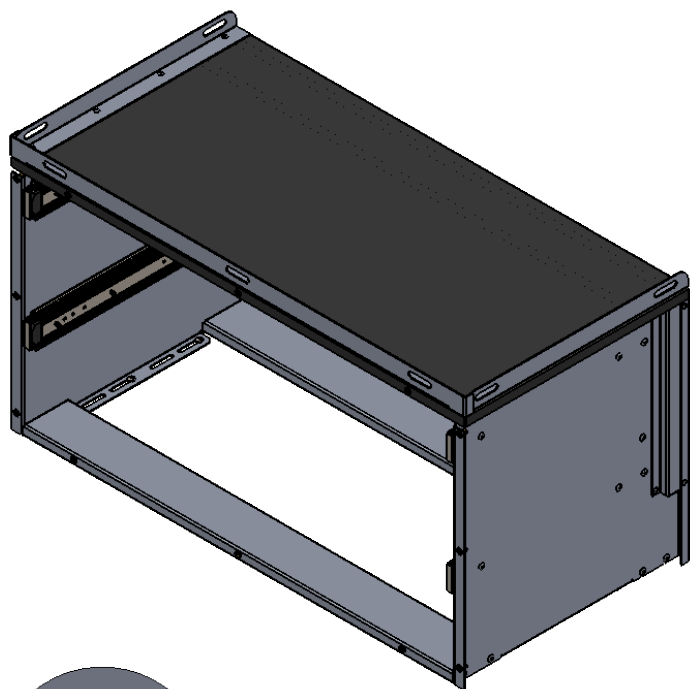


STEP 3:
PLACE BASE INTO VEHICLE AND ALIGN MOUNTING HOLES
WITH VEHICLE MOUNT.

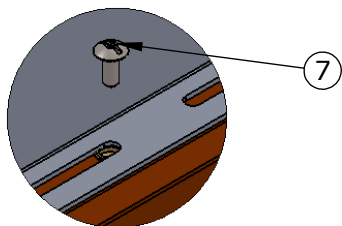
TIGHTEN BOLTS TO SECURE UNIT TO VEHICLE.

NOTE MOUNTING HOLES FOR BRACKETS MAY BE HIDDEN
UNDER PLASTIC SILL AT REAR OF VEHICLE





STEP 4:
REMOVE BACK PANEL OF UNIT AND EXTEND OR REMOVE DRAWERS SO MOUNTING HOLES CAN BE ACCESSED FROM BACK SIDE



STEP 5:
PLACE DRAWER UNIT INTO ROUGH LOCATION ON BASE. ALIGN MOUNTING HOLES IN DRAWER UNIT WITH HOLES IN BASE. BOLT DRAWER UNIT DOWN TO BASE. REPLACE BACK PANEL AND DRAWERS.

NOTE:
- MOUNT DRAWER TO PRE LOCATED HOLES IN BASE ONLY.
- DO NOT DRILL OUT NEW MOUNTING HOLES.
IF IMPROPERLY INSTALLED
- A PINCH POINT MAY BE CREATED BETWEEN DRAWER AND THE SLIDING TRAY HANDLE WHEN OPENING THE TIRE COVER.

