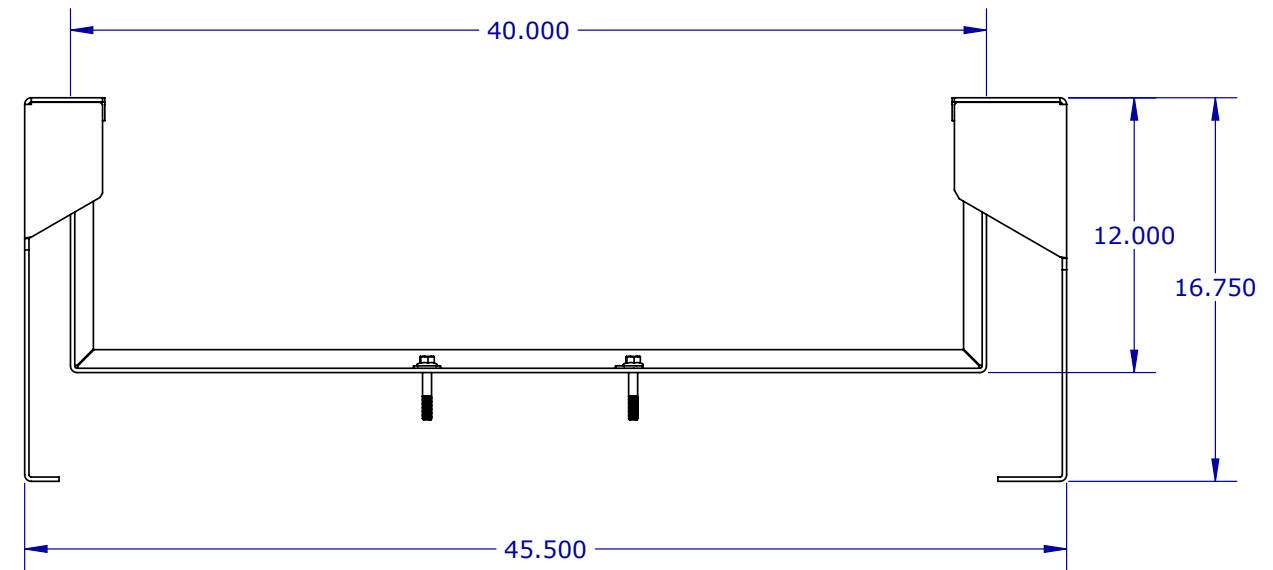


2020 FORD INTERCEPTOR 12" PURSUIT SERIES BRACKETS

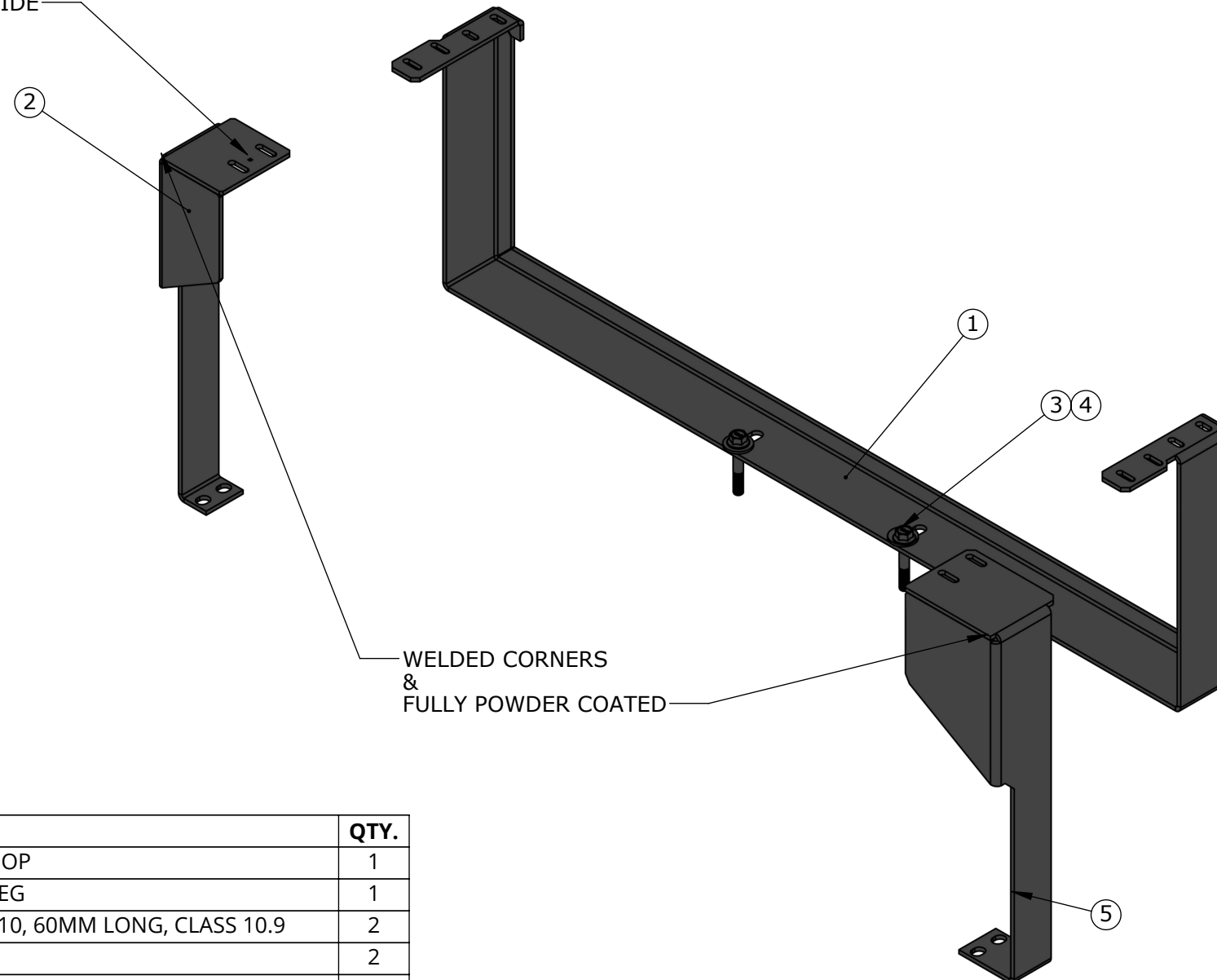
Fits 2020+ Ford Interceptor
PDU-FIU-12-BR2020

STANDARDS:

- 12"H
- Powder coat black



THIS HOLE INDICATES DRIVER SIDE



ITEM NO.	PART NUMBER	DESCRIPTION	QTY.
1	4000992	PDU, BRKT, FIU, 12"H, REAR HOOP	1
2	4000994	PDU, BRKT, FIU, 12"H FRONT LEG	1
3	1353855	SCREW - HEX HEAD FLANGED HIGH STRENGTH STEEL, M10, 60MM LONG, CLASS 10.9	2
4	1229433	WASHER - M10 FENDER	2
5	4000993	PDU, BRKT, FIU, 12"H FRONT LEG	1

PART NO.
PDU-FIU-12-BR2020

DESCRIPTION
ASSY, PDU
MOUNTING KIT,
12"H FIU, 2020+

	NAME	DATE
DRAWN BY	VSi	6/30/2020
REV BY		5/27/2019
APPVD BY	VK	6/30/2020

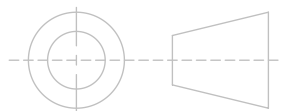
PRODUCTION READY

PROPERTIES

MATERIAL: PLAIN CARBON STEEL
THICKNESS: 0.1875
WEIGHT: 20.997 LB
FINISH:
SIDES:

TOLERANCES UNLESS OTHERWISE SPECIFIED:

X.X ±0.100"
X.XX ±0.010"
X.XXX ±0.010"
X/X ±1/16"
X° ±1°



DO NOT SCALE DRAWING

PROPRIETARY AND CONFIDENTIAL

THE INFORMATION CONTAINED IN THIS DRAWING IS THE SOLE PROPERTY OF EZSTAK LLC ANY REPRODUCTION IN PART OR AS A WHOLE WITHOUT THE WRITTEN PERMISSION OF EZSTAK LLC IS PROHIBITED.

SIZE REV
B 01

SCALE: 1:6 SHEET 1 OF 1

UNIT: IPS

Deburr All Edges