

NOTES:

CTU COMBO DRAWER UNIT

- ALUMINUM CONSTRUCTION
- 1.5" CARGO RAIL AROUND FRONT, SIDES, AND BACK
- CUSTOM MOUNTING BRACKETS INCLUDED
- POWDERCOATED (OPTIONAL)

STORAGE DRAWER

- STANDARD BLACK ON TOP (OPTIONAL)
- 4"H X 39"W X 38"D
- 500 LBS SLIDES
- 2 X SIDE-TO-SIDE DIVIDERS (OPTIONAL)
- RUBBER MATTING (OPTIONAL)
- KEY LOCKING

DRIVER SIDE GUN BOX

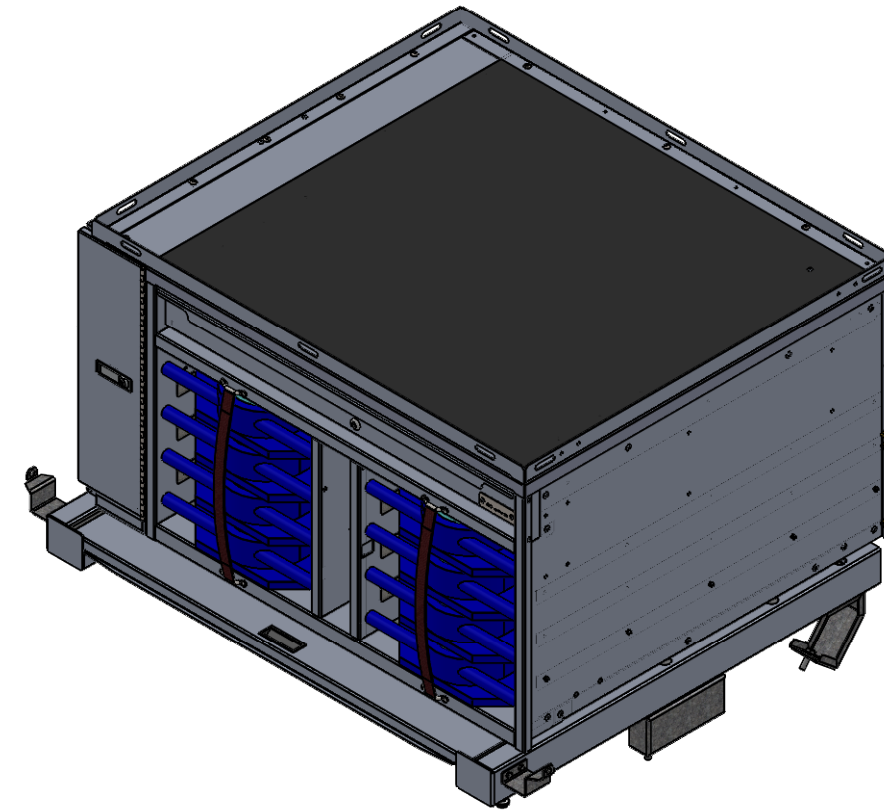
- 24"H X 7"W X 38" D
- TRIGGER LATCH
- 1X FIXED SHELF

SCALE STORAGE AREA

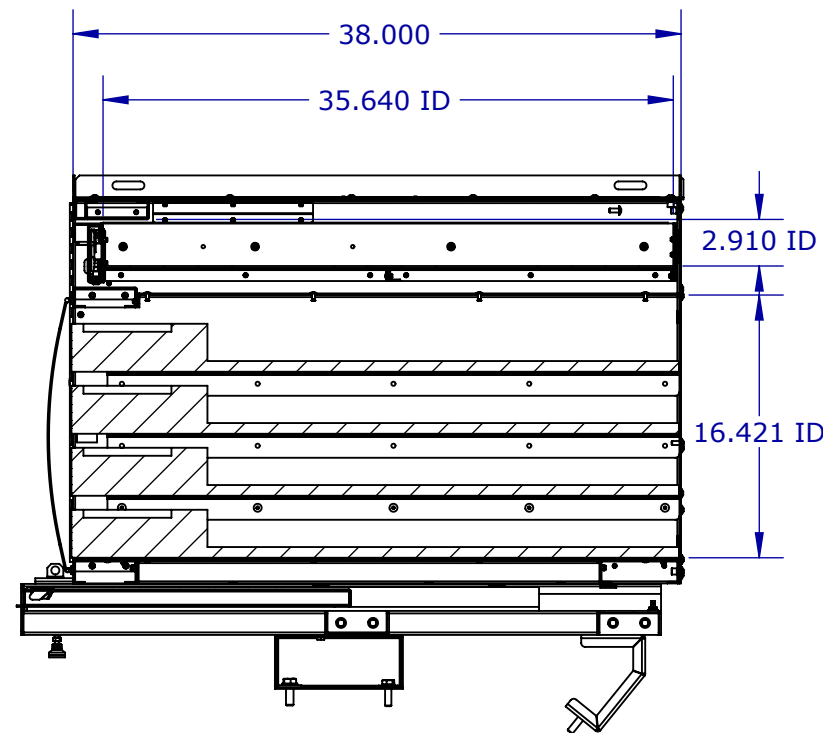
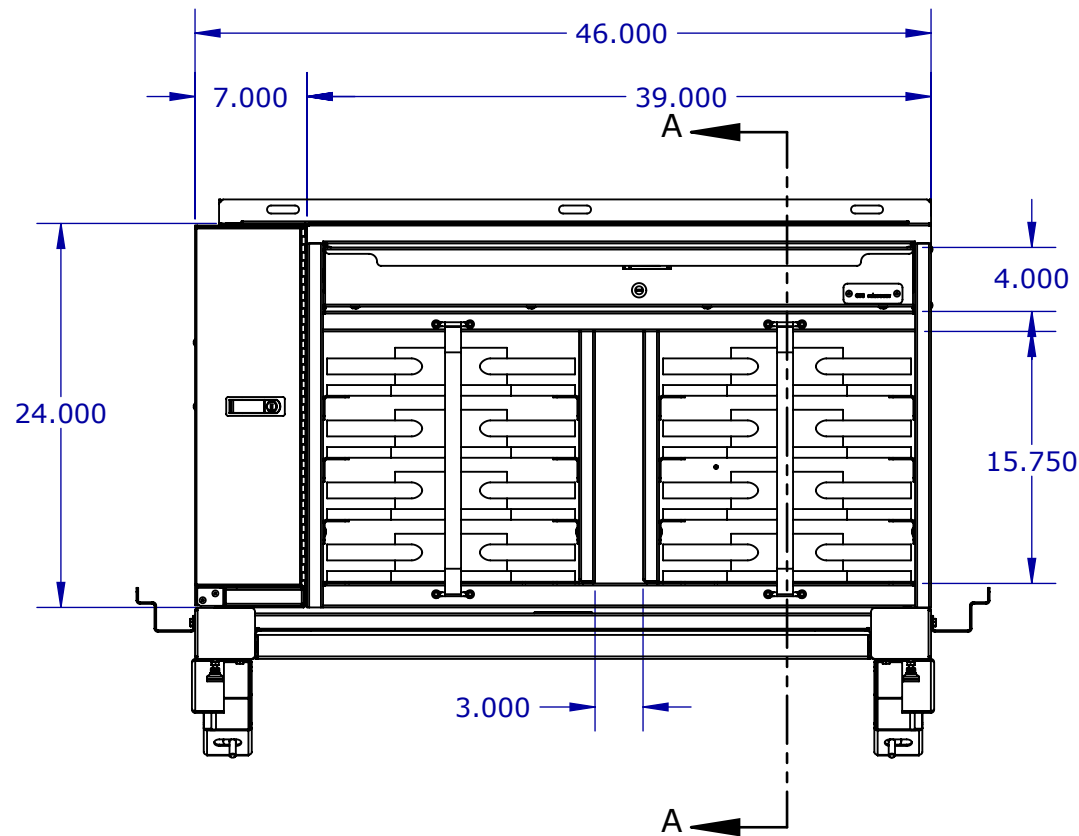
- 8X HAENNI WL 101 SCALES (NOT INCLUDED)
- STRAPS TO HOLD SCALES
- 3" W OPEN STORAGE IN CENTRE

BASE

- STANDARD BASE FOR 2020 FORD EXPEDITION



SCALES SHOWN FOR CLARITY



SECTION A-A
SCALE 1 : 12

| ITEM NO. | PART NUMBER | DESCRIPTION | Default/QTY. | PRODUCTDETAIL |
|----------|-------------|-----------------------|--------------|---------------|
| 1 | 1389721 | SCALE STORAGE UNIT | 1 | |
| 2 | 1389755 | DS GUN BOX - ASSEMBLY | 1 | |
| 3 | FE-0000-18 | 2018 FEU INSTALL BASE | 1 | |

DISCLAIMER: By signing and dating this document, I agree that all specifications, notes and dimensions are clear, correct and in accordance with intended product use, content fit and function and product envelope fit and function. I understand this agreement to be binding and accept that any future change requests will be charged as additional work and managed through revision of this document. All custom orders cannot be cancelled and merchandise cannot be returned. If an order is cancelled by the purchaser after the order has been released to production, EZ STAK reserves the right to charge an order cancellation fee of 40% in addition to the normal restocking fee of 20%.

Signature: _____ Date: _____



PH:(613)530.3419
FAX:(613)546.5489

DESCRIPTION

**FEU COMBO DRAWER
SERIES W/ BASE**

PART NO.

6875-A00

| | NAME | DATE |
|---------|------|-----------|
| DRAWN | SB | 1/31/2020 |
| CHECKED | - | - |

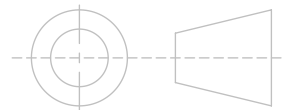
NOT RELEASED

PROPERTIES

MATERIAL: N/A
THICKNESS: N/A
FINISH
WEIGHT: 546.96876 LB

TOLERANCES UNLESS OTHERWISE SPECIFIED:

- X.X ± 0.025
- X.XX ± 0.010
- X.XXX ± 0.005
- X/X ± 1/32
- X° ± 1°



DO NOT SCALE DRAWING

PROPRIETARY AND CONFIDENTIAL

THE INFORMATION CONTAINED IN THIS DRAWING IS THE SOLE PROPERTY OF EZSTAK LLC. ANY REPRODUCTION IN PART OR AS A WHOLE WITHOUT THE WRITTEN PERMISSION OF EZSTAK LLC IS PROHIBITED.

SIZE REV

B

SCALE: 1:16 SHEET 1 OF 1

UNIT: IPS

Deburr All Edges