

NOTES:

- ALUMINUM CONSTRUCTION

CABINET:

- RUBBER MAT ON TOP
- 1.5" CARGO RAIL AROUND SIDES AND FRONT
- MOUNTING TAHOE BRACKETS INCLUDED
- REMOVABLE EQUIPMENT TRAY ON BACK

TOP DRAWER:

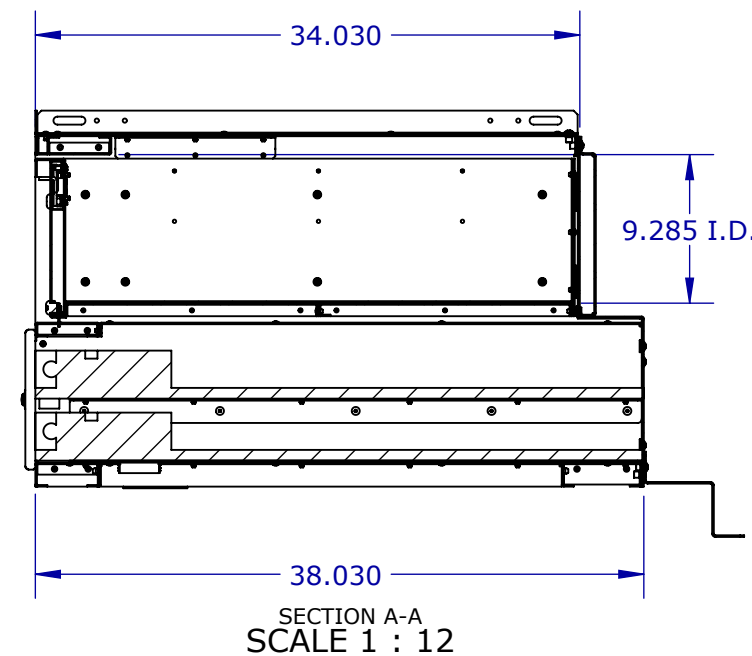
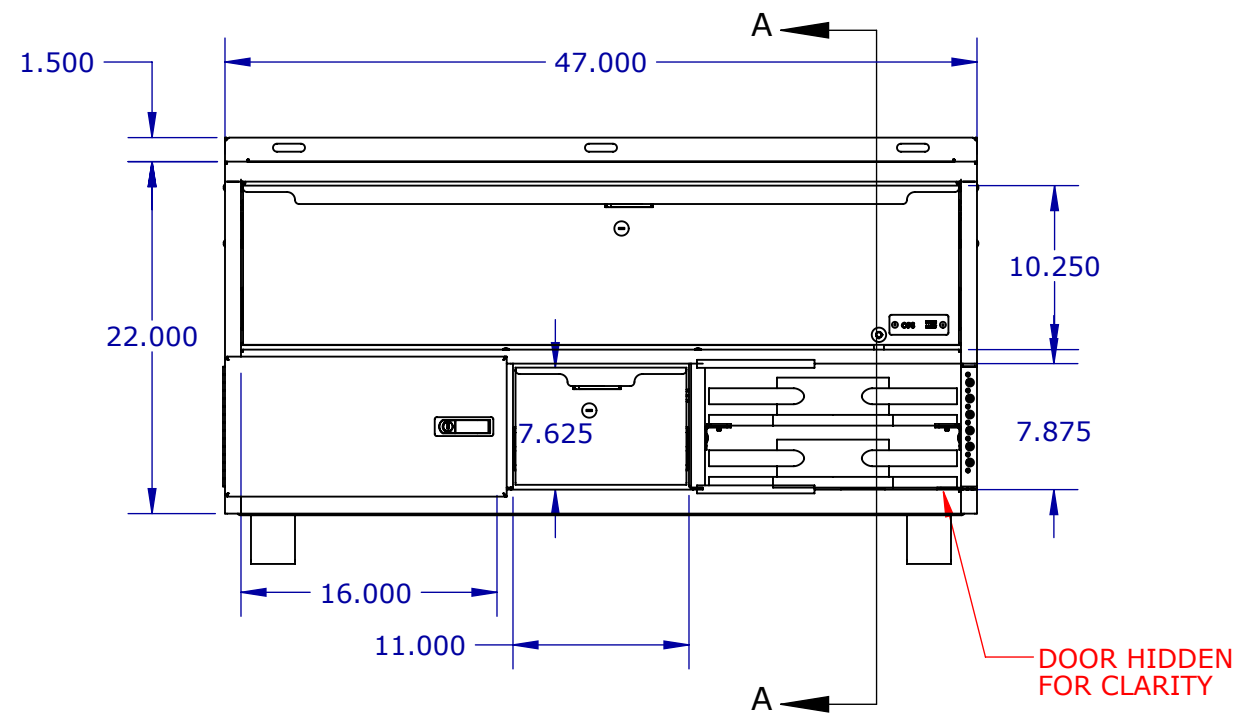
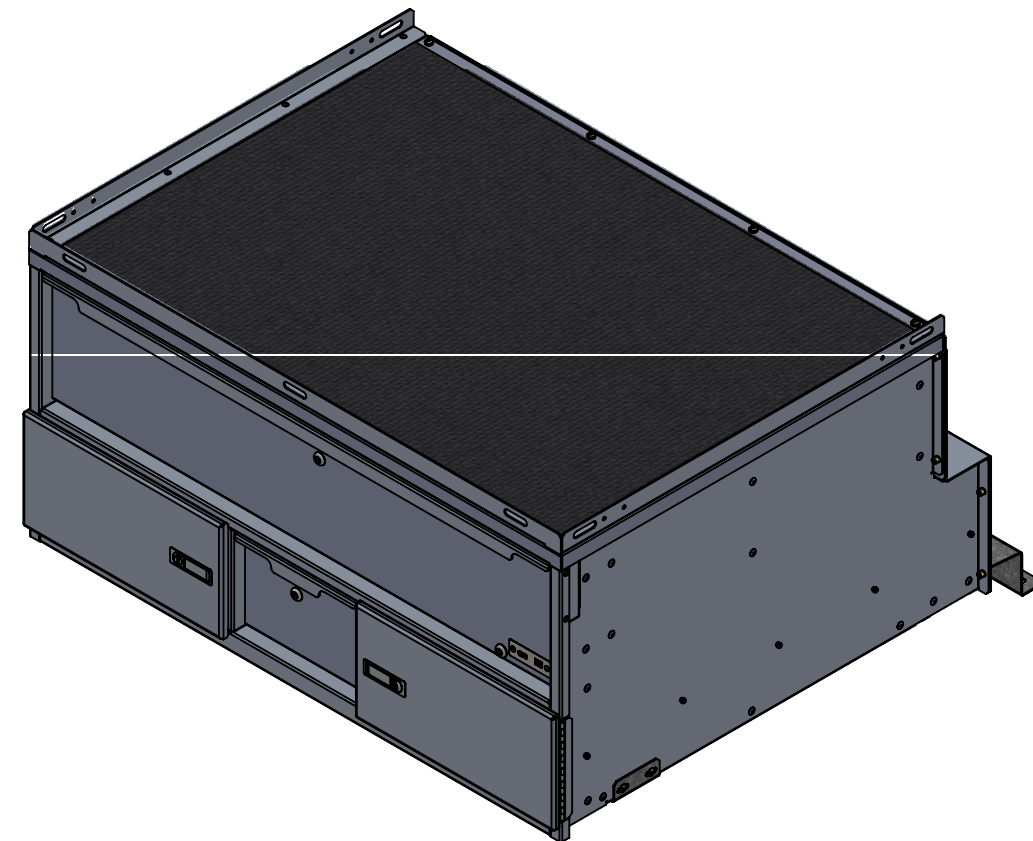
- COBRA LOCK - 2 KEY PULL
- 2X 500LBS SLIDES
- RUBBER MATING (OPTIONAL)
- 1X FRONT TO BACK DIVIDER (OPTIONAL)
- 1X SIDE TO SIDE DIVIDER (OPTIONAL)

BOTTOM MIDDLE DRAWER:

- STANDARD KEY LOCK
- 2X 500LBS SLIDES
- RUBBER MATING (OPTIONAL)

SCALE STORAGE:

- 4X SCALE STORAGE C/W SIDE-HINGED DOORS
- SOLID ALUMINUM DOORS
- LOCKING TRIGGER LATCHES



ITEM NO.	PART NUMBER	DESCRIPTION	QTY.
1	1387008	CABINET ASSEMBLY	1
2	1387052	DRAWER ASSEMBLY - 7.625"H	1
3	1387037	DRAWER ASSEMBLY -10.25H	1

DISCLAIMER: By signing and dating this document, I agree that all specifications, notes and dimensions are clear, correct and in accordance with intended product use, content fit and function and product envelope fit and function. I understand this agreement to be binding and accept that any future change requests will be charged as additional work and managed through revision of this document. All custom orders cannot be cancelled and merchandise cannot be returned. If an order is cancelled by the purchaser after the order has been released to production, EZ STAK reserves the right to charge an order cancellation fee of 40% in addition to the normal restocking fee of 20%.

Signature: _____ Date: _____



PH:(613)530.3419
FAX:(613)546.5489

DESCRIPTION
CTU ORGANIZER SERIES

PART NO.
CTU-224738-500

	NAME	DATE
DRAWN	vsi	02/18/2020
CHECKED	vsi	05/22/2020

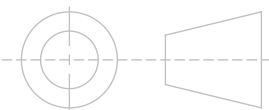
RELEASED TO PRODUCTION

PROPERTIES

MATERIAL: ALUMINUM
THICKNESS: 0.100 (MOST COMMON)
FINISH: NONE
WEIGHT: 387.976 LB

TOLERANCES UNLESS OTHERWISE SPECIFIED:

- X.X ± 0.025
- X.XX ± 0.010
- X.XXX ± 0.005
- X/X ± 1/32
- X° ± 1°



DO NOT SCALE DRAWING

PROPRIETARY AND CONFIDENTIAL

THE INFORMATION CONTAINED IN THIS DRAWING IS THE SOLE PROPERTY OF EZSTAK LLC. ANY REPRODUCTION IN PART OR AS A WHOLE WITHOUT THE WRITTEN PERMISSION OF EZSTAK LLC IS PROHIBITED.

SIZE **B** REV **02**

SCALE: 1:16 SHEET 1 OF 1

UNIT: IPS

Deburr All Edges