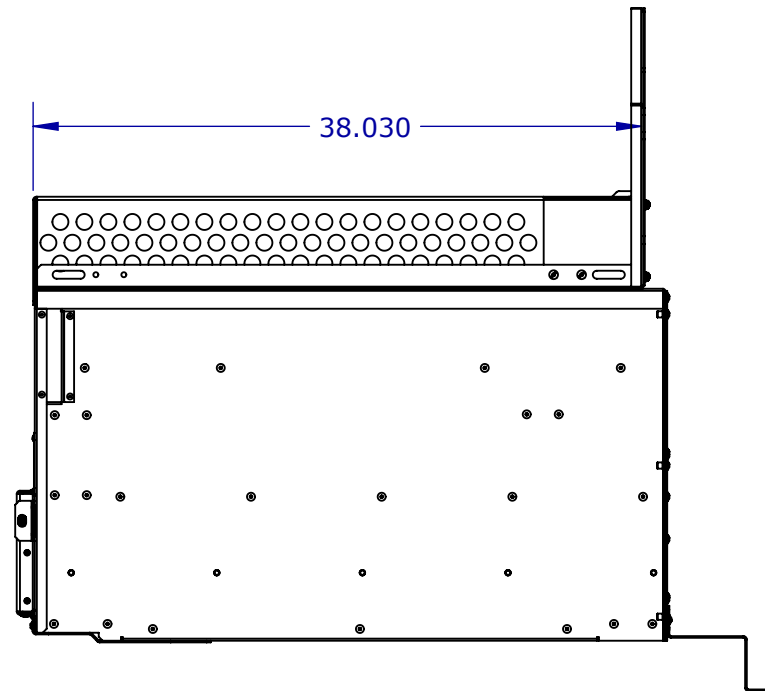
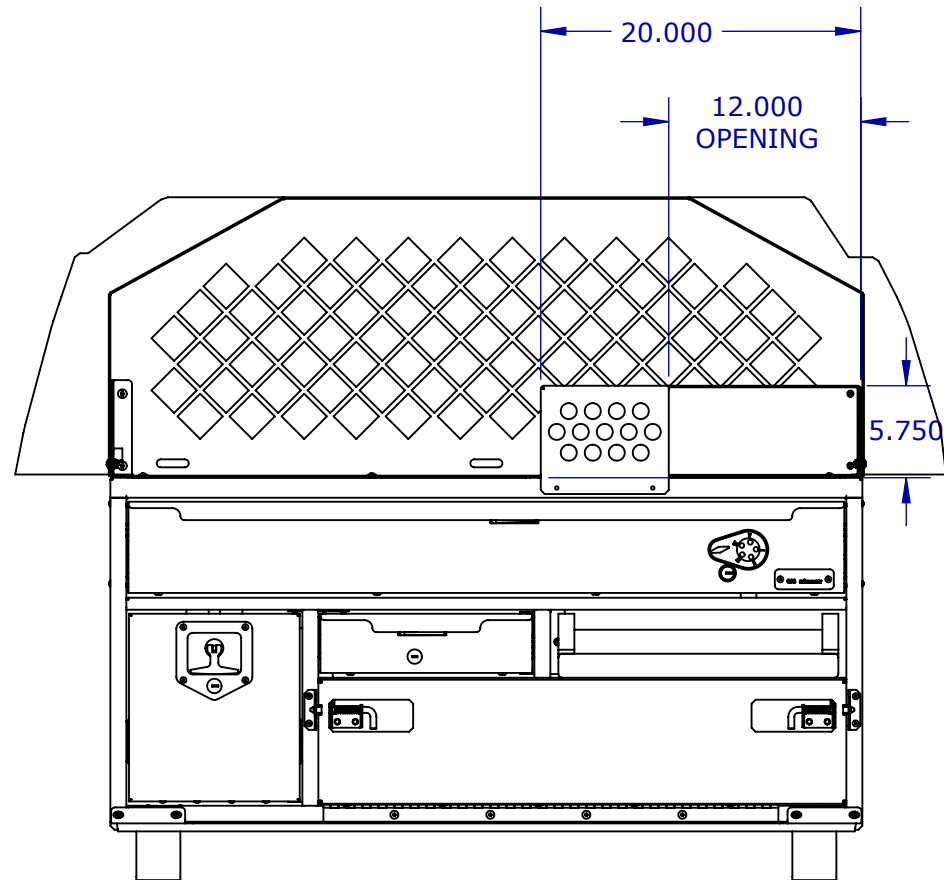
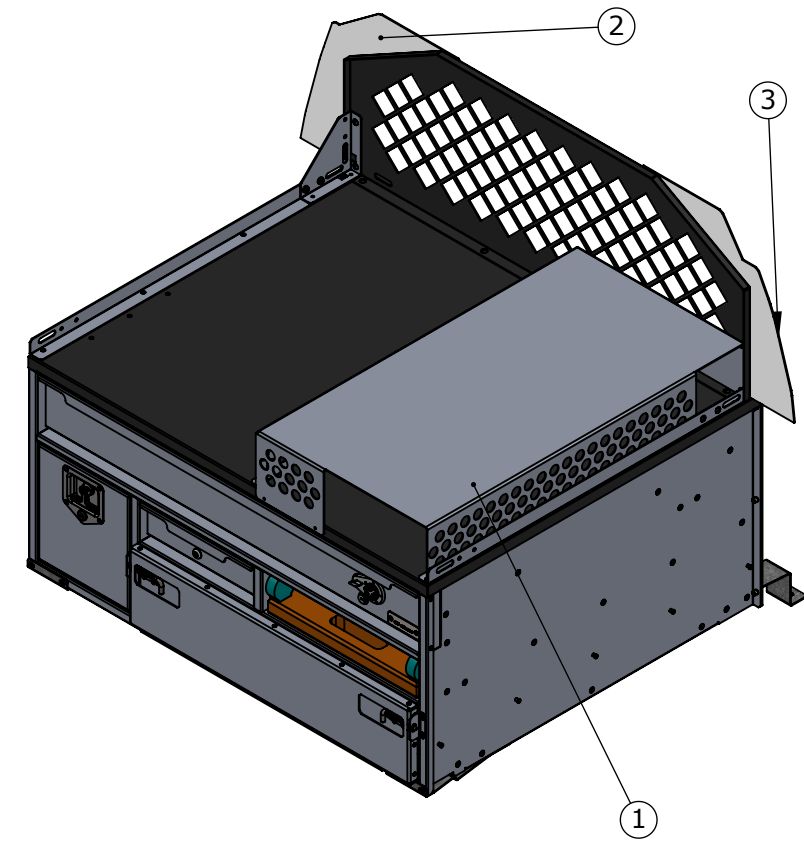


CHEVY TAHOE CVE SCALE STORAGE 2

Fits 2020 Chevy Tahoe

NOTES:

- RADIO EQUIPMENT COVER (POWDERCOATING OPTIONAL)
- LEXAN DS & PS FILLER PANELS FOR BARRIER



315.595.3300
opspublicsafety.com

DESCRIPTION
**EQUIPMENT TRAY
+ BARRIER PANELS**

PART NO.
6625-A01

	NAME	DATE
DRAWN	LH	11/05/2019
CHECKED	AG	11/05/2019

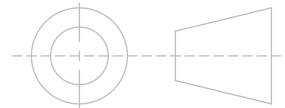
RELEASED TO PRODUCTION

PROPERTIES

MATERIAL:
THICKNESS:
FINISH
WEIGHT: 472.59244 LB

TOLERANCES UNLESS OTHERWISE SPECIFIED:

X.X ±0.025
X.XX ±0.010
X.XXX ±0.005
X/X ±1/32
X° ±1



DO NOT SCALE DRAWING

PROPRIETARY AND CONFIDENTIAL

THE INFORMATION CONTAINED IN THIS DRAWING IS THE SOLE PROPERTY OF EZSTAK LLC. ANY REPRODUCTION IN PART OR AS A WHOLE WITHOUT THE WRITTEN PERMISSION OF EZSTAK LLC IS PROHIBITED.

SIZE REV
B -

SCALE: 1:24 SHEET 1 OF 1

UNIT: IPS

ITEM NO.	PART NUMBER	DESCRIPTION	QTY.
1	1378081	EQUIPMENT TRAY	1
2	1378113	LEXAN CTU FILLER PANEL DS	1
3	1378619	LEXAN CTU FILLER PANEL PS	1

DISCLAIMER: By signing and dating this document, I agree that all specifications, notes and dimensions are clear, correct and in accordance with intended product use, content fit and function and product envelope fit and function. I understand this agreement to be binding and accept that any future change requests will be charged as additional work and managed through revision of this document. All custom orders cannot be cancelled and merchandise cannot be returned. If an order is cancelled by the purchaser after the order has been released to production, EZ STAK reserves the right to charge an order cancellation fee of 40% in addition to the normal restocking fee of 20%.

Signature: _____ Date: _____