

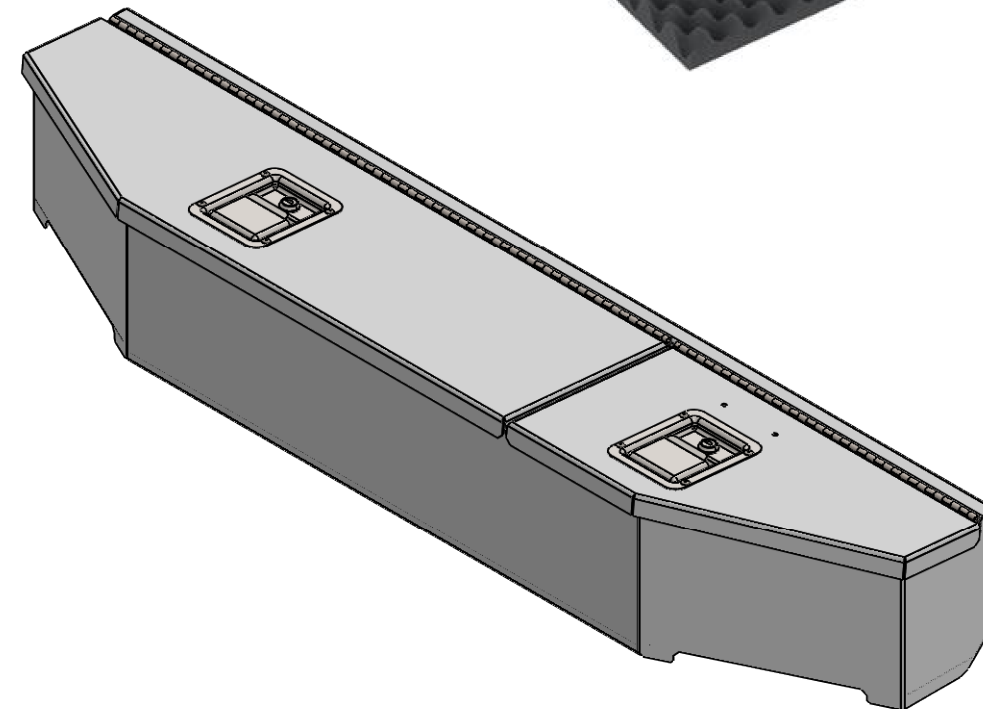
# SECURE UNDERSEAT STORAGE

Fits Dodge Ram 1500  
OPS-US-DODGE-1500

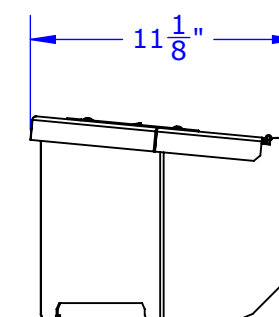
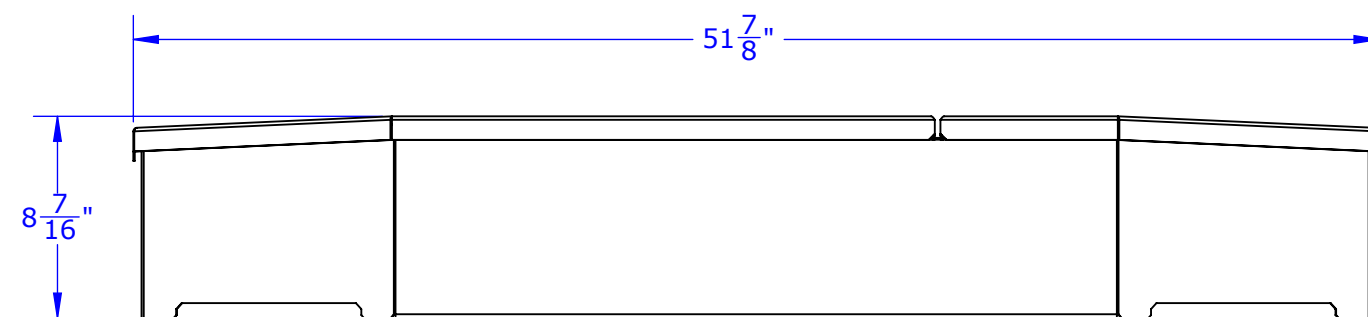
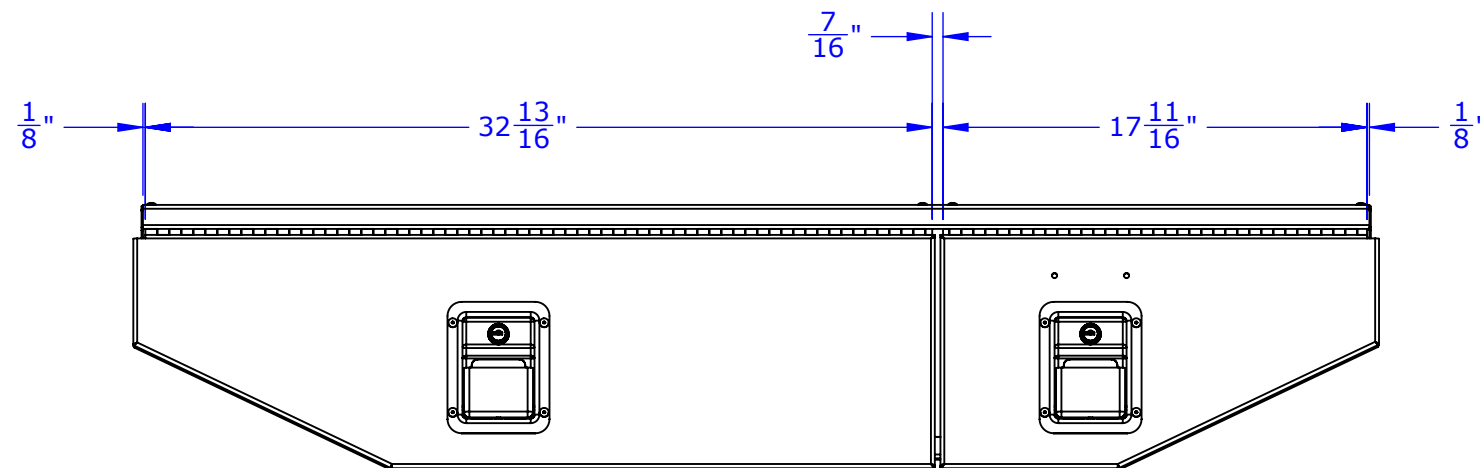
## STANDARDS:

- 9"H x 51"W x 11"D
- 16 gauge steel construction
- Black powder coat
- Paddle latch per lid
- Convolved foam inside

Convolved foam inside



DIMENSIONS FOR CUTTING HINGE



T 315.595.3300

W [opspublicsafety.com](http://opspublicsafety.com)

PART NO.  
OPS-US-DODGE-1500

DESCRIPTION  
UNDERSEAT  
STORAGE-RAM  
1500-5TH GEN  
CREW CAB

	NAME	DATE
DRAWN BY	AD	10/07/2020
REV BY		
APPVD BY	LH	10/9/2020

**PRODUCTION READY**

## PROPERTIES

MATERIAL:

THICKNESS:

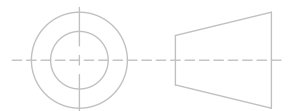
WEIGHT: 38.163 LB

FINISH:

SIDES:

TOLERANCES UNLESS OTHERWISE SPECIFIED:

X.X ±0.100"  
X.XX ±0.010"  
X.XXX ±0.010"  
X/X ±1/16"  
X° ±1°



DO NOT SCALE DRAWING

## PROPRIETARY AND CONFIDENTIAL

THE INFORMATION CONTAINED IN THIS DRAWING IS THE SOLE PROPERTY OF EZSTAK LLC. ANY REPRODUCTION IN PART OR AS A WHOLE WITHOUT THE WRITTEN PERMISSION OF EZSTAK LLC IS PROHIBITED.

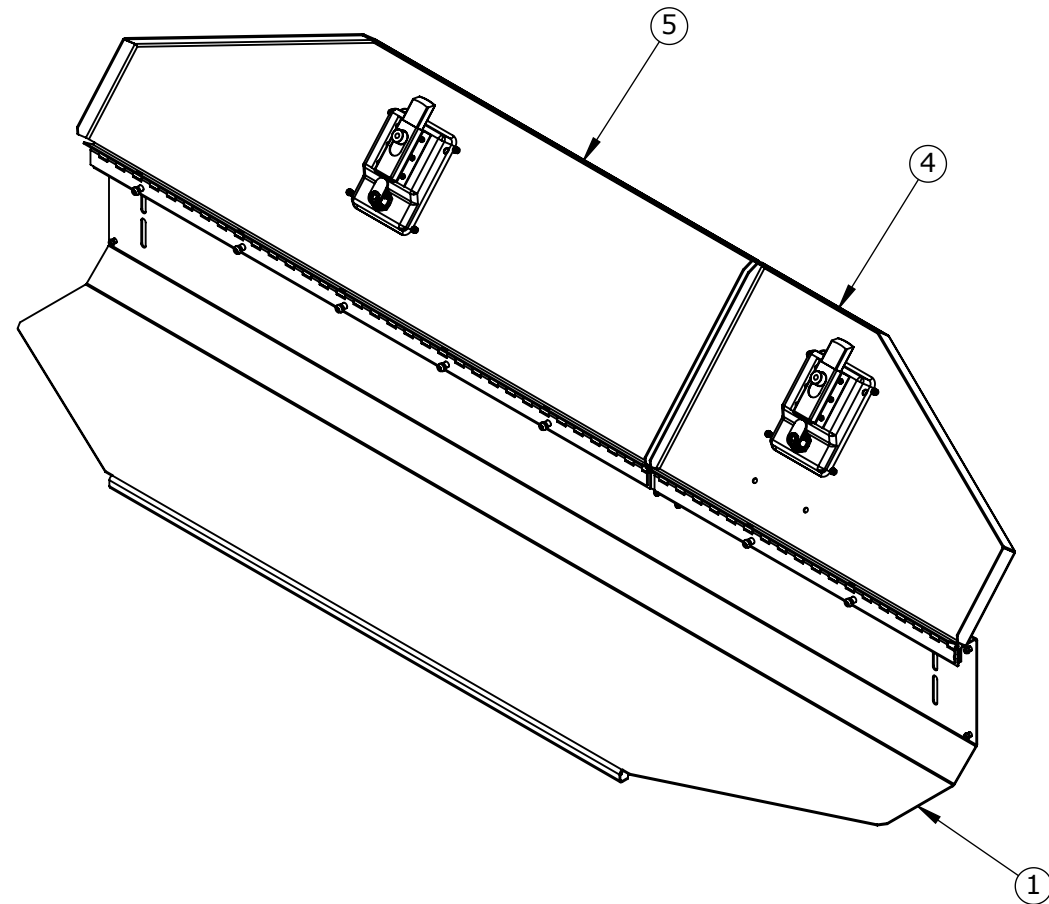
SIZE REV  
**B 01**

SCALE: 1:8 SHEET 1 OF 3

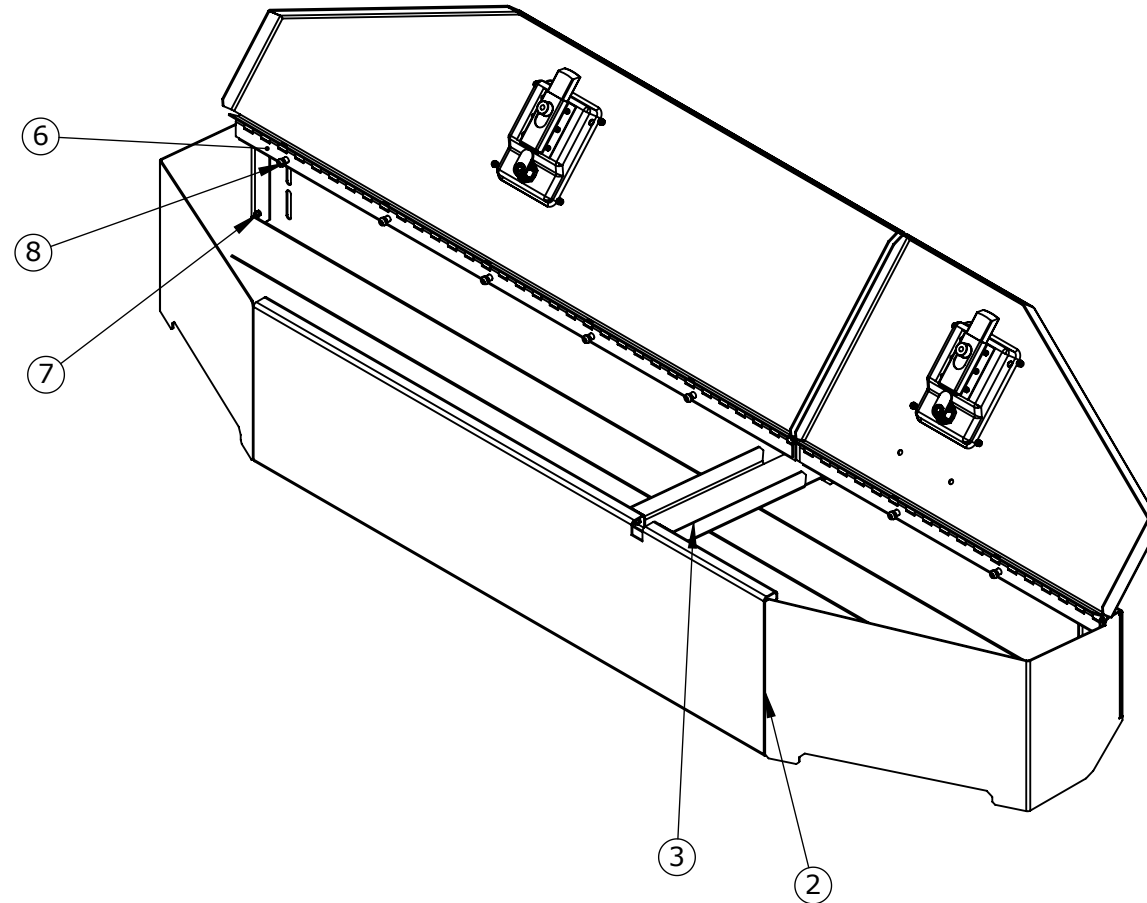
UNIT: IPS

**Deburr All Edges**

ASSEMBLY STEP-1: FIRST ASSEMBLE THE LIDS WITH THE BOTTOM-BACK PANEL.



ASSEMBLY STEP-2: THEN PUT THE FRONT PANEL & STIFFNER.



NOTES:

1. ITEM NO. 10 "CONVOLUTED FOAM-CHARCOAL, 1-1/2" THICK-51" X 9", FOAM FACTORY INC." IS NOT VISIBLE IN THE VIEWS ABOVE.

ITEM NO.	PART NUMBER	DESCRIPTION	
1	4001381	RAM US-BOTTOM BACK PANEL	1
2	4001382	RAM US-FRONT PANEL	1
3	4001385	RAM US-STIFFENER BRACKET	1
4	4001431	RAM US-SMALLER LID ASSEMBLY	1
5	4001433	RAM US-BIGGER LID ASSEMBLY	1
6	1003905	HINGE - CUSTOM STAINLESS STEEL PIANO HINGE, 1260 SS, 0.75 X 1.00 X 72 IN, HOLES BOTH LEAVES, 16GA SS, MILL, 0.125 DIA, 1/2IN KNUCKLE	1
7	1084246	RIVET, STEEL, 3/16 DIA, SHORT GRIP 1/16-1/4, CLOSED	13
8	1084247	RIVET, STEEL, 1/4 DIA, SHORT GRIP 1/16-5/16, CLOSED	15
9	4001713	RAM US-INSTALL KIT	1
10	4001722	CONVOLUTED FOAM-CHARCOAL, 1-1/2" THICK-51" X 9", FOAM FACTORY INC.	1

	NAME	DATE
DRAWN BY	AD	10/07/2020
REV BY		
APPVD BY	LH	10/9/2020

**PRODUCTION READY**

**PROPERTIES**

MATERIAL:

THICKNESS:

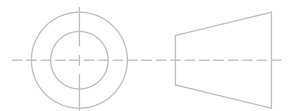
WEIGHT: 38.163 LB

FINISH:

SIDES:

TOLERANCES UNLESS OTHERWISE SPECIFIED:

X.X±0.100"  
X.XX±0.010"  
X.XXX±0.010"  
X/X ±1/16"  
X°±1°



DO NOT SCALE DRAWING

PROPRIETARY AND CONFIDENTIAL

THE INFORMATION CONTAINED IN THIS DRAWING IS THE SOLE PROPERTY OF EZSTAK LLC. ANY REPRODUCTION IN PART OR AS A WHOLE WITHOUT THE WRITTEN PERMISSION OF EZSTAK LLC IS PROHIBITED.

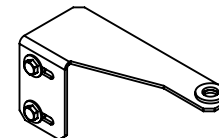
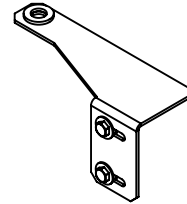
SIZE REV  
**B 01**

SCALE: 1:8 SHEET 2 OF 3

UNIT: IPS

**Deburr All Edges**

ONLY FOR BOM-INSTALLATION KIT



ITEM NO.	PART NUMBER	DESCRIPTION	QTY.
1	4001282	RAM US MOUNTING BRACKET-2	1
2	4001300	RAM US MOUNTING BRACKET-1	1
3	1229431	WASHER - M12	2
4	1000094	NUT, NYLOX, 1/4-20, ZINC PLATED STEEL	4
5	1089578	WASHER, FLAT, 1/4, 5/16 ID, 3/4 OD, ZINC PLATED	8
6	1262566	BOLT - HEX HEAD 1/4-20 3/4"L G5	4



T 315.595.3300

W [opspublicsafety.com](http://opspublicsafety.com)

PART NO.  
OPS-US-DODGE-1500

DESCRIPTION  
UNDERSEAT  
STORAGE-RAM  
1500-5TH GEN  
CREW CAB

	NAME	DATE
DRAWN BY	AD	10/07/2020
REV BY		
APPVD BY	LH	10/9/2020

**PRODUCTION READY**

**PROPERTIES**

MATERIAL:

THICKNESS:

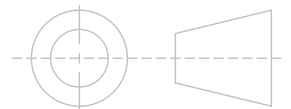
WEIGHT: 38.163 LB

FINISH:

SIDES:

TOLERANCES UNLESS OTHERWISE SPECIFIED:

X.X ±0.100"  
X.XX ±0.010"  
X.XXX ±0.010"  
X/X ±1/16"  
X° ±1°



DO NOT SCALE DRAWING

**PROPRIETARY AND CONFIDENTIAL**

THE INFORMATION CONTAINED IN THIS DRAWING IS THE SOLE PROPERTY OF EZSTAK LLC. ANY REPRODUCTION IN PART OR AS A WHOLE WITHOUT THE WRITTEN PERMISSION OF EZSTAK LLC IS PROHIBITED.

SIZE REV  
**B 01**

SCALE: 1:6 SHEET 3 OF 3

UNIT: IPS

**Deburr All Edges**