

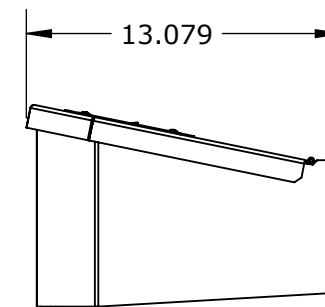
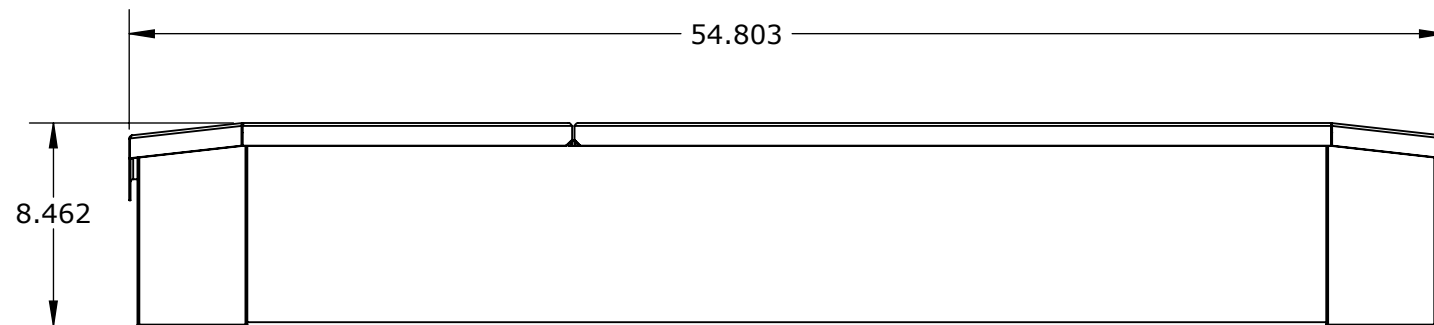
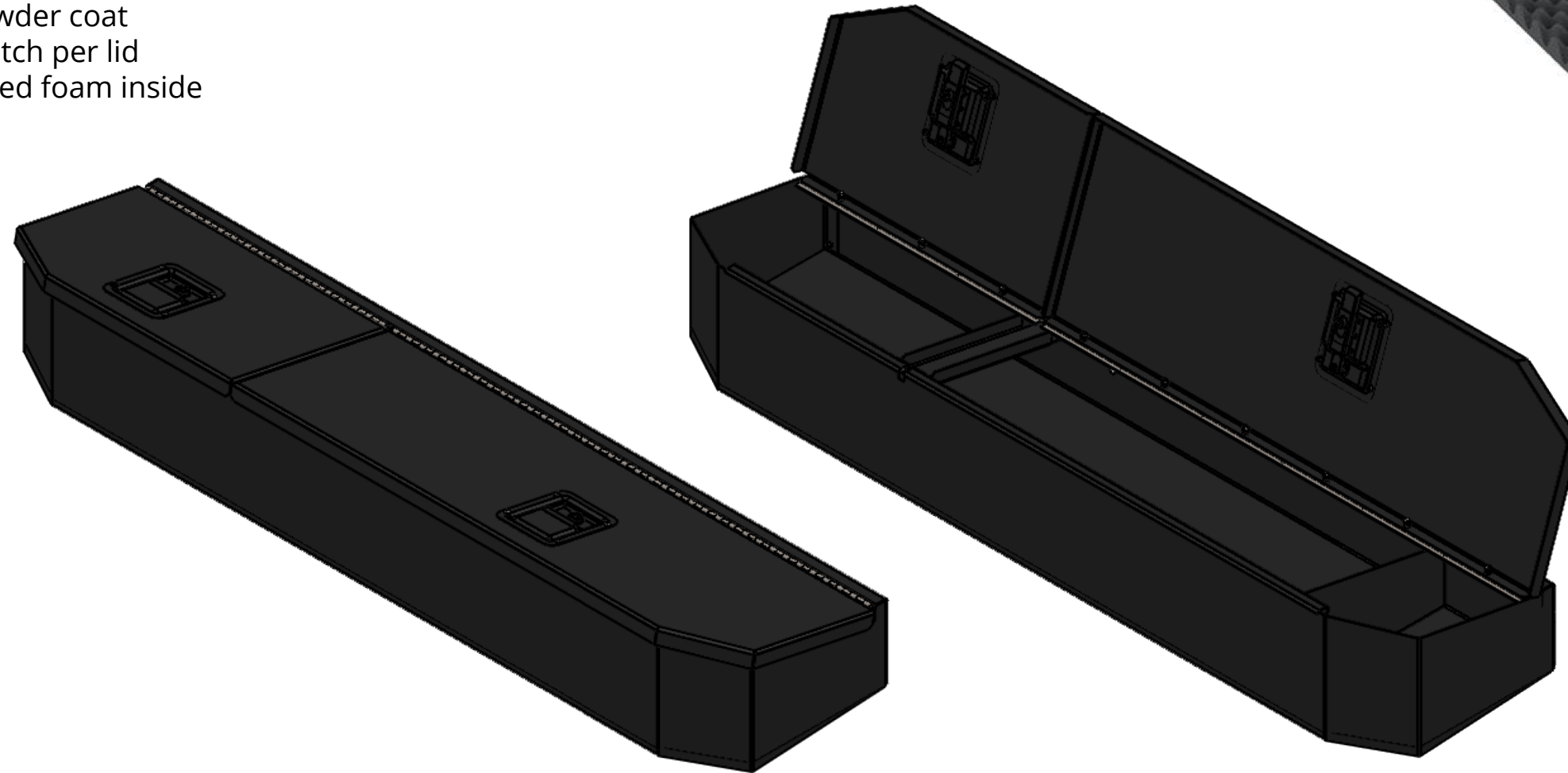
SECURE UNDERSEAT STORAGE

Fits Ford F150 2015-2020
OPS-US-FORD-F150

STANDARDS:

- 8"H x 54"W x 13"D
- 16 gauge steel construction
- Black powder coat
- Paddle latch per lid
- Convolute foam inside

Convolute foam inside



DISCLAIMER: By signing and dating this document, I agree that all specifications, notes and dimensions are clear, correct and in accordance with intended product use, content fit and function and product envelope fit and function. I understand this agreement to be binding and accept that any future change requests will be charged as additional work and managed through revision of this document. All custom orders cannot be cancelled and merchandise cannot be returned. If an order is cancelled by the purchaser after the order has been released to production, EZ STAK reserves the right to charge an order cancellation fee of 40% in addition to the normal restocking fee of 20%.

Signature: _____ Date: _____

DESCRIPTION

SECURE UNDERSEAT STORAGE-FORD F150 SUPER CREW-13TH GEN

PART NO.

OPS-US-FORD-F150

	NAME	DATE
DRAWN	AD	7/17/2020
CHECKED	KO	07/17/2020

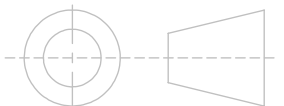
RELEASED TO PRODUCTION

PROPERTIES

MATERIAL: N/A
THICKNESS: N/A
FINISH: POWDER COATED BLACK
WEIGHT: 47.629 LB

TOLERANCES UNLESS OTHERWISE SPECIFIED:

X.X ±0.025
X.XX ±0.010
X.XXX ±0.005
X/X ±1/32
X° ±1



DO NOT SCALE DRAWING

PROPRIETARY AND CONFIDENTIAL

THE INFORMATION CONTAINED IN THIS DRAWING IS THE SOLE PROPERTY OF EZSTAK LLC. ANY REPRODUCTION IN PART OR AS A WHOLE WITHOUT THE WRITTEN PERMISSION OF EZSTAK LLC IS PROHIBITED.

SIZE: **B** REV: -

SCALE: 1:8 SHEET 1 OF 1

UNIT: IPS

Deburr All Edges