

DESCRIPTION

**UNDERSEAT STORAGE-
GMC SIERRA 1500 5TH
GEN CHEVY
SILVERADO 1500 4TH
GEN CREW CAB**

PART NO.
OPS-US-GM-1500

	NAME	DATE
DRAWN	AD	10/7/2020
CHECKED	LH	10/9/2020

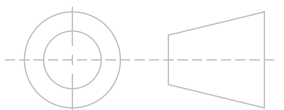
PRODUCTION READY

PROPERTIES

MATERIAL:
THICKNESS: N/A
FINISH:
WEIGHT: 48.336 LB

TOLERANCES UNLESS OTHERWISE SPECIFIED:

X.X ± 0.025
X.XX ± 0.010
X.XXX ± 0.005
X/X ± 1/32
X° ± 1°



DO NOT SCALE DRAWING

PROPRIETARY AND CONFIDENTIAL

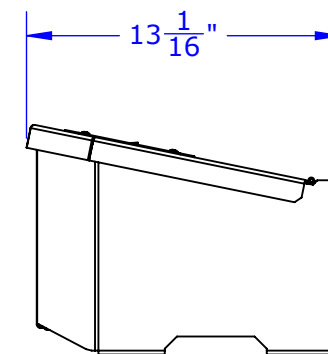
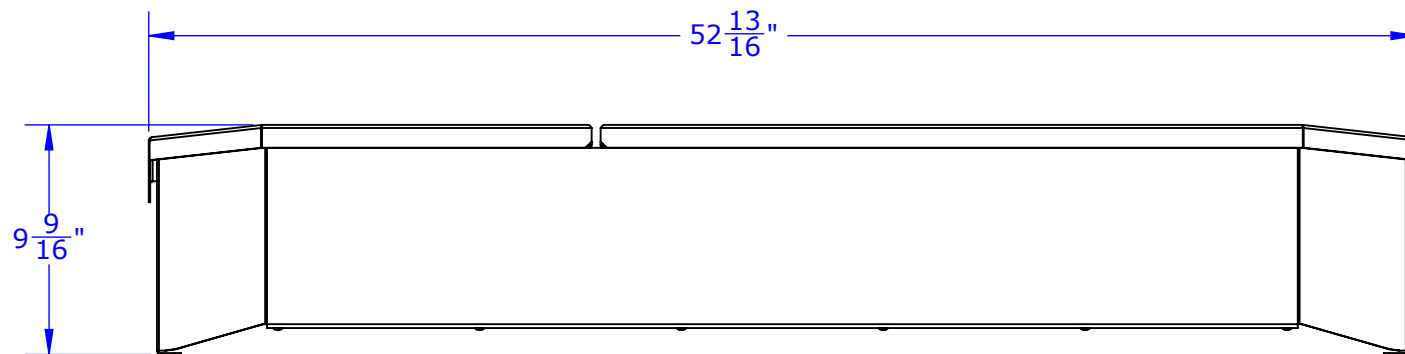
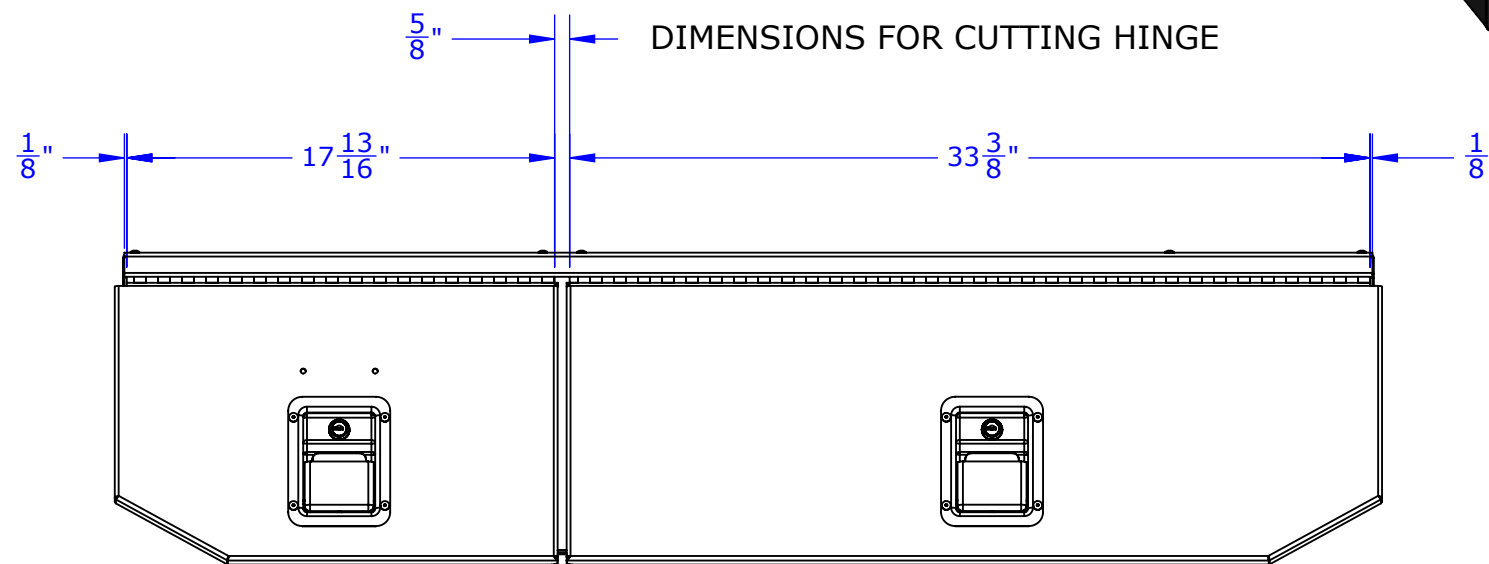
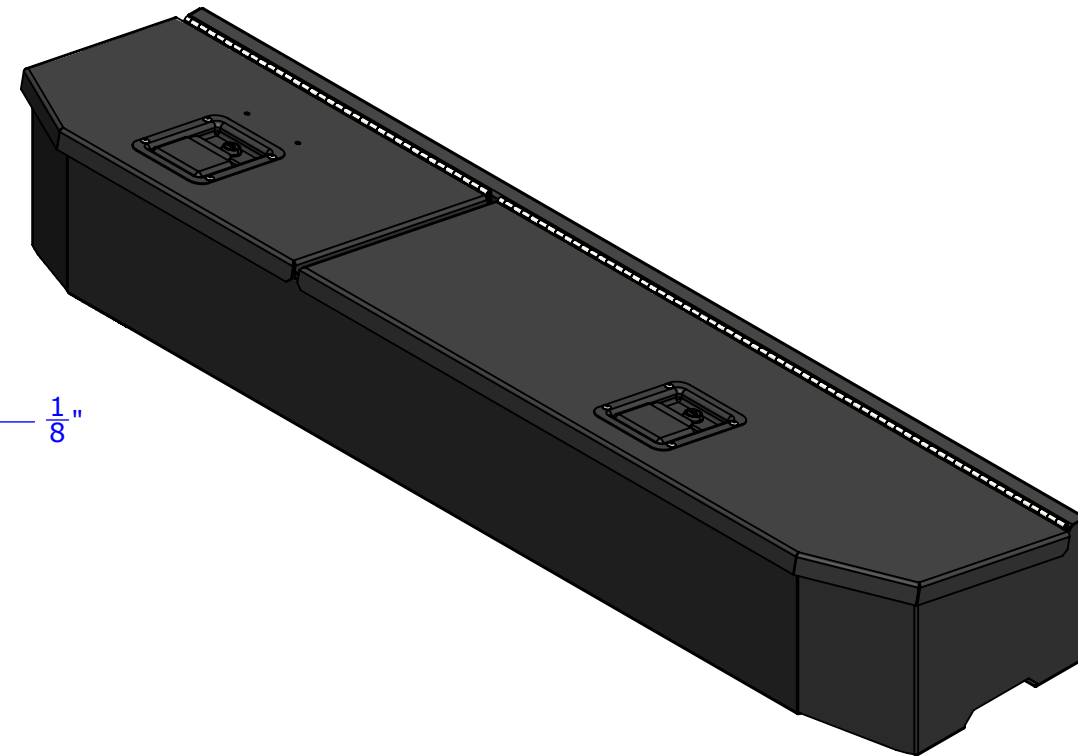
THE INFORMATION CONTAINED IN THIS DRAWING IS THE SOLE PROPERTY OF EZSTAK LLC. ANY REPRODUCTION IN PART OR AS A WHOLE WITHOUT THE WRITTEN PERMISSION OF EZSTAK LLC IS PROHIBITED.

SIZE **B** REV **01**

SCALE: 1:8 SHEET 1 OF 3

UNIT: IPS

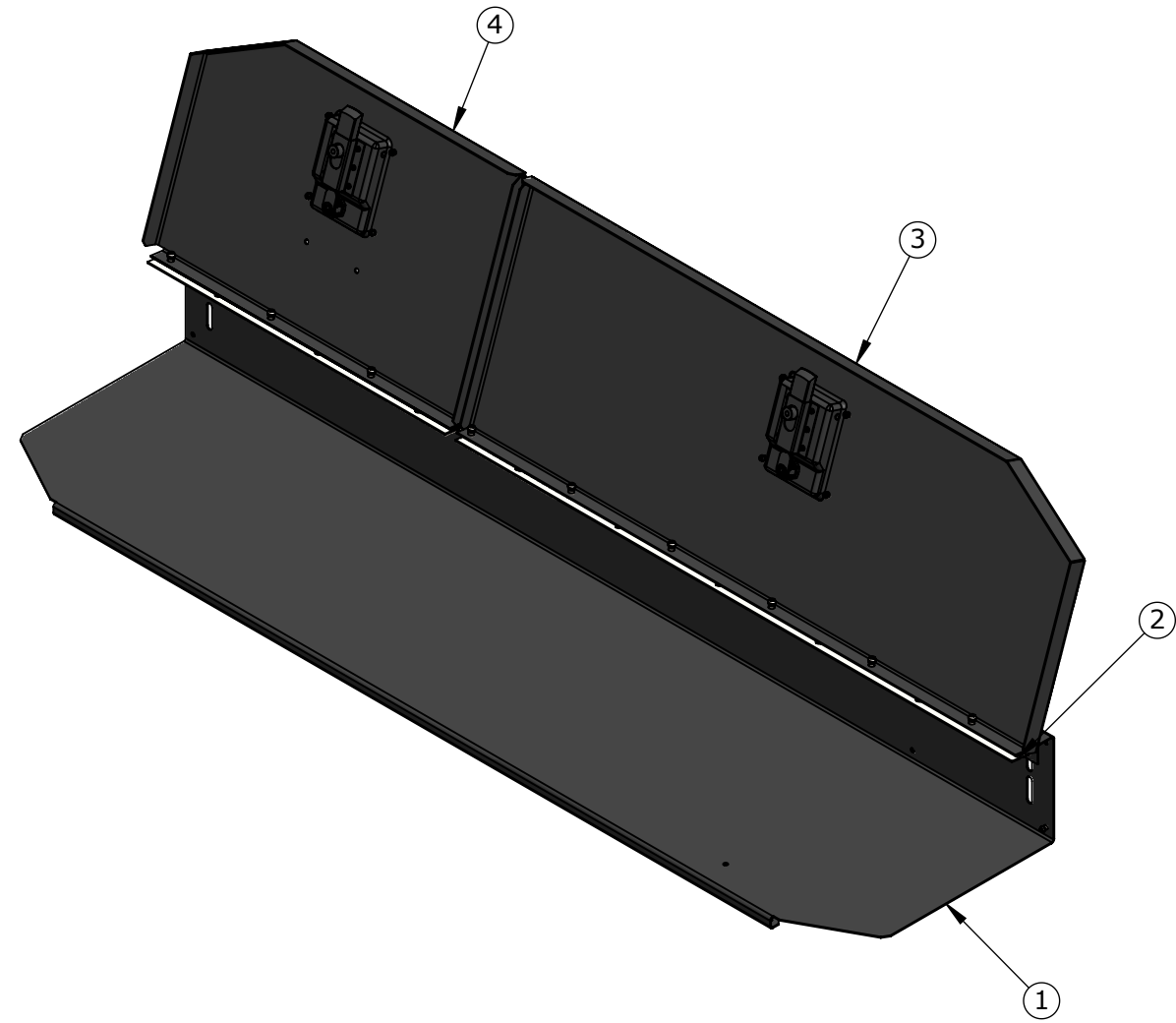
Deburr All Edges



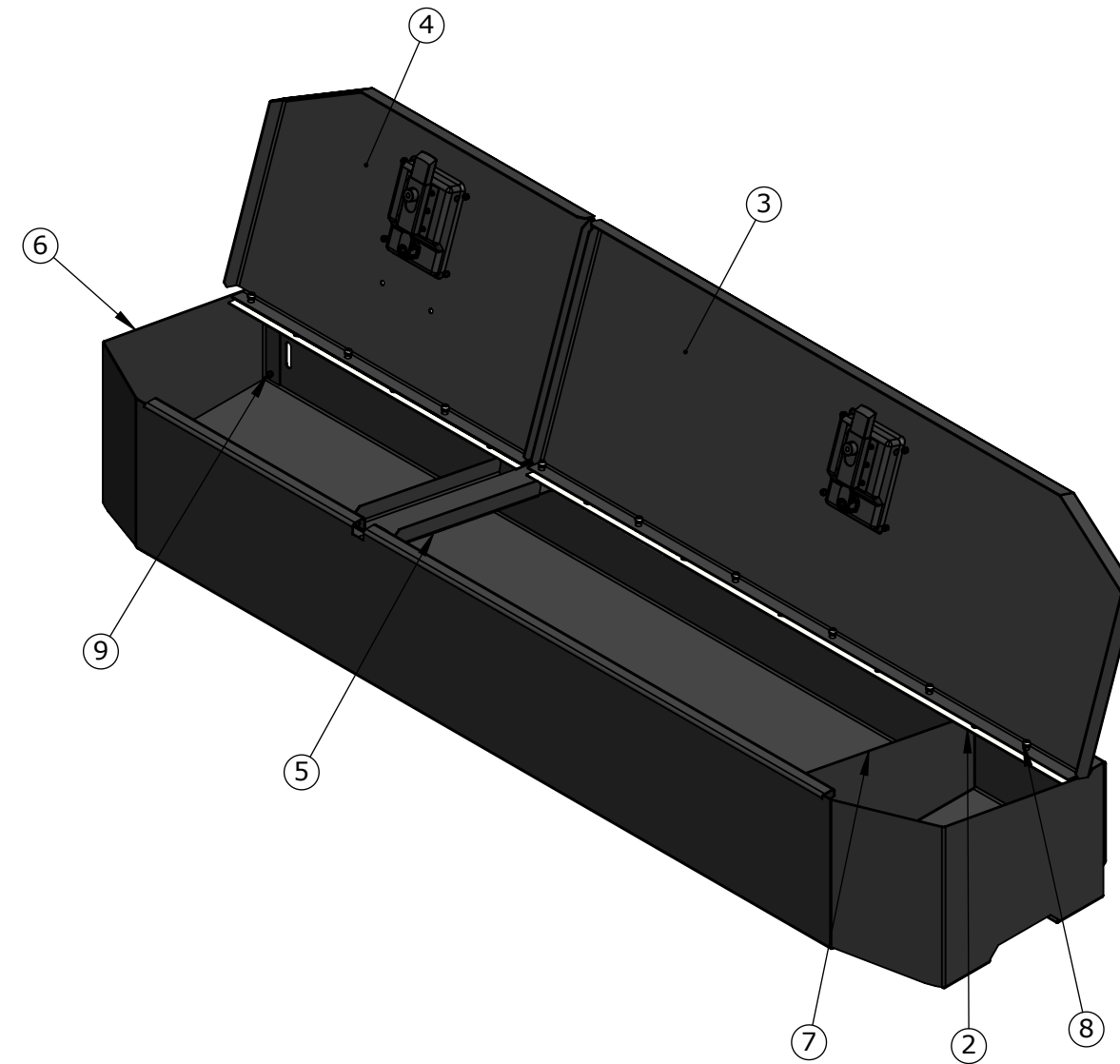
DISCLAIMER: By signing and dating this document, I agree that all specifications, notes and dimensions are clear, correct and in accordance with intended product use, content fit and function and product envelope fit and function. I understand this agreement to be binding and accept that any future change requests will be charged as additional work and managed through revision of this document. All custom orders cannot be cancelled and merchandise cannot be returned. If an order is cancelled by the purchaser after the order has been released to production, EZ STAK reserves the right to charge an order cancellation fee of 40% in addition to the normal restocking fee of 20%.

Signature: _____ Date: _____

ASSEMBLY STEP-1: FIRST ASSEMBLE THE LIDS WITH THE BOTTOM-BACK PANEL.



ASSEMBLY STEP-2: THEN PUT THE FRONT PANEL, STIFFNER AND PARTITION.



NOTES:

1. ITEM NO. 11 "CONVOLUTED FOAM-CHARCOAL, 1-1/2" THICK-52" X 13", FOAM FACTORY INC." IS NOT VISIBLE IN THE VIEWS ABOVE.

ITEM NO.	PART NUMBER	DESCRIPTION	QTY.
1	4001241	GMC/CHEVY US-BOTTOM BACK PANEL	1
2	1003905	HINGE - CUSTOM STAINLESS STEEL PIANO HINGE, 1260 SS, 0.75 X 1.00 X 72 IN, HOLES BOTH LEAVES, 16GA SS, MILL, 0.125 DIA, 1/2IN KNUCKLE	1
3	4001248	GMC/CHEVY US-BIGGER LID ASSEMBLY	1
4	4001242	GMC/CHEVY US-SMALLER LID ASSEMBLY	1
5	4001247	GMC/CHEVY US-STIFFENER BRACKET	1
6	4001246	GMC/CHEVY US-FRONT PANEL	1
7	4001240	GMC/CHEVY US- PARTITION	1
8	1084247	RIVET, STEEL, 1/4 DIA, SHORT GRIP 1/16-5/16, CLOSED	17
9	1084246	RIVET, STEEL, 3/16 DIA, SHORT GRIP 1/16-1/4, CLOSED	17
10	4001677	INSTALL KIT - GMC/CHEVY US	1
11	4001720	CONVOLUTED FOAM-CHARCOAL, 1-1/2" THICK-52" X 13", FOAM FACTORY INC.	1



T 315.595.3300
W opspublicsafety.com

DESCRIPTION
UNDERSEAT STORAGE-
GMC SIERRA 1500 5TH
GEN CHEVY
SILVERADO 1500 4TH
GEN CREW CAB

PART NO.
OPS-US-GM-1500

	NAME	DATE
DRAWN	AD	10/7/2020
CHECKED	LH	10/9/2020

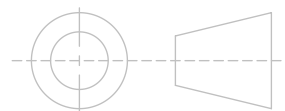
PRODUCTION READY

PROPERTIES

MATERIAL:
THICKNESS: N/A
FINISH:
WEIGHT: 48.336 LB

TOLERANCES UNLESS OTHERWISE SPECIFIED:

X.X ± 0.025
X.XX ± 0.010
X.XXX ± 0.005
X/X ± 1/32
X° ± 1°



DO NOT SCALE DRAWING

PROPRIETARY AND CONFIDENTIAL

THE INFORMATION CONTAINED IN THIS DRAWING IS THE SOLE PROPERTY OF EZSTAK LLC. ANY REPRODUCTION IN PART OR AS A WHOLE WITHOUT THE WRITTEN PERMISSION OF EZSTAK LLC IS PROHIBITED.

SIZE **B** REV **01**

SCALE: 1:8 SHEET 2 OF 3

UNIT: IPS

Deburr All Edges

ONLY FOR BOM-INSTALLATION KIT



T 315.595.3300

W opspublicsafety.com

DESCRIPTION
**INSTALL KIT -
 GMC/CHEVY US**

PART NO.
4001677

	NAME	DATE
DRAWN	AD	10/7/2020
CHECKED	LH	10/9/2020

PRODUCTION READY

PROPERTIES

MATERIAL:

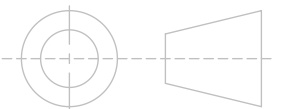
THICKNESS:

FINISH

WEIGHT: 2.094 LB

TOLERANCES UNLESS OTHERWISE SPECIFIED:

- X.X ± 0.025
- X.XX ± 0.010
- X.XXX ± 0.005
- X/X ± 1/32
- X° ± 1°



DO NOT SCALE DRAWING

PROPRIETARY AND CONFIDENTIAL

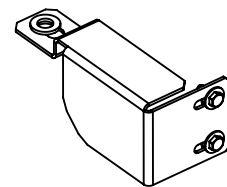
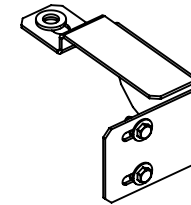
THE INFORMATION CONTAINED IN THIS DRAWING IS THE SOLE PROPERTY OF EZSTAK LLC. ANY REPRODUCTION IN PART OR AS A WHOLE WITHOUT THE WRITTEN PERMISSION OF EZSTAK LLC IS PROHIBITED.

SIZE **B** REV **01**

SCALE: 1:6 SHEET 3 OF 3

UNIT: IPS

Deburr All Edges



ITEM NO.	PART NUMBER	DESCRIPTION	QTY.
1	4001331	GMC/CHEVY US MOUNTING BRACKET-1	1
2	4001332	GMC/CHEVY US MOUNTING BRACKET-2	1
3	1000094	NUT, NYLOX, 1/4-20, ZINC PLATED STEEL	4
4	1089578	WASHER, FLAT, 1/4, 5/16 ID, 3/4 OD, ZINC PLATED	8
5	1262566	BOLT - HEX HEAD 1/4-20 3/4"L G5	4
6	1229431	WASHER - M12	2