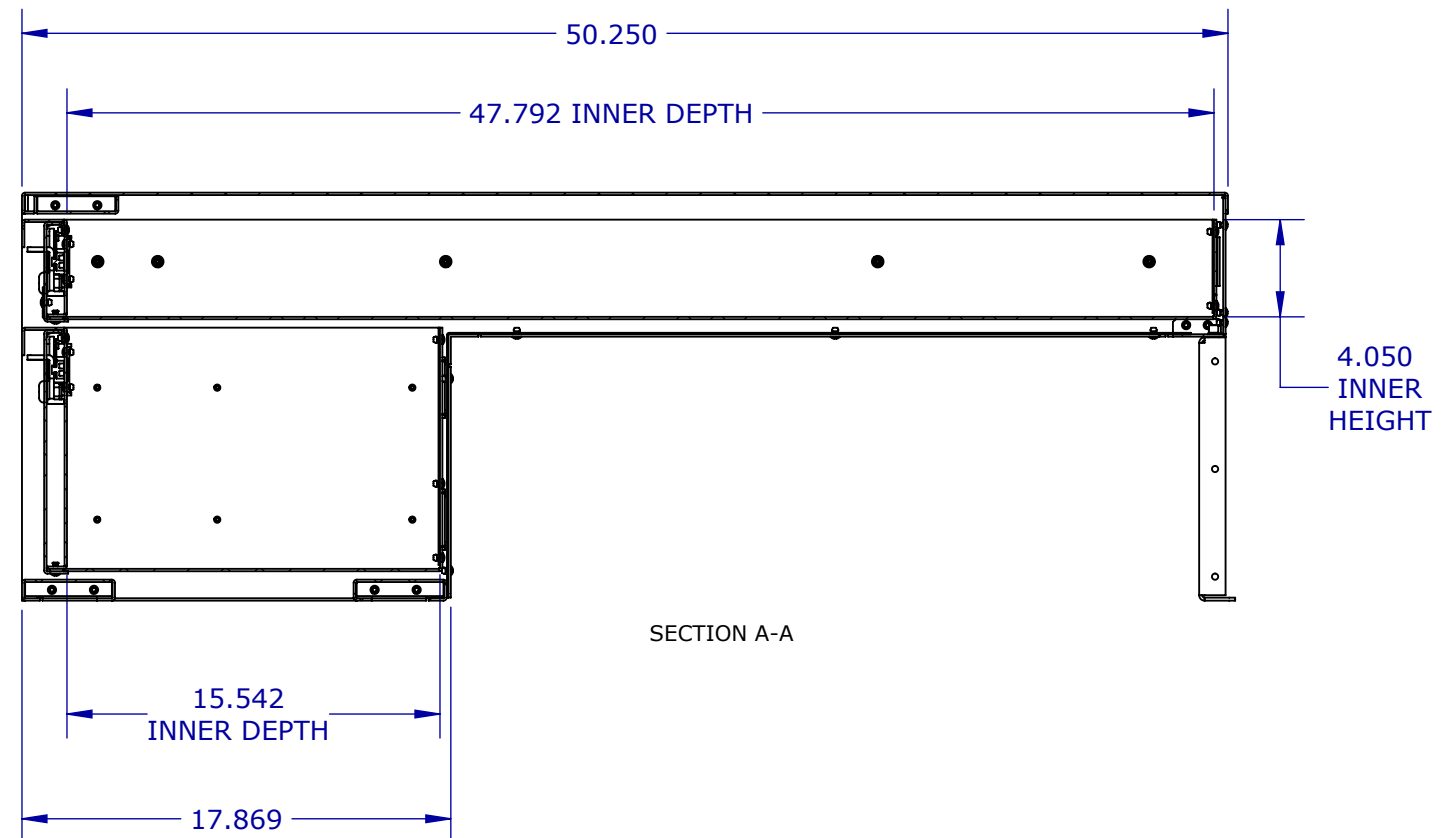
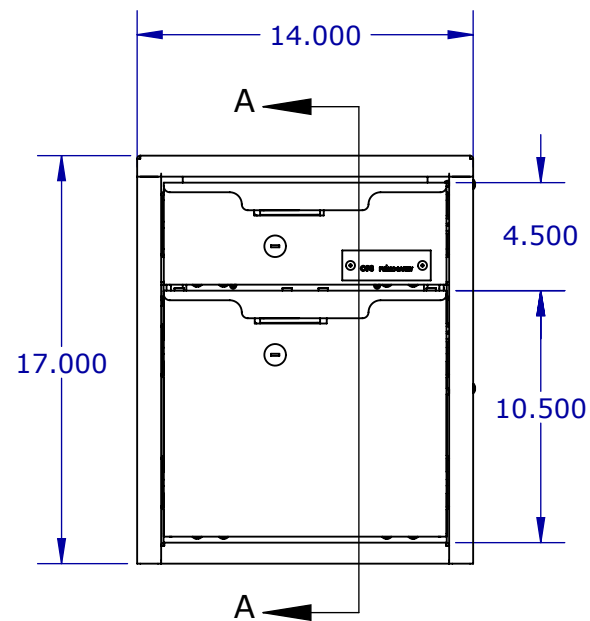
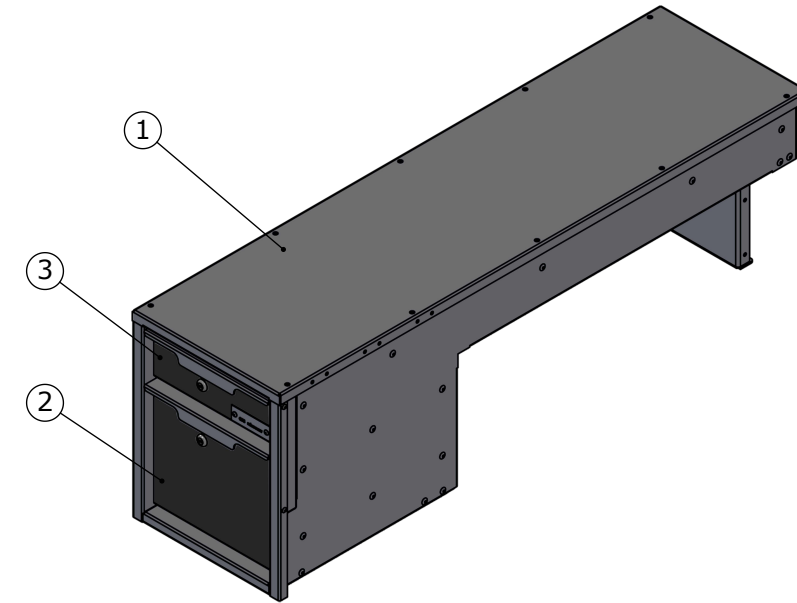


SIDEKICK DRAWER

Fits 2021 Ford F150 Police Responder
SKU-171450.25-001

STANDARDS:

- Aluminum construction
- Anti-skid liner on top
- 2.5" cargo rail on sides and back
- Cylinder keylock
- Top drawer - 4.5"H w/ 500LBS slides
- Bottom drawer - 10.5"H w/ 200LBS slides



| ITEM NO. | PART NUMBER | DESCRIPTION | PS/QTY. | Revision |
|----------|-------------|--------------------------|---------|----------|
| 1 | 1230176 | CABINET ASSEMBLY | 1 | WIP |
| 2 | 1230185 | DRAWER ASSEMBLY - 10.5"H | 1 | WIP |
| 3 | 1230193 | DRAWER ASSEMBLY - 4.5"H | 1 | WIP |

DISCLAIMER: By signing and dating this document, I agree that all specifications, notes and dimensions are clear, correct and in accordance with intended product use, content fit and function and product envelope fit and function. I understand this agreement to be binding and accept that any future change requests will be charged as additional work and managed through revision of this document. All custom orders cannot be cancelled and merchandise cannot be returned. If an order is cancelled by the purchaser after the order has been released to production, EZ STAK reserves the right to charge an order cancellation fee of 40% in addition to the normal restocking fee of 20%.

Signature: _____ Date: _____



PH:(315)595-3300
FAX:(613)546.5489

DESCRIPTION
SIDEKICK DRAWER

PART NO.
SKU-171450.25-001

| | NAME | DATE |
|---------|------|----------|
| DRAWN | VS | 03/01/19 |
| CHECKED | AG | 03/04/19 |

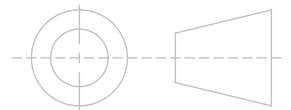
RELEASED TO PRODUCTION

PROPERTIES

MATERIAL: ALUMINUM
THICKNESS: N/A
FINISH: NONE
WEIGHT: 76.28 LB

TOLERANCES UNLESS OTHERWISE SPECIFIED:

X.X ±0.025
X.XX ±0.010
X.XXX ±0.005
X/X ±1/32
X" ±1



DO NOT SCALE DRAWING

PROPRIETARY AND CONFIDENTIAL

THE INFORMATION CONTAINED IN THIS DRAWING IS THE SOLE PROPERTY OF EZSTAK LLC. ANY REPRODUCTION IN PART OR AS A WHOLE WITHOUT THE WRITTEN PERMISSION OF EZSTAK LLC IS PROHIBITED.

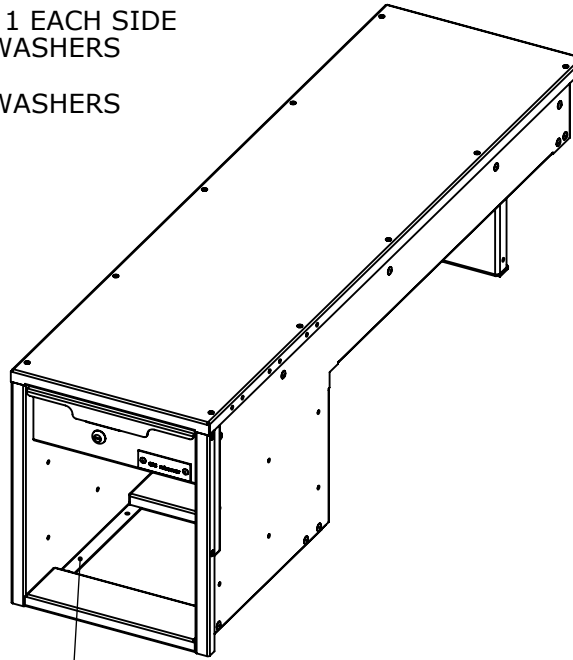
SIZE **B** REV **03**

SCALE: 1:8 SHEET 1 OF 2

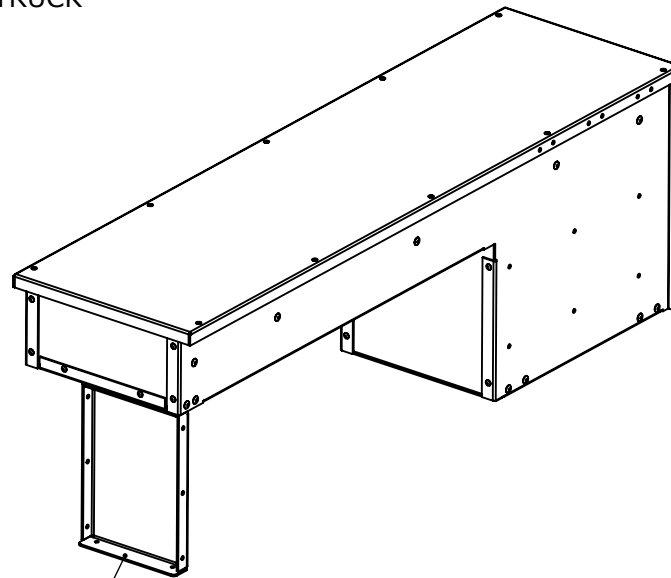
UNIT: IPS

Deburr All Edges

1. PLACE UNIT IN TRUCK BED
2. REMOVE BOTTOM DRAWER
3. DRILL THRU BOTTOM FLANGE & TRUCK BOX IN 2 PLACES 1 EACH SIDE
4. BOLT FRONT DOWN USING 5/16" BOLTS NYLOCK NUT & WASHERS
5. DRILL THRU REAR FLANGE & TRUCK BOX IN 2 PLACES
6. BOLT FRONT DOWN USING 5/16" BOLTS NYLOCK NUT & WASHERS



DRILL THRU THIS FLANGE & BOX OF TRUCK



DRILL THRU THIS FLANGE & BOX OF TRUCK

DESCRIPTION
SIDEKICK DRAWER

PART NO.
SKU-171450.25-001

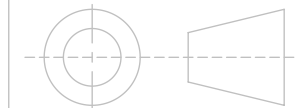
| | NAME | DATE |
|-------------------------------|------|----------|
| DRAWN | VS | 03/01/19 |
| CHECKED | AG | 03/04/19 |
| RELEASED TO PRODUCTION | | |

PROPERTIES

MATERIAL: ALUMINUM
THICKNESS: N/A
FINISH*: NONE
WEIGHT: 76.28 LB

TOLERANCES UNLESS OTHERWISE SPECIFIED:

X.X ± 0.025
X.XX ± 0.010
X.XXX ± 0.005



DO NOT SCALE DRAWING

PROPRIETARY AND CONFIDENTIAL

THE INFORMATION CONTAINED IN THIS DRAWING IS THE SOLE PROPERTY OF EZSTAK LLC. ANY REPRODUCTION IN PART OR AS A WHOLE WITHOUT THE WRITTEN PERMISSION OF EZSTAK LLC IS PROHIBITED.

SIZE **A** REV **03**

SCALE: 1:12 SHEET 2 OF 2

UNIT: IPS

Deburr All Edges