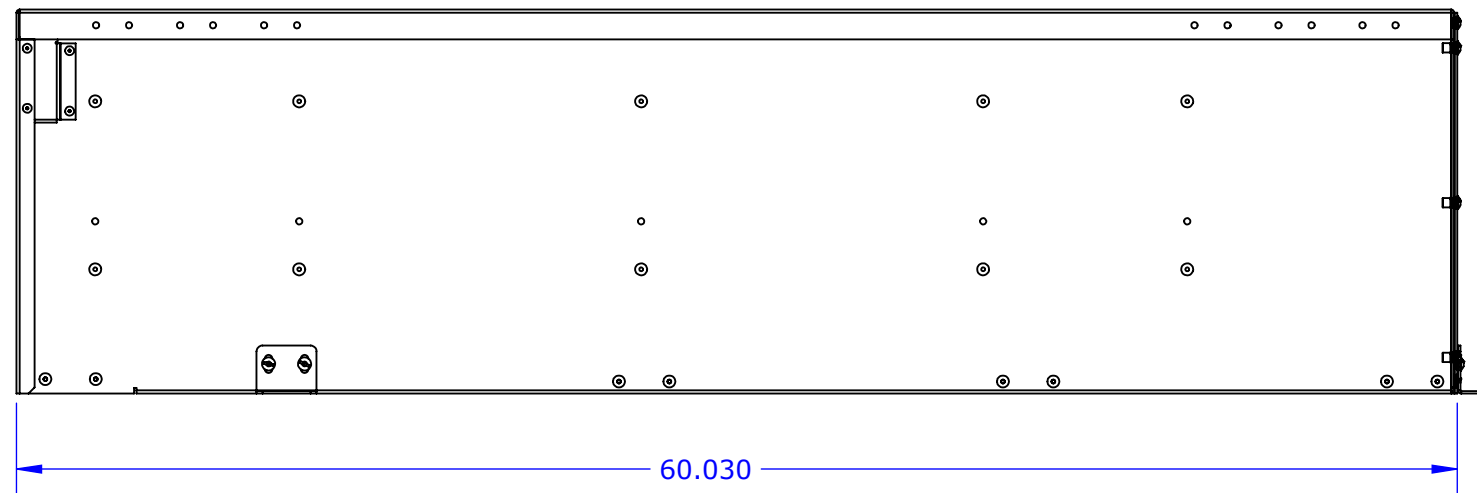
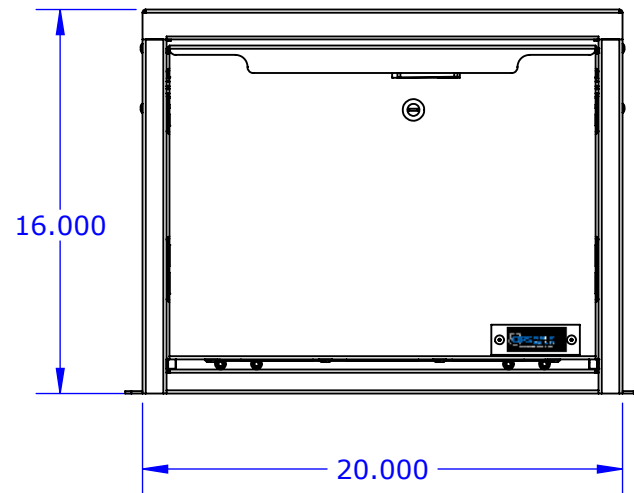
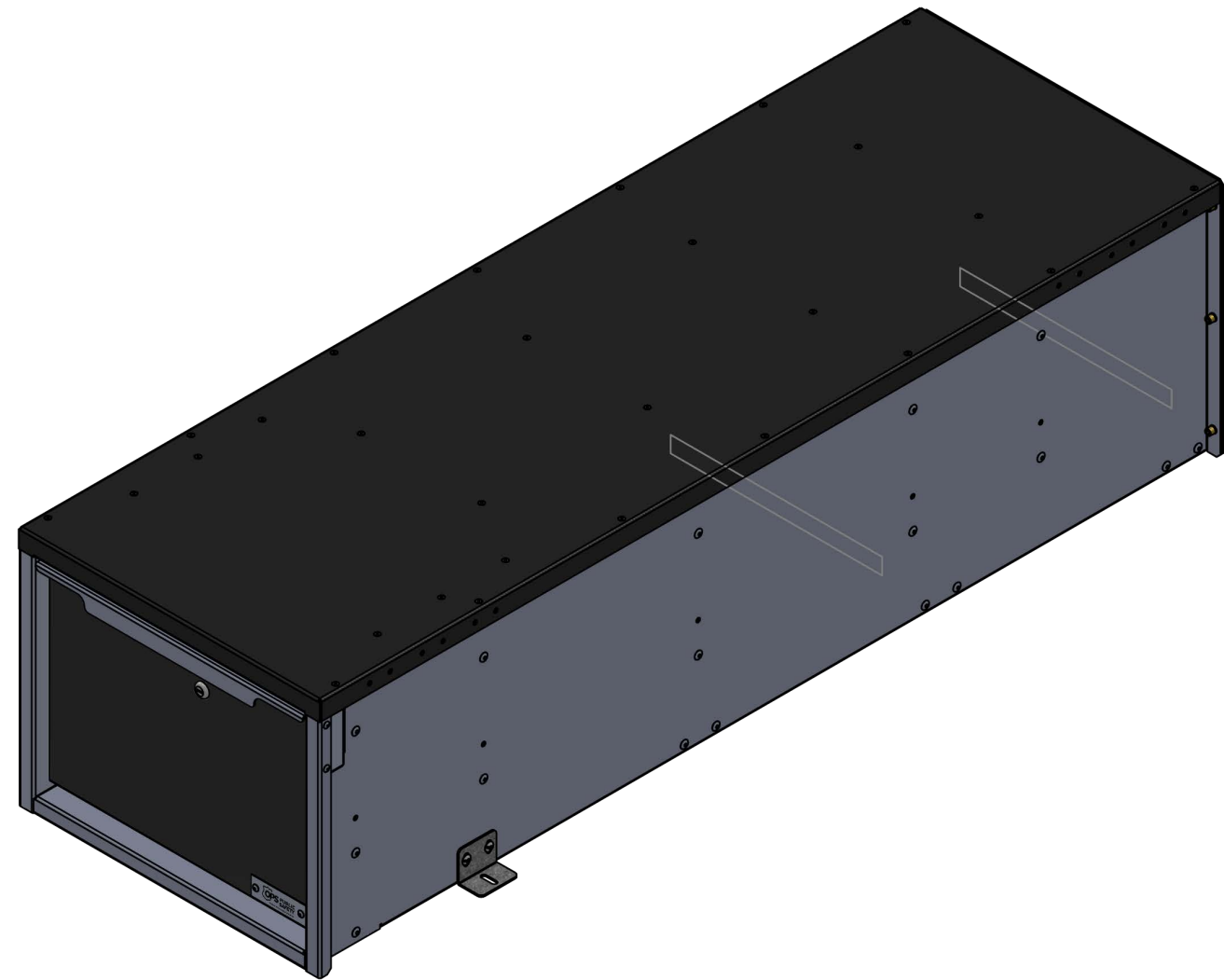


# SINGLE DRAWER SERIES

Fits 2021 Ford F150 Police Responder  
TDU-162060-001

## STANDARDS:

- Aluminum construction
- 1.5" cargo rails on sides and back
- Anti-skid liner on top
- Reinforced top with square tubes
- Cylinder key lock
- 500LBS drawer slides
- 2x side-to-side dividers
- Rubber mat inside drawer
- Mounting brackets included



| ITEM NO. | PART NUMBER | DESCRIPTION      | QTY. | PRODUCTDETAIL |
|----------|-------------|------------------|------|---------------|
| 1        | 1302783     | CABINET ASSEMBLY | 1    |               |
| 2        | 1302767     | DRAWER ASSEMBLY  | 1    |               |

DISCLAIMER: By signing and dating this document, I agree that all specifications, notes and dimensions are clear, correct and in accordance with intended product use, content fit and function and product envelope fit and function. I understand this agreement to be binding and accept that any future change requests will be charged as additional work and managed through revision of this document. All custom orders cannot be cancelled and merchandise cannot be returned. If an order is cancelled by the purchaser after the order has been released to production, EZ STAK reserves the right to charge an order cancellation fee of 40% in addition to the normal restocking fee of 20%.

Signature: \_\_\_\_\_ Date: \_\_\_\_\_

DESCRIPTION  
**TDU MASTER MODEL**

PART NO.  
**TDU-162060-001**

|         | NAME | DATE     |
|---------|------|----------|
| DRAWN   | LH   | 1/9/2019 |
| CHECKED | -    | -        |

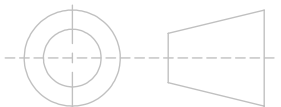
**NOT RELEASED**

### PROPERTIES

MATERIAL: N/A  
THICKNESS: N/A  
FINISH:  
WEIGHT: 140.977 LB

TOLERANCES UNLESS OTHERWISE SPECIFIED:

X.X ± 0.025  
X.XX ± 0.010  
X.XXX ± 0.005



DO NOT SCALE DRAWING

### PROPRIETARY AND CONFIDENTIAL

THE INFORMATION CONTAINED IN THIS DRAWING IS THE SOLE PROPERTY OF EZSTAK LLC. ANY REPRODUCTION IN PART OR AS A WHOLE WITHOUT THE WRITTEN PERMISSION OF EZSTAK LLC IS PROHIBITED.

SIZE **B** REV **C1**

SCALE: 1:16 SHEET 1 OF 1

UNIT: IPS

**Deburr All Edges**