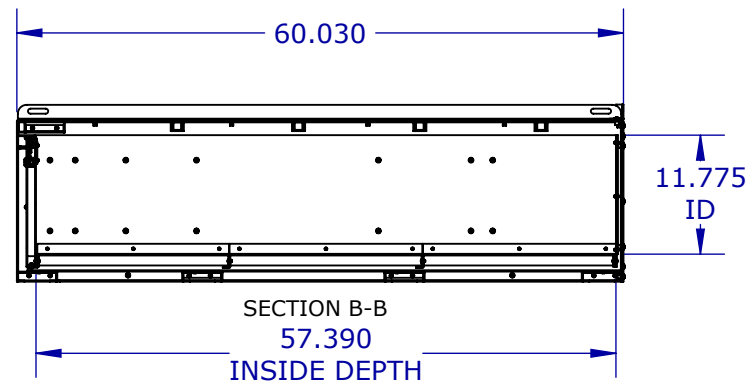
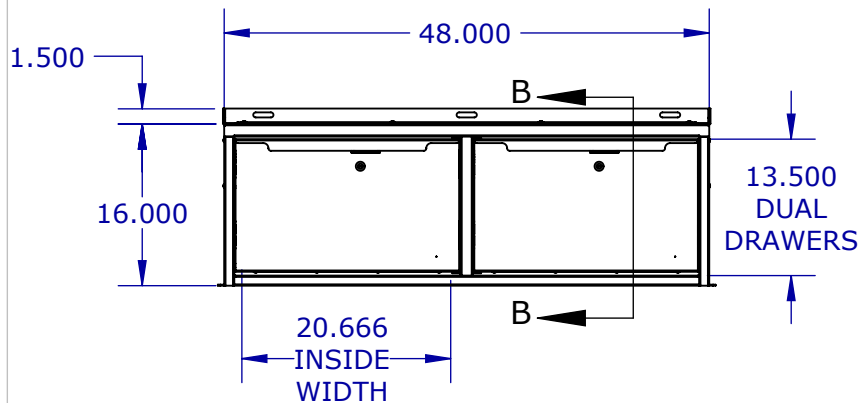
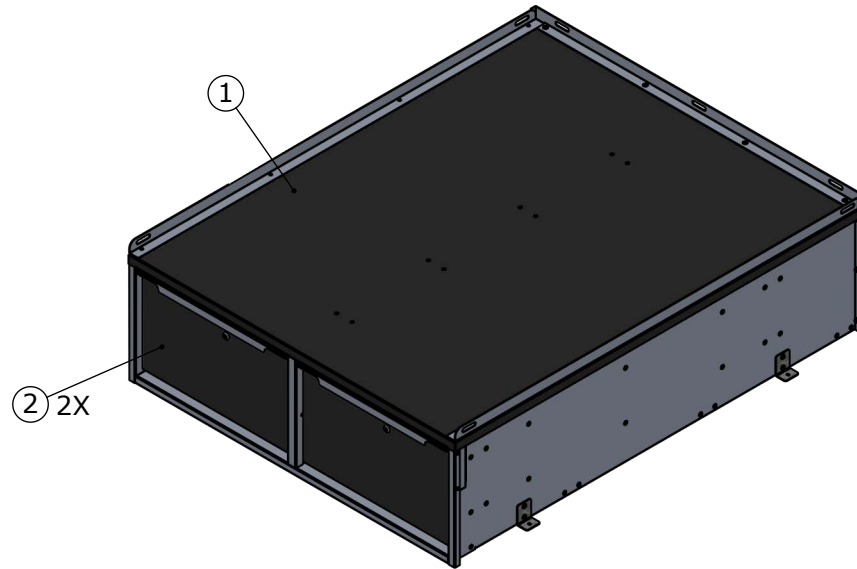


# DUAL DRAWER SERIES

Fits 2021 Ford F150 Police Responder  
TDU-164860-100

## STANDARDS:

- Aluminum construction
- Dual drawers
- 1.5" cargo rails
- Anti-skid liner on top
- Mounting tie-downs and turnbuckles included
- Reinforced top with square tubes
- Cylinder key lock
- 500LBS drawer slides



PH:(315)595-3300  
FAX:(613)546.5489

**DESCRIPTION**  
**DUAL DRAWER SERIES**

**PART NO.**  
**TDU-164860-100**

	NAME	DATE
DRAWN	RK	7/24/2018
CHECKED	AG	Jul 24, 2018

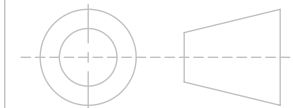
**RELEASED TO PRODUCTION**

## PROPERTIES

MATERIAL: ALUMINIUM  
THICKNESS: N/A  
FINISH: NONE  
WEIGHT: 276.489 LB

TOLERANCES UNLESS OTHERWISE SPECIFIED:

X.X ± 0.025  
X.XX ± 0.010  
X.XXX ± 0.005



DO NOT SCALE DRAWING

**PROPRIETARY AND CONFIDENTIAL**  
THE INFORMATION CONTAINED IN THIS DRAWING IS THE SOLE PROPERTY OF EZSTAK LLC. ANY REPRODUCTION IN PART OR AS A WHOLE WITHOUT THE WRITTEN PERMISSION OF EZSTAK LLC IS PROHIBITED.

SIZE **A** REV **01**

SCALE: 1:19 SHEET 1 OF 1

UNIT: IPS

**Deburr All Edges**

ITEM NO.	PART NUMBER	DESCRIPTION	QTY.	Revision
1	1225471	CABINET ASSEMBLY	1	01
2	1225488	DRAWER ASSEMBLY - 13.5"H	2	-