

DUAL DRAWER SERIES WITH ROLL-OUT TRAY

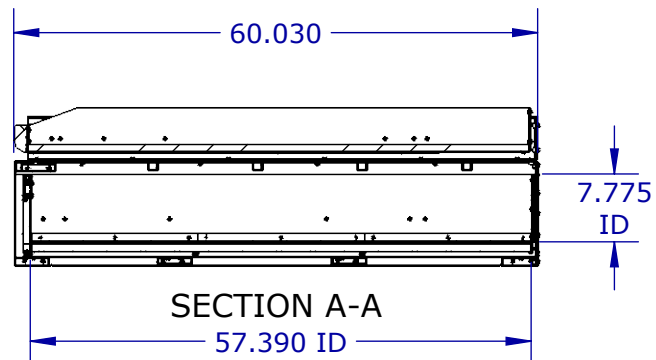
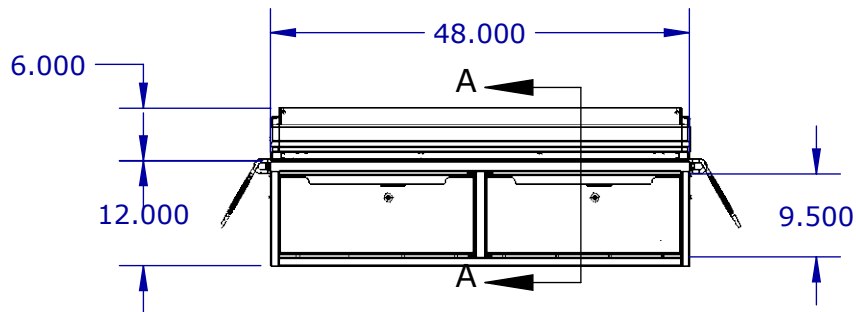
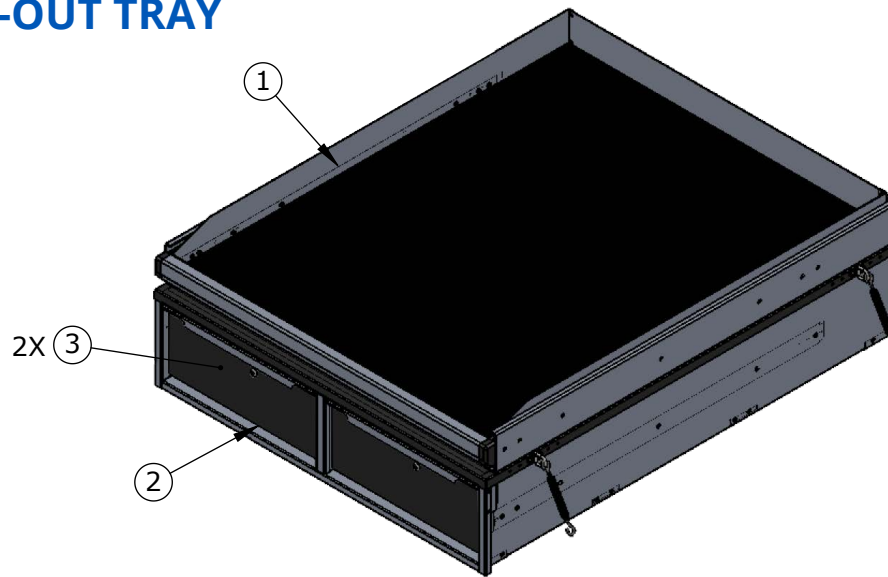
Fits 2021 Ford F150 Police Responder
TDU-184860-501

STANDARDS (DUAL DRAWERS):

- Aluminum construction
- Dual drawers
- 1.5" cargo rails
- Anti-skid liner on top
- Mounting tie-downs and turnbuckles included
- Reinforced top with square tubes
- Cylinder key lock
- 500LBS drawer slides
- Rubber matting inside both drawers

STANDARDS (ROLL-OUT TRAY):

- Plywood base
- 500LBS lock-in, lock-out slides



| ITEM NO. | PART NUMBER | DESCRIPTION | QTY. | Revision |
|----------|-------------|------------------|------|----------|
| 1 | 1214247 | ROLL-OUT TRAY | 1 | - |
| 2 | 1214089 | CABINET ASSEMBLY | 1 | - |
| 3 | 1214106 | DRAWER ASSEMBLY | 2 | - |



Mobile Workspace Systems

PH:(315)595-3300
FAX:(613)546.5489

DESCRIPTION
DUAL DRAWER SERIES WITH ROLL-OUT TRAY

PART NO.
TDU-184860-501

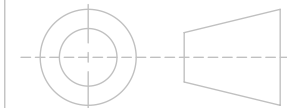
| | NAME | DATE |
|-------------------------------|------|--------------|
| DRAWN | DDR | 06/25/2018 |
| CHECKED | RK | Jun 27, 2018 |
| RELEASED TO PRODUCTION | | |

PROPERTIES

MATERIAL: N/A
THICKNESS: N/A
FINISH*
WEIGHT: 332.329 LB

TOLERANCES UNLESS OTHERWISE SPECIFIED:

X.X ± 0.025
X.XX ± 0.010
X.XXX ± 0.005



DO NOT SCALE DRAWING

PROPRIETARY AND CONFIDENTIAL
THE INFORMATION CONTAINED IN THIS DRAWING IS THE SOLE PROPERTY OF EZSTAK LLC. ANY REPRODUCTION IN PART OR AS A WHOLE WITHOUT THE WRITTEN PERMISSION OF EZSTAK LLC IS PROHIBITED.

SIZE REV
A -

SCALE: 1:22 SHEET 1 OF 1

UNIT: IPS

Deburr All Edges