

MAXIMIZER SERIES WITH ROLL-OUT TRAY

Fits 2021 Ford F150 Police Responder
TDU-236060-601

STANDARDS (MIDDLE DRAWER):

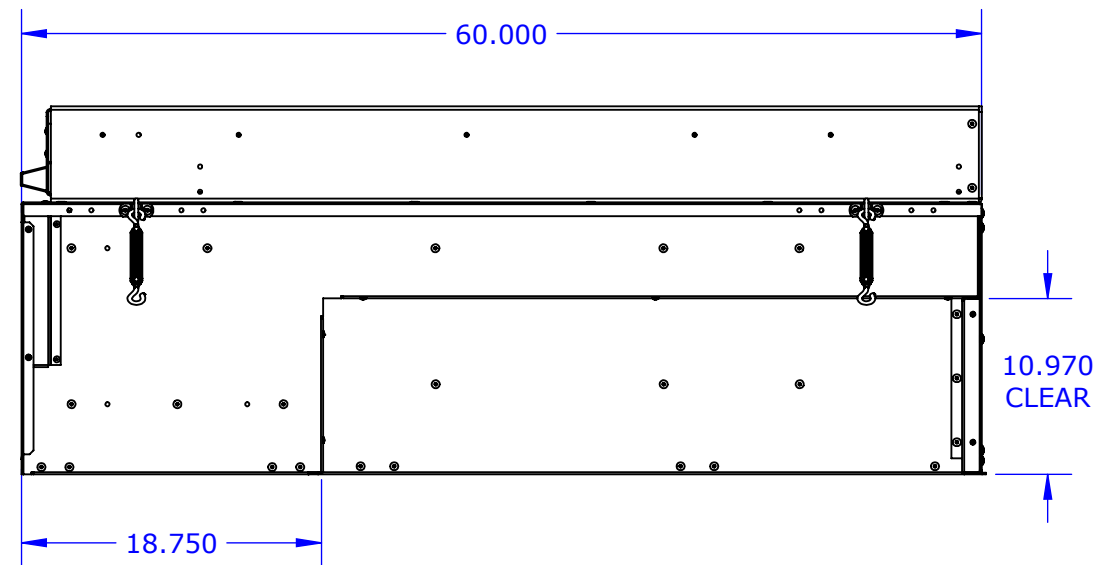
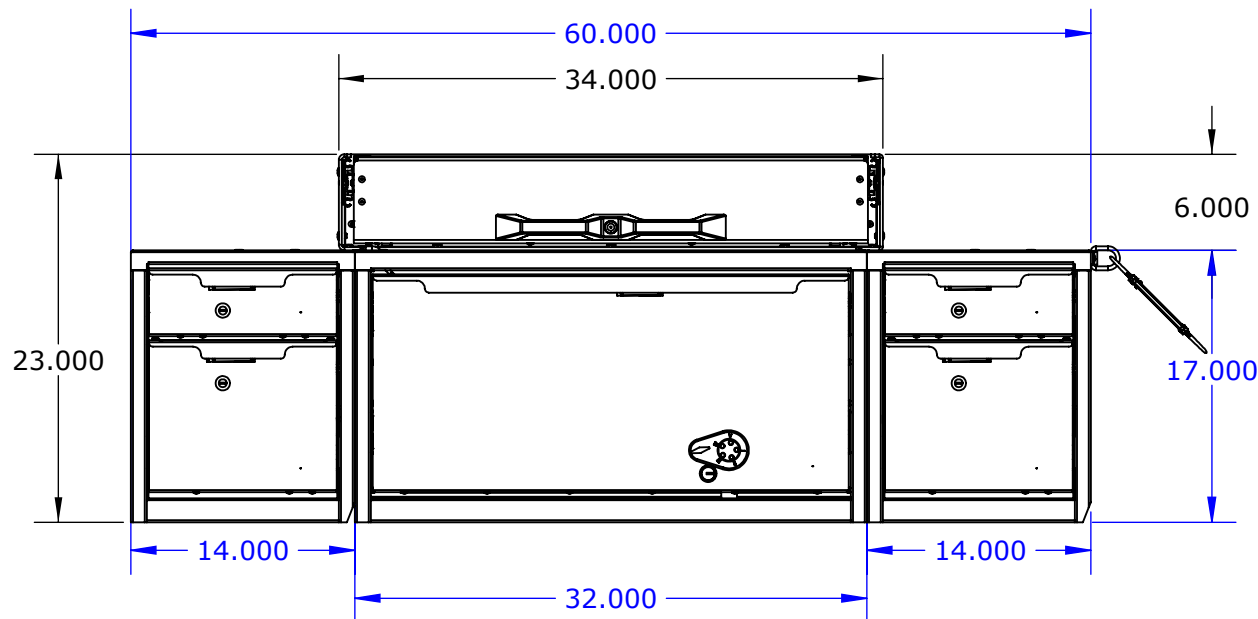
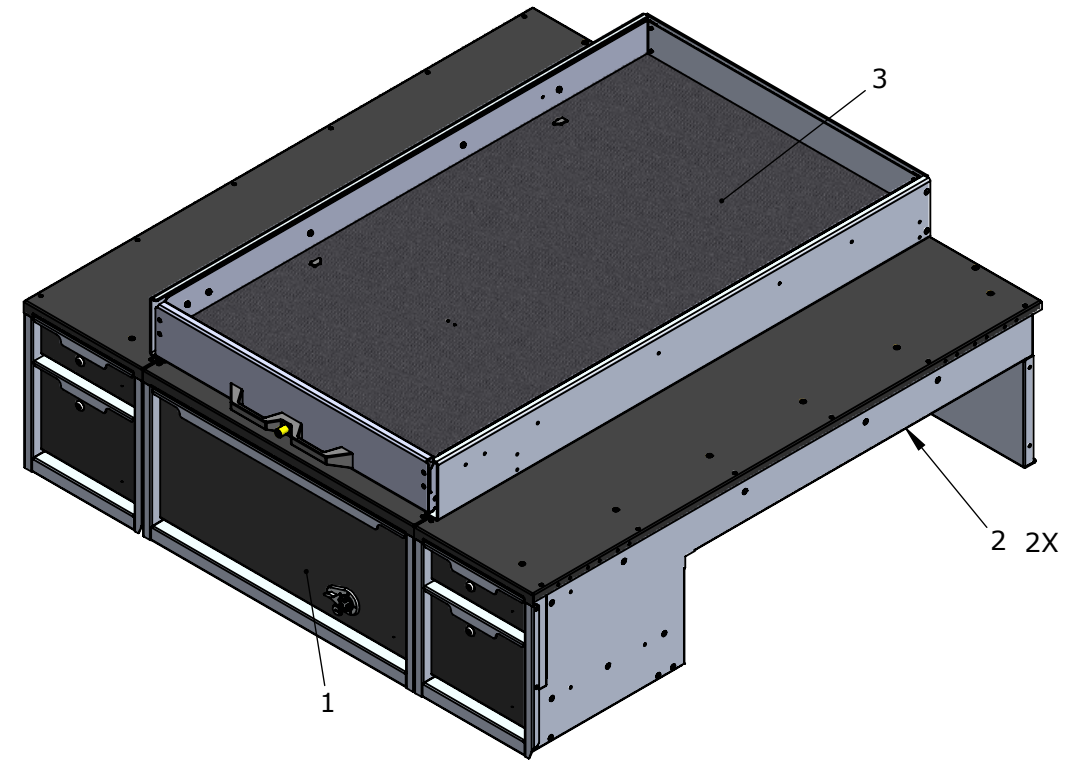
- 14.5"H x 32"W x 60"D
- Tuxedo black power coating
- Simplex push button lock
- 2x 500LBS slides, 48" extension
- 2x side-to-side dividers
- Rubber matting

STANDARDS (SIDE DRAWERS):

- Aluminum construction
- Anti-skid liner on top
- 2.5" cargo rail on sides and back
- Cylinder key lock
- Top drawer - 4.5"H w/ 500LBS slides
- Bottom drawer - 10.5"H w/ 200LBS slides
- Rubber mat per drawer
- Rear leg support

STANDARDS (ROLL-OUT TRAY):

- Plywood base
- 500LBS lock-in, lock-out slides



FORD F-150 5.5' BED

ITEM NO.	PART NUMBER	DESCRIPTION	Default/QTY.	Revision
1	TDU-173260-002	SINGLE DRAWER SERIES	1	01
2	SKU-171460-001	SIDE KICK UNIT	2	01
3	Assem1^TDU-236060-601	SLIDE OUT TRAY	1	

DISCLAIMER: By signing and dating this document, I agree that all specifications, notes and dimensions are clear, correct and in accordance with intended product use, content fit and function and product envelope fit and function. I understand this agreement to be binding and accept that any future change requests will be charged as additional work and managed through revision of this document. All custom orders cannot be cancelled and merchandise cannot be returned. If an order is cancelled by the purchaser after the order has been released to production, EZ STAK reserves the right to charge an order cancellation fee of 40% in addition to the normal restocking fee of 20%.

Signature: _____ Date: _____

DESCRIPTION
MAXIMIZER SERIES WITH ROLL-OUT TRAY

PART NO.
TDU-236060-601

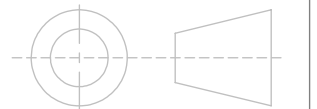
	NAME	DATE
DRAWN	LH	1/31/2019
CHECKED		
NOT RELEASED		

PROPERTIES

MATERIAL:	ALUMINIUM
THICKNESS:	N/A
FINISH:	NONE
WEIGHT:	426.551 LB

TOLERANCES UNLESS OTHERWISE SPECIFIED:

X.X	± 0.025
X.XX	± 0.010
X.XXX	± 0.005
X/X	± 1/32
X°	± 1°



DO NOT SCALE DRAWING

PROPRIETARY AND CONFIDENTIAL

THE INFORMATION CONTAINED IN THIS DRAWING IS THE SOLE PROPERTY OF EZSTAK LLC. ANY REPRODUCTION IN PART OR AS A WHOLE WITHOUT THE WRITTEN PERMISSION OF EZSTAK LLC IS PROHIBITED.

SIZE **B** REV **C1**

SCALE: 1:24 SHEET 1 OF 3

UNIT: IPS

Deburr All Edges