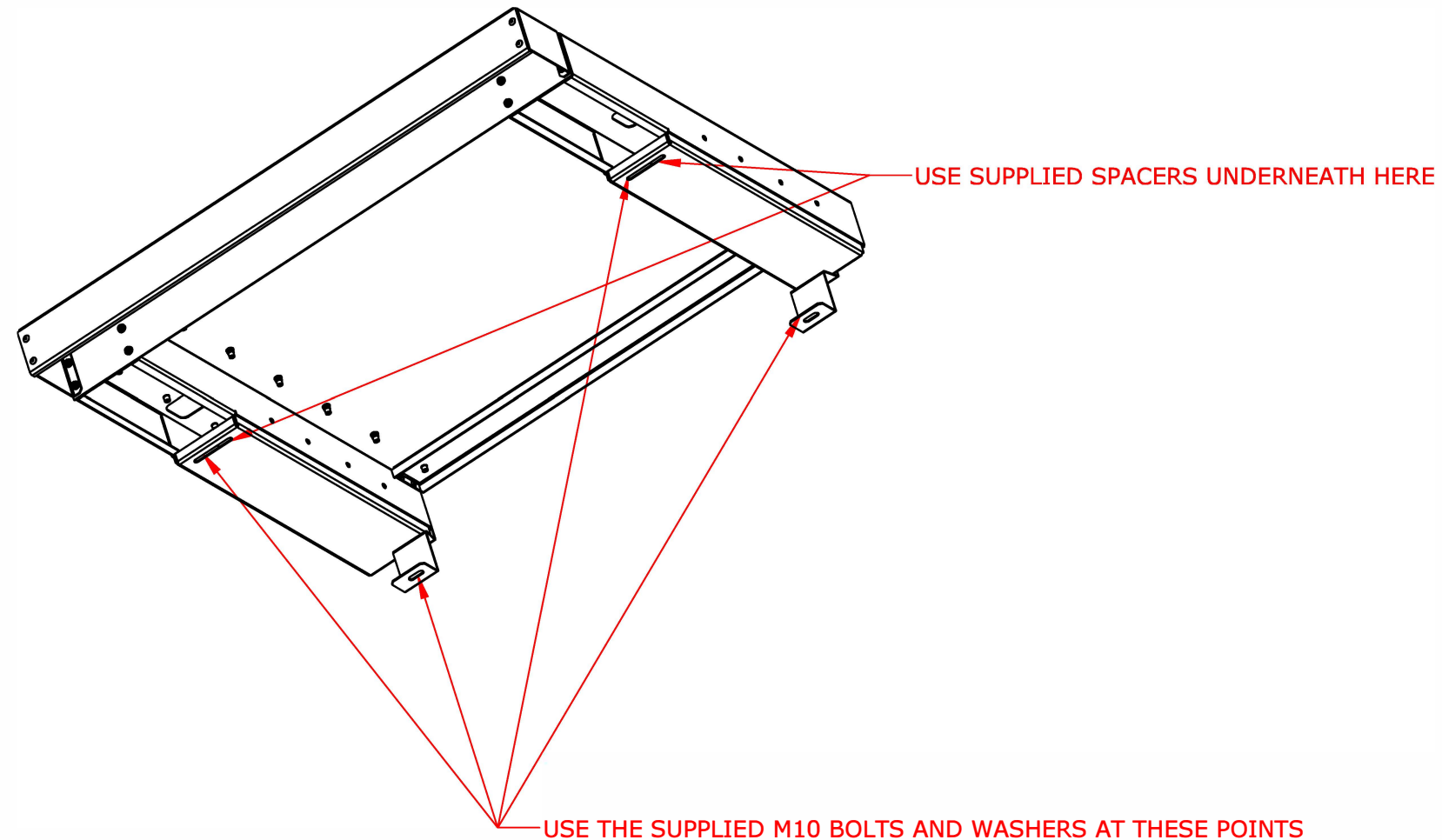


## INSTALL INSTRUCTIONS:

1. REMOVE OEM CARPET FROM REAR CARGO AREA.
2. LOCATE AND MARK OEM MOUNTING LOCATIONS ON CARPET (X4) BEFORE REMOVING.
3. CUT 1" X 1" HOLES IN THE CARPET AT EACH MARKED MOUNTING LOCATION.
4. REPLACE THE OEM CARPET ON THE REAR CARGO FLOOR.
5. PLACE THE ASSEMBLED MOUNTING BASE CTU-1000 INTO REAR CARGO AREA SO THAT MOUNTING LOCATIONS ARE APPROXIMATELY ALIGNED.
6. USE SUPPLIED SPACERS (X2) AT LOCATIONS SHOWN BELOW AT SLOTTED MOUNTING LOCATIONS.
7. LOOSELY INSTALL M10 BOLTS (X4) SUPPLIED BY OPS; BOLTS **MUST** GO THROUGH SPACERS.
8. ENSURE MOUNTING BASE IS SQUARE BEFORE TIGHTENING BOLTS.
9. TIGHTEN BOLTS WITH TORQUE WRENCH TO 51 Nm/38.25 ft-lb.
10. TOP PANEL IN MOUNTING BASE IS DESIGNED TO ALLOW CABINET MOUNTING FOR VARIED WIDTHS SUCH AS 46"W, 44"W, 40"W AND 26"W. USE SUPPLIED BOLTS TO INSTALL CABINET IN PRE-INSTALLED RIVNUTS.



PART NO.  
**CTU-1000**

DESCRIPTION  
**INSTALLATION  
BASE, CHEVY  
TAHOE, 2021-  
PRESENT**

	NAME	DATE
DRAWN BY	LH	03/30/2021
REV BY	VSi	04/02/2021
APPVD BY	VK	4/2/2021

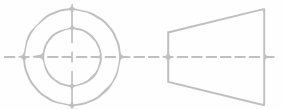
**PRODUCTION READY**

### PROPERTIES

MATERIAL: ALUMINUM  
THICKNESS: 0.1 (MOST COMMON)  
WEIGHT: 48.60211 LB  
FINISH:  
SIDES:

TOLERANCES UNLESS OTHERWISE SPECIFIED:

X.X±0.100"  
X.XX±0.010"  
X.XXX±0.010"  
X/X ±1/16"  
X°±1°



DO NOT SCALE DRAWING

### PROPRIETARY AND CONFIDENTIAL

THE INFORMATION CONTAINED IN THIS DRAWING IS THE SOLE PROPERTY OF EZSTAK LLC. ANY REPRODUCTION IN PART OR AS A WHOLE WITHOUT THE WRITTEN PERMISSION OF EZSTAK LLC IS PROHIBITED.

SIZE REV  
**B 03**

SCALE: 1:12 SHEET 5 OF 5

UNIT: IPS

**Deburr All Edges**