

HFI 7? '6CL I B=H

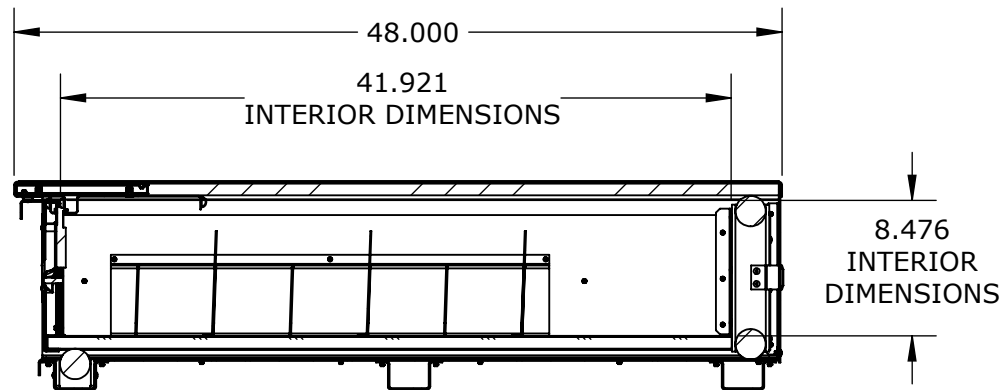
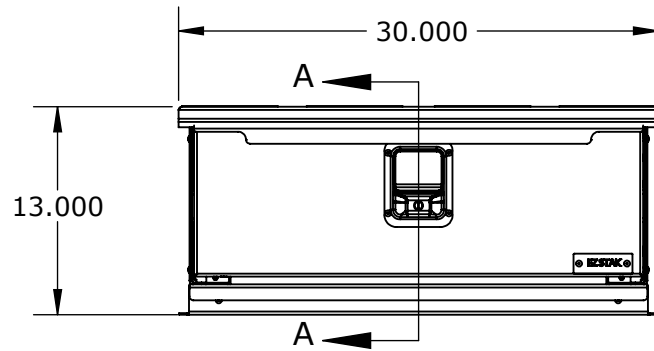
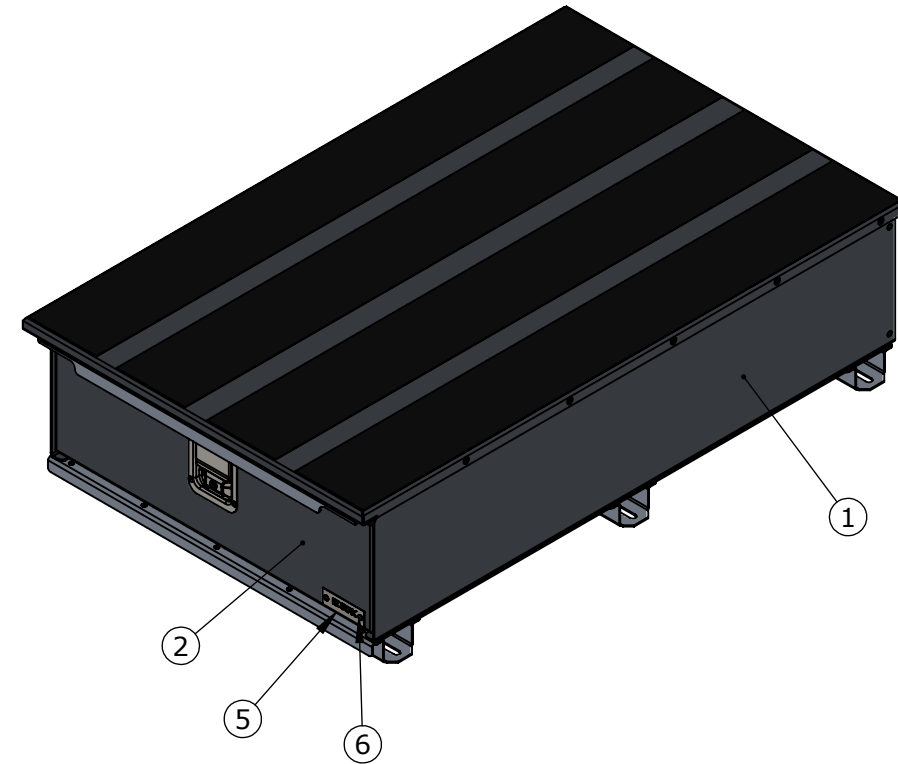
H6I !% !' \$(, !%\$\$

NOTES:

- ALUMINUM CONSTRUCTION
- 1 DRAWER, LOAD CAPACITY: 225 LB
- CABINET TOP LOAD CAPACITY: 750 LB
- PADDLE LATCHES, KEY-LOCKING
- ANTI-FRICTION STRIPS ON TOP OF CABINET
- BOM OF TBU INSTALL KIT IS ON NEXT PAGE

OPTIONS:

- DRAWER DIVIDERS
- DRAWER RUBBER MATTING



SECTION A-A

ITEM NO.	PART NUMBER	DESCRIPTION	QTY.
1	4004681	TBU 13 X 30 X 48 CABINET ASSEMBLY	1
2	4004694	TBU 13 X 30 X 48 DRAWER ASSEMBLY	1
3	4004680	RUBBER MAT, 26.450W x 40.925D	1
4	4004693	TBU 13 X 30 X 48 SxS DIVIDER	3
5	1288163	TAG, EZ STAK, BLACK GRAPHICS, LASER CUT 2 HOLES, STAINLESS STEEL	1
6	1000088	RIVET, ALUMINUM, 3/16 DIA, SHORT GRIP 1/16-1/4, CLOSED	2
7	4004656	TBU INSTALL KIT	1



T 315.595.3300
W ezstak.com

PART NO.
TBU-13-30-48-100

DESCRIPTION
TRUCK BOX UNIT
13 X 30 X 48

	NAME	DATE
DRAWN BY	KO	04/13/2021
REV BY		
APPVD BY	AD	04/15/2021

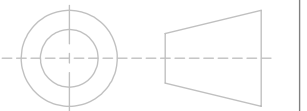
PRODUCTION READY

PROPERTIES

MATERIAL: ALUMINIUM
THICKNESS:
WEIGHT: 148.810 LB
FINISH:
SIDES:

TOLERANCES UNLESS OTHERWISE SPECIFIED:

- X.X ± 0.100"
- X.XX ± 0.010"
- X.XXX ± 0.010"
- X/X ± 1/16"
- X° ± 1°



DO NOT SCALE DRAWING

PROPRIETARY AND CONFIDENTIAL

THE INFORMATION CONTAINED IN THIS DRAWING IS THE SOLE PROPERTY OF EZSTAK LLC. ANY REPRODUCTION IN PART OR AS A WHOLE WITHOUT THE WRITTEN PERMISSION OF EZSTAK LLC IS PROHIBITED.

SIZE REV
B 01

SCALE: 1:12 SHEET 1 OF 2

UNIT: IPS

Deburr All Edges

PART NO.
4004656

DESCRIPTION
TBU INSTALL KIT

	NAME	DATE
DRAWN BY	KO	04/13/2021
REV BY		02/02/2021
APPVD BY	AD	04/15/2021

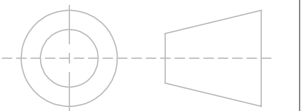
PRODUCTION READY

PROPERTIES

MATERIAL:
THICKNESS:
WEIGHT: 0.701 LB
FINISH: N
SIDES: 2

TOLERANCES UNLESS OTHERWISE SPECIFIED:

X.X ±0.100"
X.XX ±0.010"
X.XXX ±0.010"
X/X ±1/16"
X° ±1°



DO NOT SCALE DRAWING

PROPRIETARY AND CONFIDENTIAL

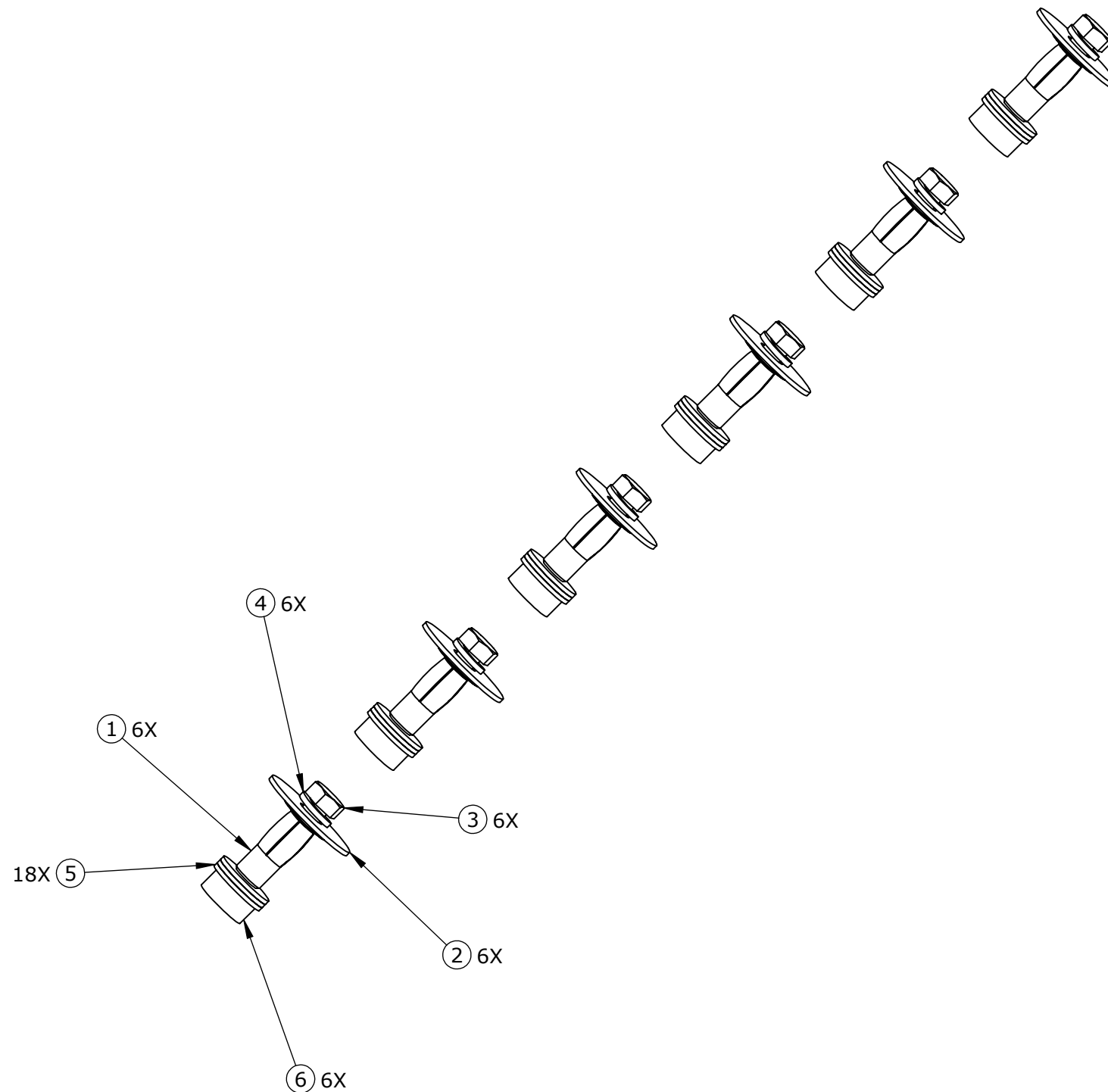
THE INFORMATION CONTAINED IN THIS DRAWING IS THE SOLE PROPERTY OF EZSTAK LLC. ANY REPRODUCTION IN PART OR AS A WHOLE WITHOUT THE WRITTEN PERMISSION OF EZSTAK LLC IS PROHIBITED.

SIZE REV
B 01

SCALE: 1:4 SHEET 2 OF 2

UNIT: IPS

Deburr All Edges



NOTE: PUT ALL THE FASTENERS OF THE TBU INSTALL KIT IN A PLASTIC BAG

TBU INSTALL KIT BOM:

ITEM NO.	PART NUMBER	DESCRIPTION	QTY.
1	1432433	PLUS NUT-5/16"-18 THREAD, FOR 0.020"-0.280", ZINC PLATED, STEEL	6
2	1223186	WASHER, FENDER, 5/16 X 1.5 OD, 0.062 THICK, LOW CARBON ZN FINISH STEEL	6
3	1283922	BOLT - Hex Head 5/16 -18 x1.75L" G5	6
4	1432428	WASHER, SPLIT LOCK, 5/16", 0.583" OD, STEEL	6
5	1267658	WASHER - 5/16"X7/8"OD (1/16"Thickness)	18
6	1441571	SPACER, ROUND, UNTHREADED, 3/4" OD, 5/16" L, FOR 5/16" SCREW SIZE, ALUMINUM, 92510A493	6