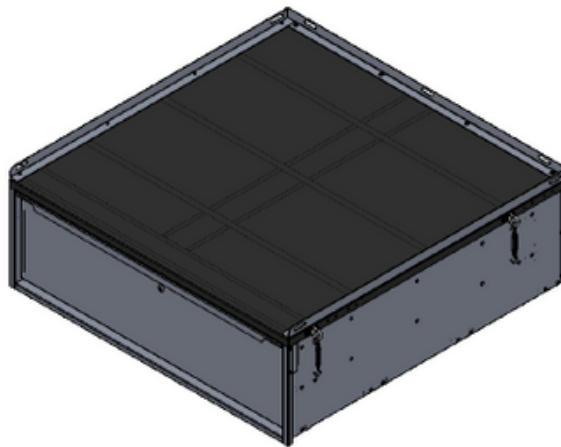
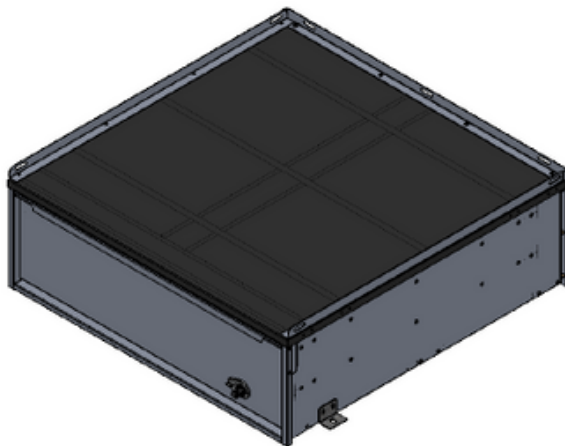


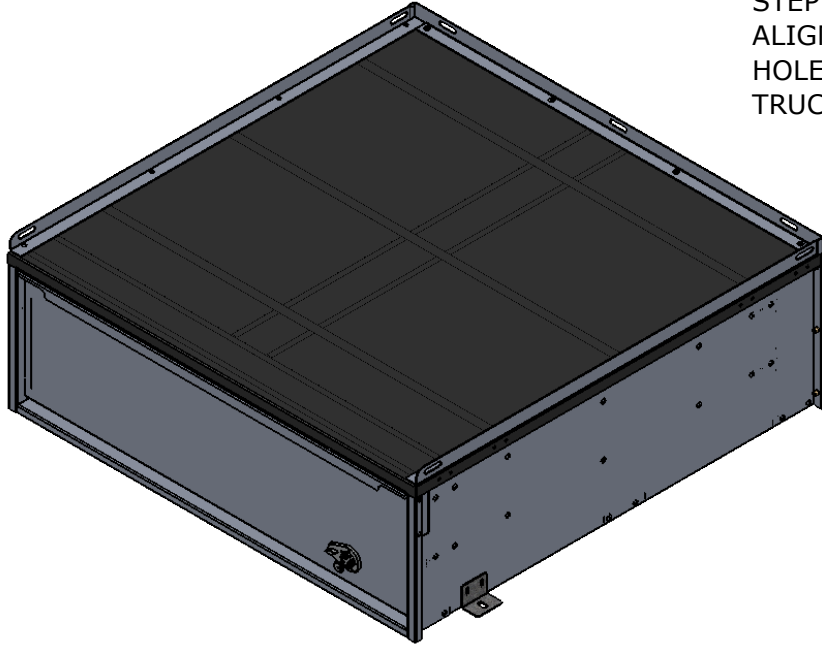


# INSTALLATION INSTRUCTIONS

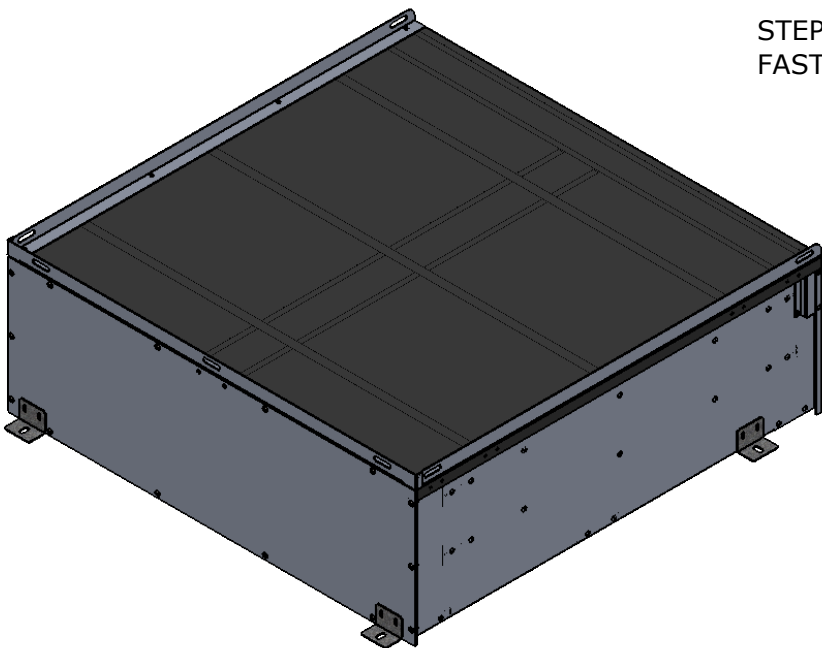
## Truck Drawer Unit



## TDU INSTALLATION WITH MOUNTING BRACKETS



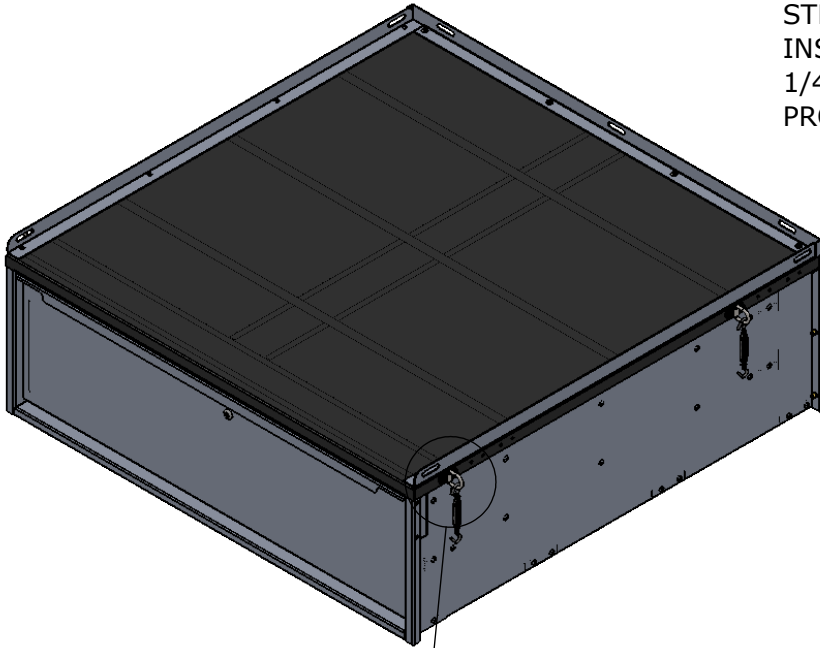
**STEP 1:**  
ALIGN UNIT IN CORRECT POSITION AND DRILL HOLES FOR MOUNTING BRACKETS IN BOTH THE TRUCK BED AND CABINET



**STEP 2:**  
FASTEN UNIT TO VEHICLE USING BOLTS

## TDU INSTALLATION WITH TURNBUCKLES

**STEP 1:**  
INSTALL THE D-RINGS TO SIDE OF CABINET USING 1/4" BOLTS AND NUTS. MULTIPLE HOLES ARE PROVIDED FOR SUITABLE POSITIONING



**STEP 2:**  
ADJUST THE TURNBUCKLE TO HOOK ON THE TIE-DOWN RINGS IN THE TRUCK BED

