

NOTES:

- ALUMINUM CONSTRUCTION
- POWDERCOAT OPTION "B": TOP PANEL AND DRAWER/DOOR FACES
- FULLY POWDERCOATED CARGO BARRIER

CABINET :

- 1.5" CARGO RAIL AT SIDES
- REAR CARGO BARRIER W. DIAMOND CUTOUTS

LEFT TOP DRAWER:

- 500LBS DRAWER SLIDES
- 2X SIDE TO SIDE DIVIDERS
- KEY LOCKING

LEFT BOTTOM DRAWER:

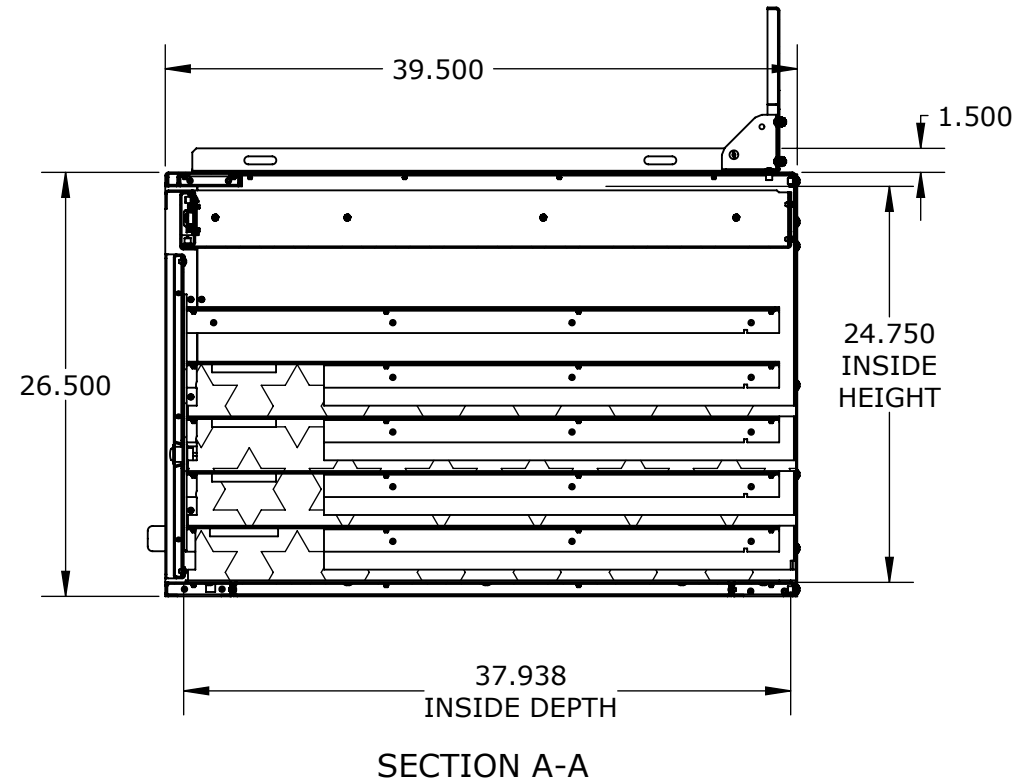
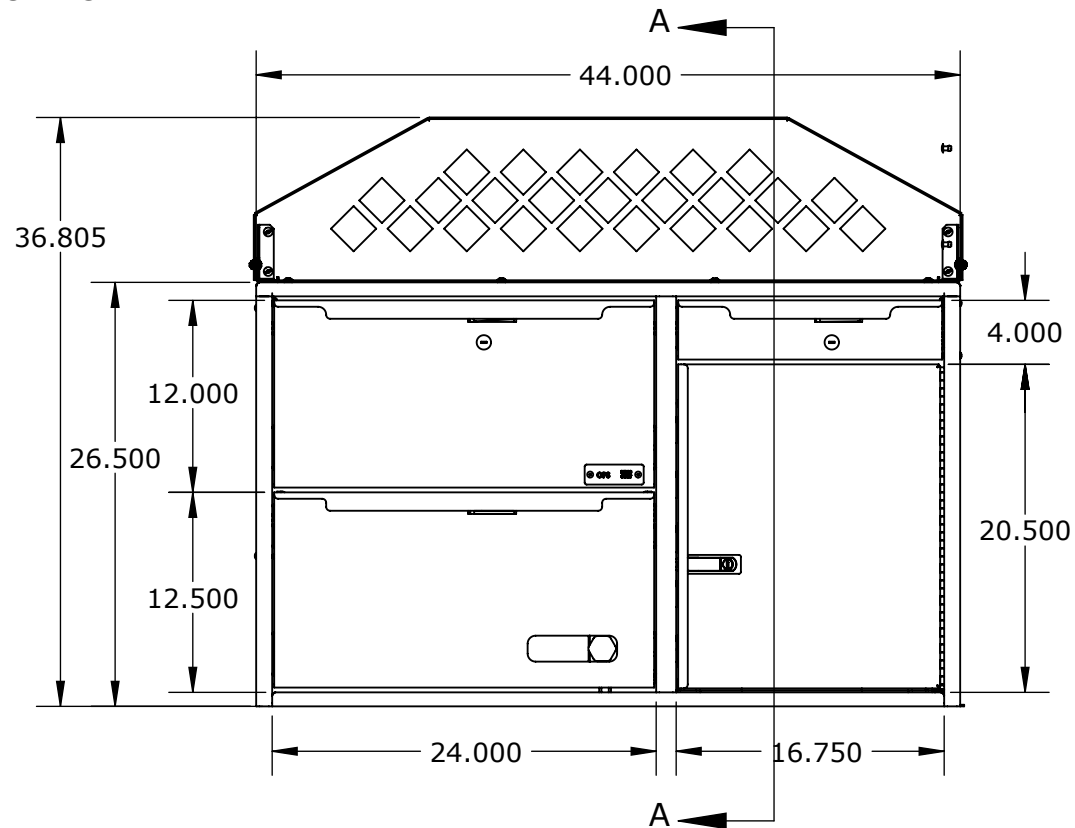
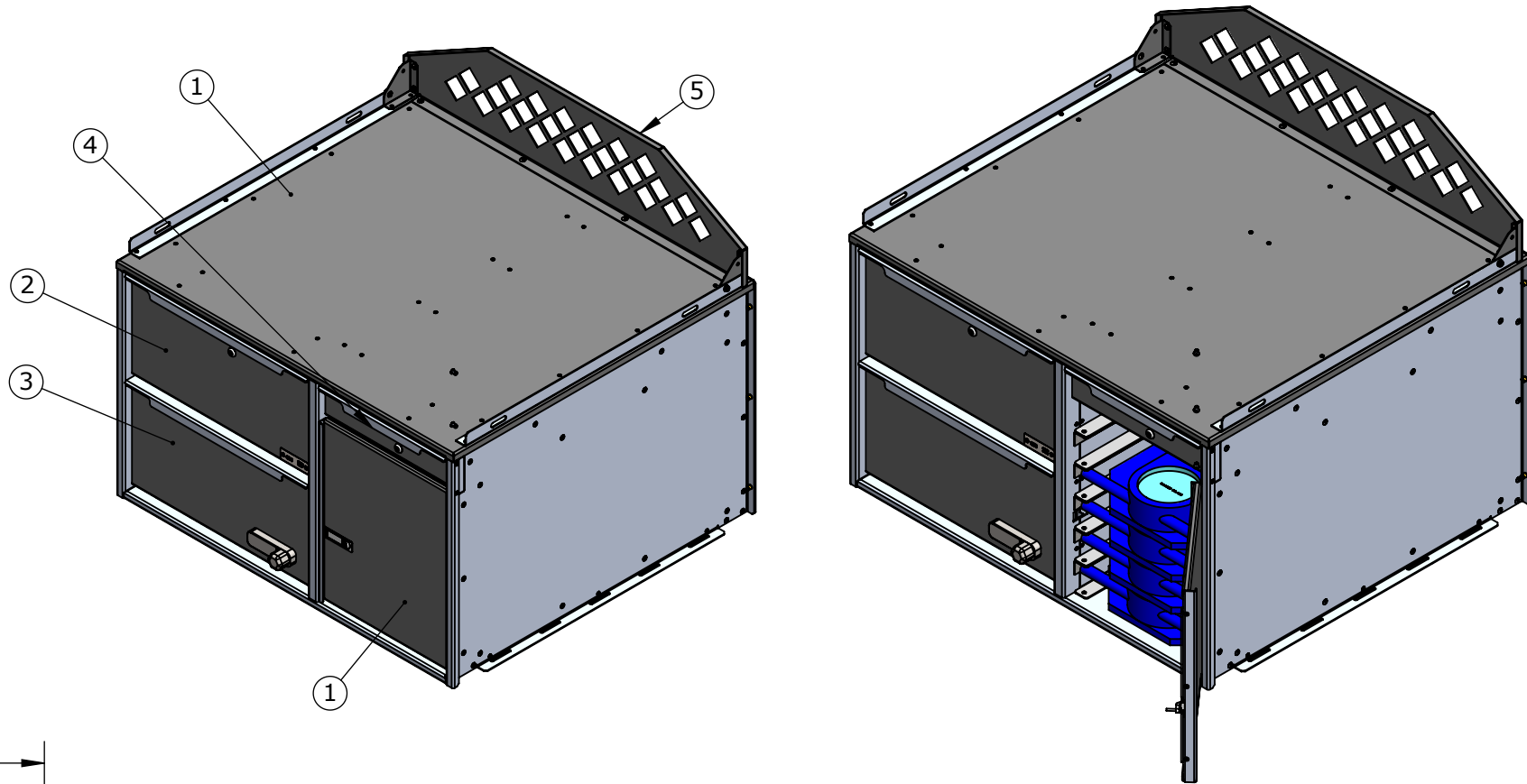
- 2X 500LB DRAWER SLIDES
- 2X FRONT TO BACK DIVIDERS
- PUSH-BUTTON LOCK

RIGHT BOTTOM CABINET:

- STORAGE FOR 6 X HAENNI WL-101 SCALES (3"H X 15.5"W X 38"D)
- TRIGGER LATCH W/ KEY LOCK

RIGHT TOP DRAWER:

- 500LB DRAWER SLIDES
- KEY LOCKING



ITEM NO.	PART NUMBER	DESCRIPTION	QTY.
1	1466088	CABINET ASSEMBLY	1
2	1466075	DRAWER ASSEMBLY- 12"H	1
3	1466145	OPS RD, DRAWER, 12.5H x 26W x 36D, CODELOCK, AL	1
4	1466069	DRAWER ASSEMBLY-4"H	1
5	1466066	BARRIER ASSEMBLY	1

DISCLAIMER: By signing and dating this document, I agree that all specifications, notes and dimensions are clear, correct and in accordance with intended product use, content fit and function and product envelope fit and function. I understand this agreement to be binding and accept that any future change requests will be charged as additional work and managed through revision of this document. All custom orders cannot be cancelled and merchandise cannot be returned. If an order is cancelled by the purchaser after the order has been released to production, EZ STAK reserves the right to charge an order cancellation fee of 40% in addition to the normal restocking fee of 20%.

Signature: _____ Date: _____



PH:(613)530.3419
FAX:(613)546.5489

DESCRIPTION

ORGANIZER DRAWER SERIES

PART NO.

CTU-26.5-44-39.5-501

	NAME	DATE
DRAWN	VK	10/12/2022
CHECKED	-	-

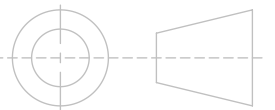
NOT RELEASED

PROPERTIES

MATERIAL: N/A
THICKNESS: N/A
FINISH: NONE
WEIGHT: 290.822 LB

TOLERANCES UNLESS OTHERWISE SPECIFIED:

- X.X ± 0.025
- X.XX ± 0.010
- X.XXX ± 0.005
- X/X ± 1/32
- X° ± 1°



DO NOT SCALE DRAWING

PROPRIETARY AND CONFIDENTIAL

THE INFORMATION CONTAINED IN THIS DRAWING IS THE SOLE PROPERTY OF EZSTAK LLC. ANY REPRODUCTION IN PART OR AS A WHOLE WITHOUT THE WRITTEN PERMISSION OF EZSTAK LLC IS PROHIBITED.

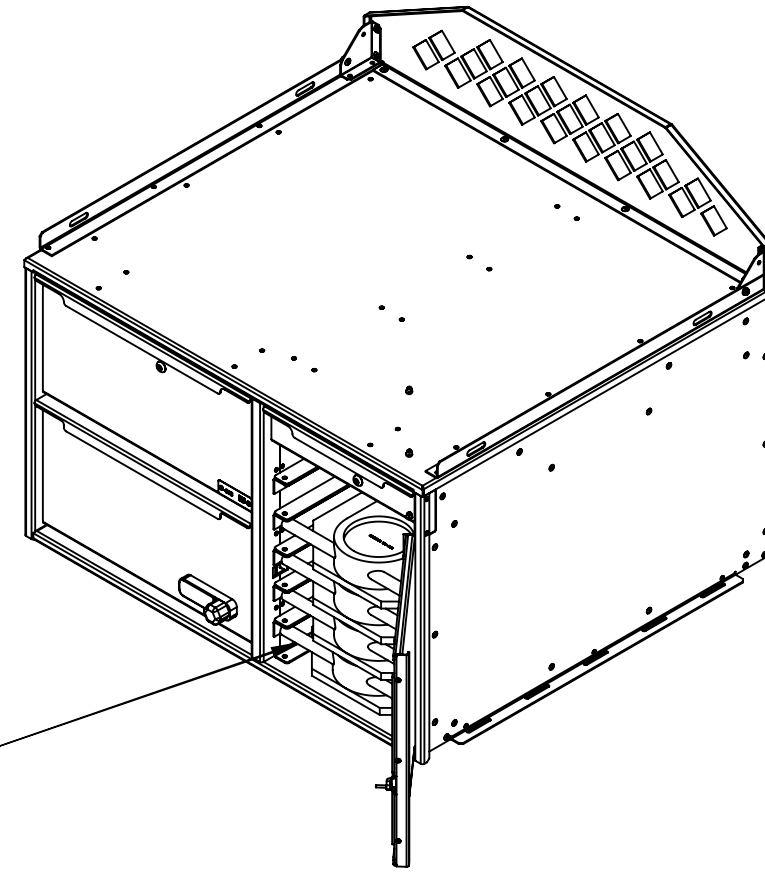
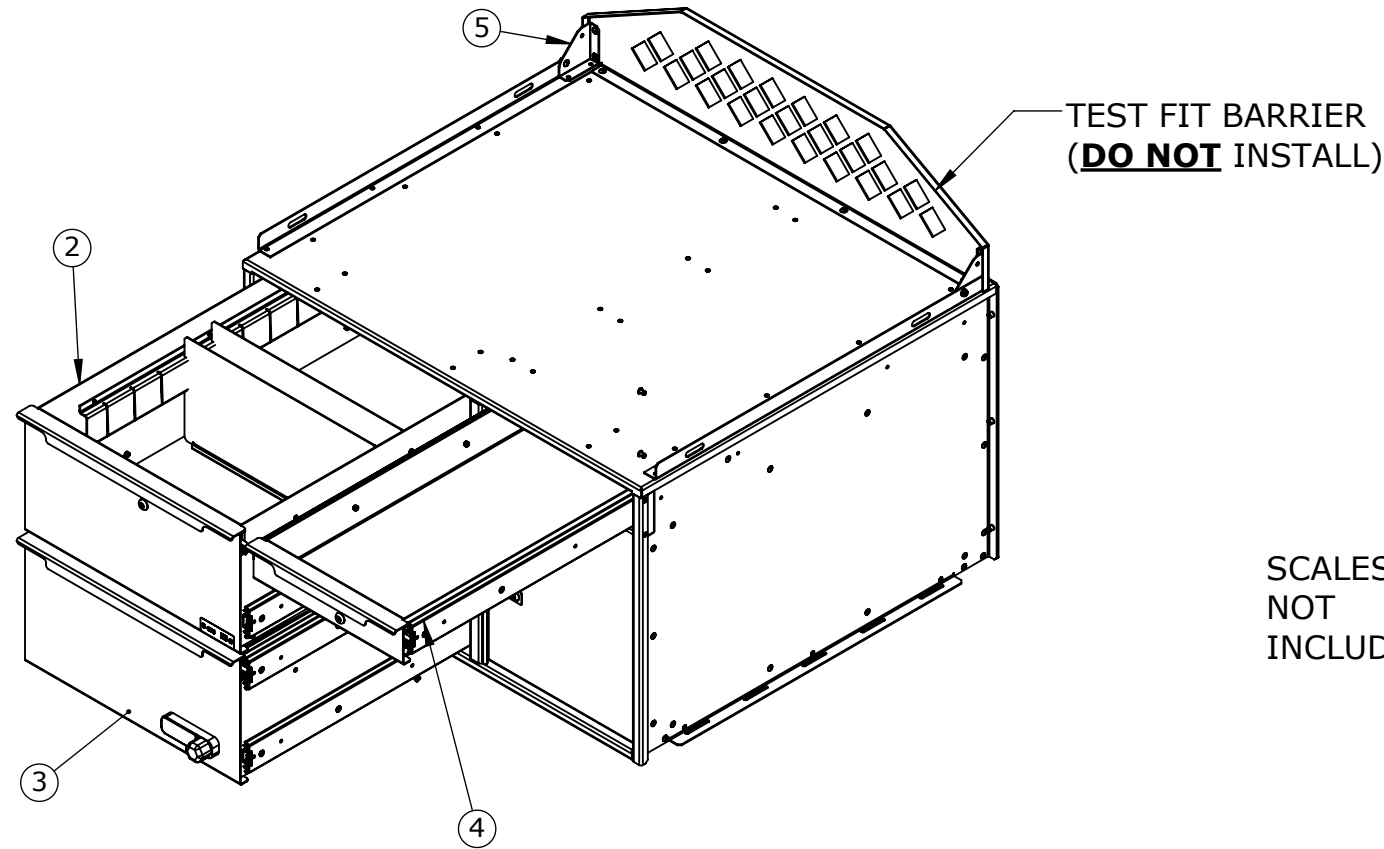
SIZE **B** REV **C1**

SCALE: 1:12 SHEET 1 OF 2

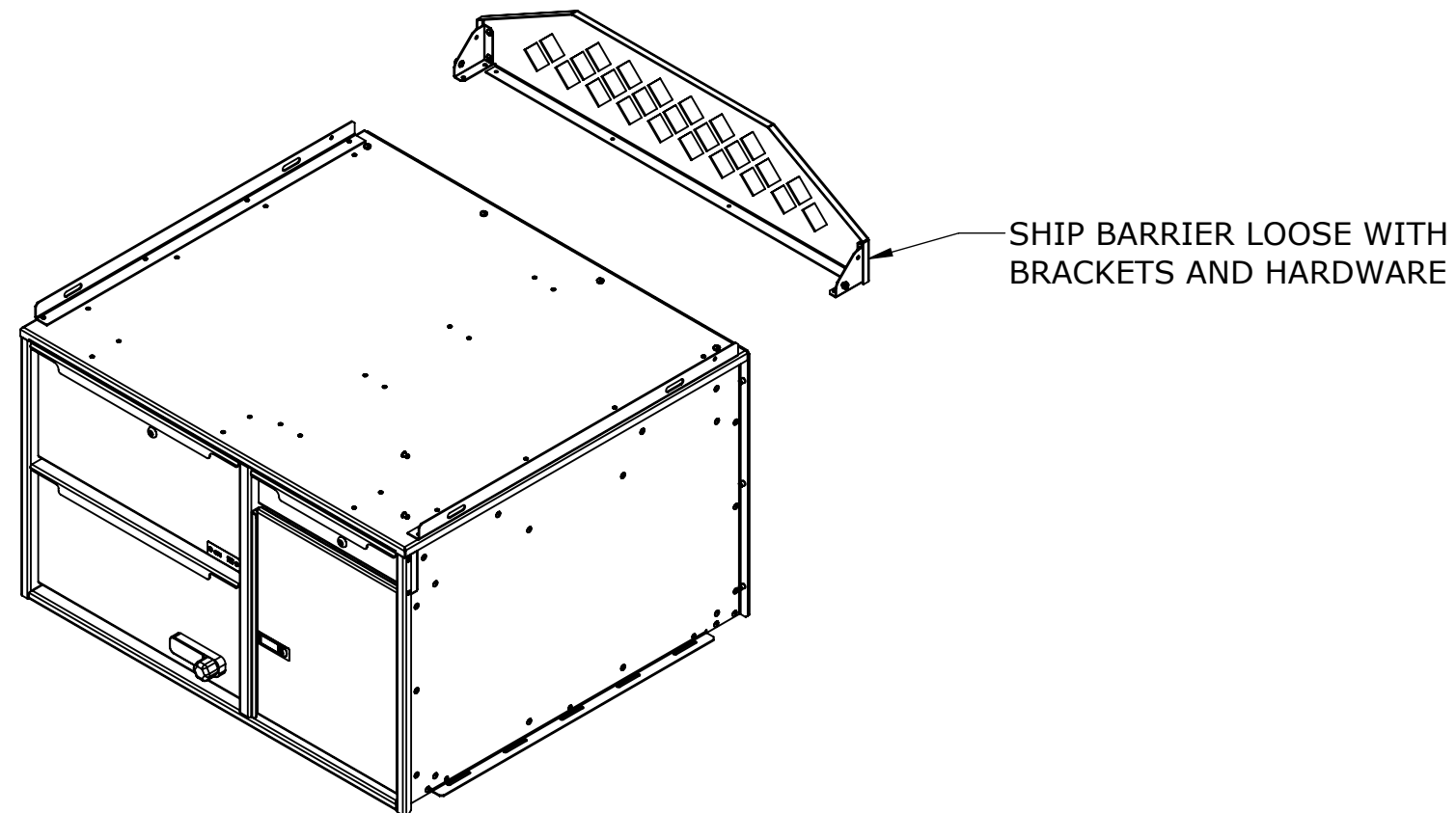
UNIT: IPS

Deburr All Edges

ASSEMBLY INSTRUCTION



SHIPPING INSTRUCTIONS



PH:(613)530.3419
FAX:(613)546.5489

DESCRIPTION
ORGANIZER DRAWER SERIES

PART NO.
CTU-26.5-44-39.5-501

	NAME	DATE
DRAWN	VK	10/12/2022
CHECKED	-	-

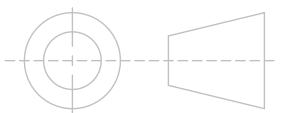
NOT RELEASED

PROPERTIES

MATERIAL:	N/A
THICKNESS:	N/A
FINISH:	NONE
WEIGHT:	290.822 LB

TOLERANCES UNLESS OTHERWISE SPECIFIED:

- X.X ± 0.025
- X.XX ± 0.010
- X.XXX ± 0.005
- X/X ± 1/32
- X° ± 1°



DO NOT SCALE DRAWING

PROPRIETARY AND CONFIDENTIAL

THE INFORMATION CONTAINED IN THIS DRAWING IS THE SOLE PROPERTY OF EZSTAK LLC. ANY REPRODUCTION IN PART OR AS A WHOLE WITHOUT THE WRITTEN PERMISSION OF EZSTAK LLC IS PROHIBITED.

SIZE REV
B C1

SCALE: 1:20 SHEET 2 OF 2

UNIT: IPS

Deburr All Edges