

DESCRIPTION

**2021 TAHOE CUSTOM
CVE UNIT**

PART NO.

8605-A00

	NAME	DATE
DRAWN	RS	12/31/2021
CHECKED	KO	01/05/2022

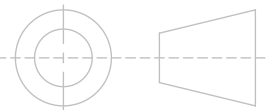
RELEASED TO PRODUCTION

PROPERTIES

MATERIAL: ALUMINUM
THICKNESS: 0.1
FINISH
WEIGHT: 280.60 LB

TOLERANCES UNLESS OTHERWISE SPECIFIED:

X.X ± 0.025
X.XX ± 0.010
X.XXX ± 0.005
X/X ± 1/16
X° ± 1°



DO NOT SCALE DRAWING

PROPRIETARY AND CONFIDENTIAL

THE INFORMATION CONTAINED IN THIS DRAWING IS THE SOLE PROPERTY OF EZSTAK LLC. ANY REPRODUCTION IN PART OR AS A WHOLE WITHOUT THE WRITTEN PERMISSION OF EZSTAK LLC IS PROHIBITED.

SIZE **B** REV **02**

SCALE: 1:20 SHEET 1 OF 3

UNIT: IPS

Deburr All Edges

NOTES:

- ALUMINUM CONSTRUCTION
- OPTION "E" POWDERCOAT - DRAWER FACES ONLY
- 2021+ TAHOE MOUNTING CUSTOM BASE
- RUBBER MATTING ON TOP
- FULL WIDTH EQUIPMENT PANEL ON BACK

DS CABINET:

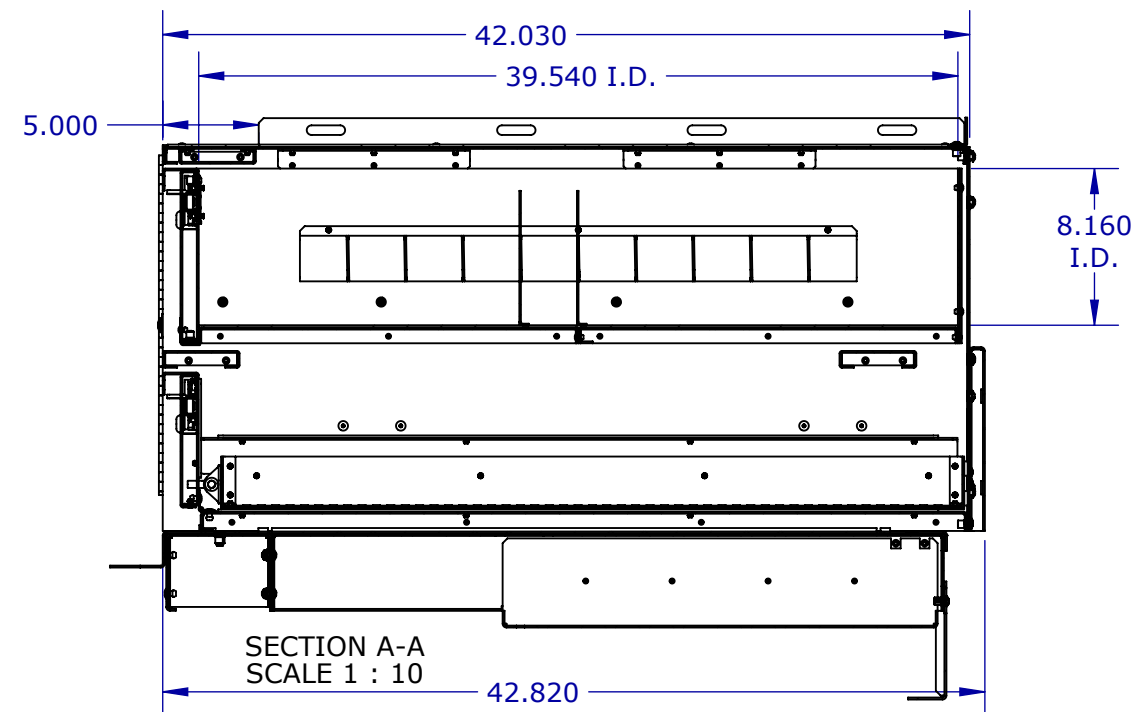
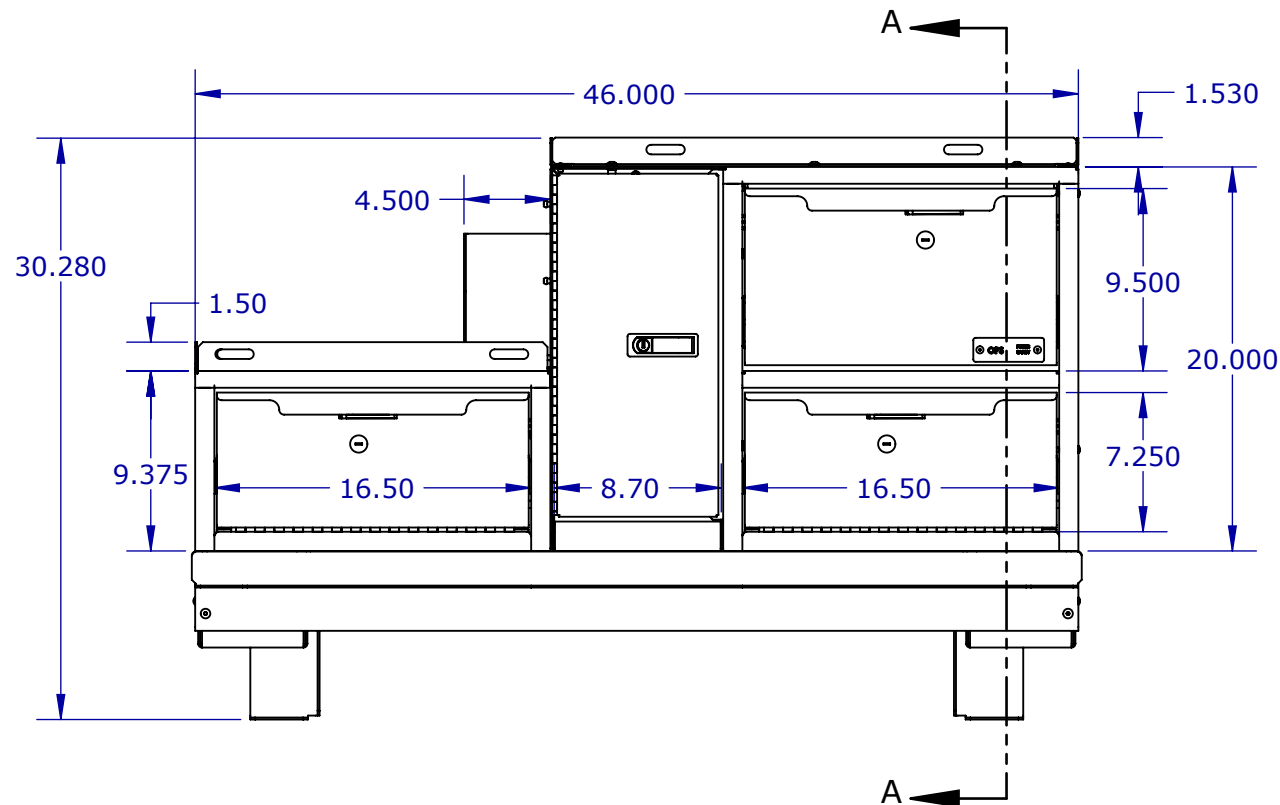
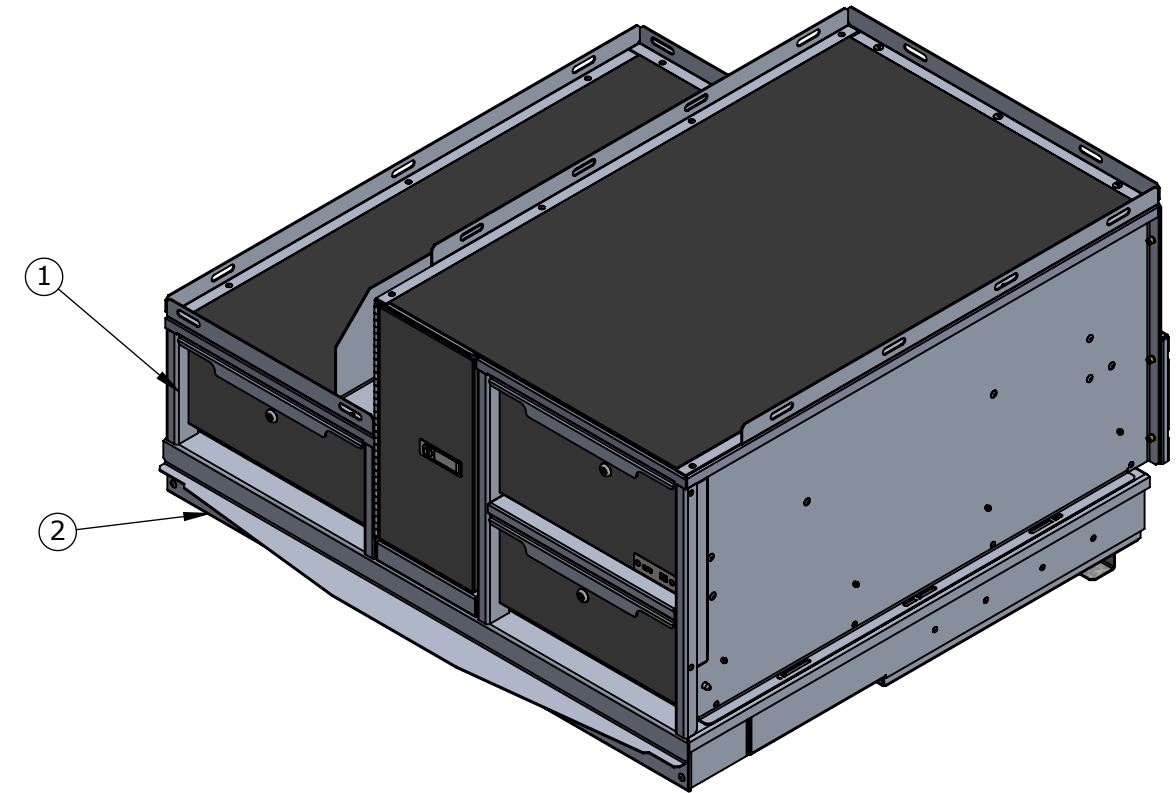
- STORAGE FOR 2X SCALES (HAENNI MODEL-101) OR 1X SLIDEOUT TRAY
- FLIP DOWN DOOR W/ CH501 KEY LOCK
- 1.5" CARGO LIP AROUND EDGES

GUN CABINET:

- LOCKING TRIGGER LATCH W/ CH501 KEY LOCK
- 2X COMPARTMENT- SHOT GUN AND RIFLE
- KAIZEN FOAM FOR BOTH COMPARTMENT

PS CABINET:

- 1.5" CARGO LIP AROUND EDGES
- 9.5"H DRAWER W/ CH501 KEY LOCK
- 500LB CAPACITY SLIDES (NON-DETACHABLE)
- 2X SIDE-TO-SIDE DIVIDERS
- RUBBER MATTING
- FLIP-DOWN DOOR W/ CH501 LOCK AT BOTTOM
- STORAGE FOR 2X SCALES (HAENNI MODEL-101) OR 1X SLIDEOUT TRAY



ITEM NO.	PART NUMBER	DESCRIPTION	QTY.
1	CTU-20-46-42-500	CTU ORGANIZER SERIES	1
2	CTU-1001	INSTALLATION BASE, CHEVY TAHOE, 2021-PRESENT, CTU-1001	1

ASSUMPTION: NO THIRD-PARTY BARRIER PARTITION USED AT BACK OF UNIT

DISCLAIMER: By signing and dating this document, I agree that all specifications, notes and dimensions are clear, correct and in accordance with intended product use, content fit and function and product envelope fit and function. I understand this agreement to be binding and accept that any future change requests will be charged as additional work and managed through revision of this document. All custom orders cannot be cancelled and merchandise cannot be returned. If an order is cancelled by the purchaser after the order has been released to production, EZ STAK reserves the right to charge an order cancellation fee of 40% in addition to the normal restocking fee of 20%.

Signature: _____ Date: _____

DESCRIPTION
**2021 TAHOE CUSTOM
CVE UNIT**

PART NO.
8605-A00

	NAME	DATE
DRAWN	RS	12/31/2021
CHECKED	KO	01/05/2022

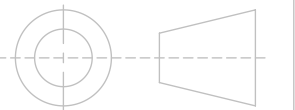
RELEASED TO PRODUCTION

PROPERTIES

MATERIAL: ALUMINUM
THICKNESS: 0.1
FINISH
WEIGHT: 280.60 LB

TOLERANCES UNLESS OTHERWISE SPECIFIED:

- X.X ± 0.025
- X.XX ± 0.010
- X.XXX ± 0.005
- X/X ± 1/16
- X° ± 1°



DO NOT SCALE DRAWING

PROPRIETARY AND CONFIDENTIAL

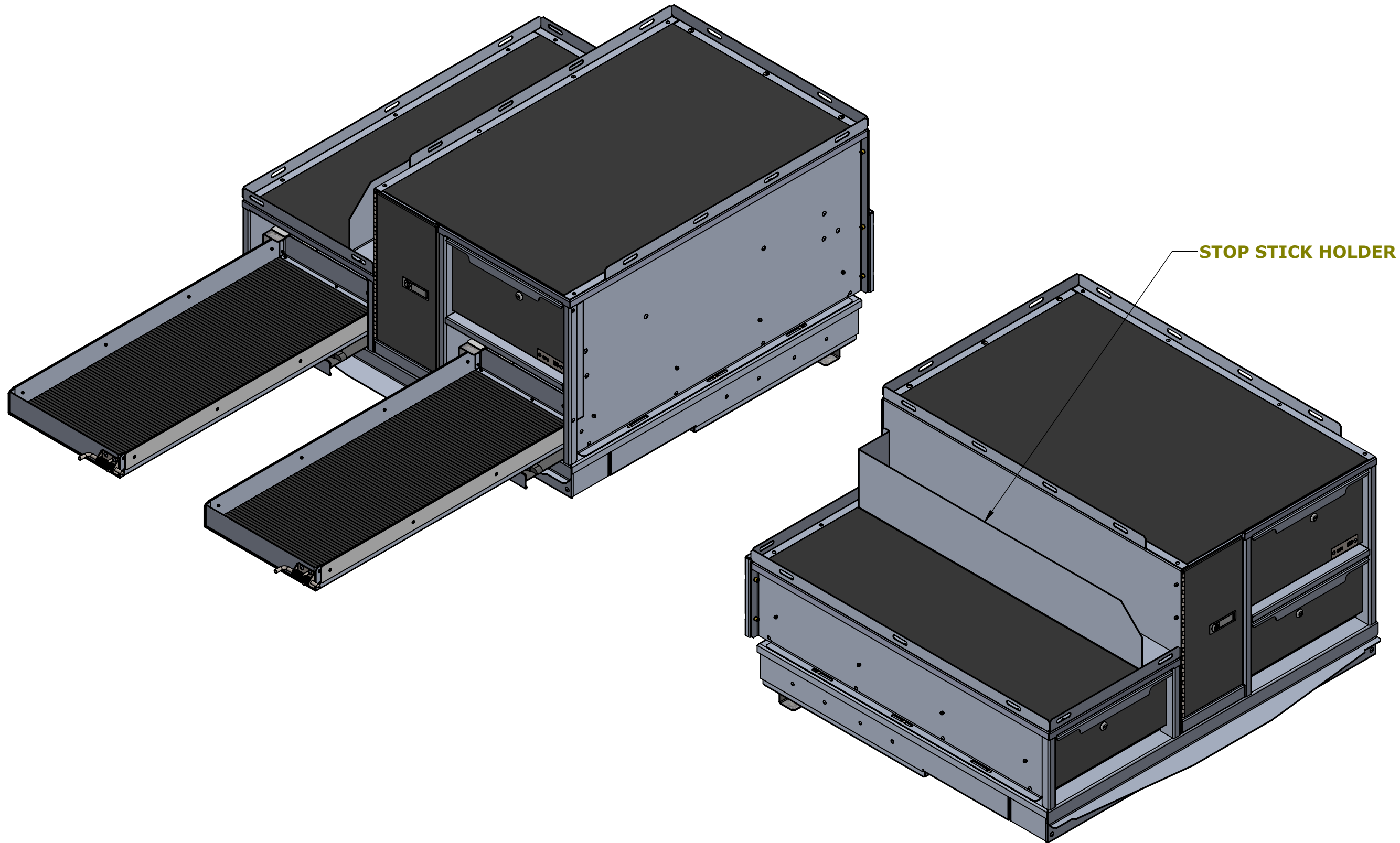
THE INFORMATION CONTAINED IN THIS DRAWING IS THE SOLE PROPERTY OF EZSTAK LLC. ANY REPRODUCTION IN PART OR AS A WHOLE WITHOUT THE WRITTEN PERMISSION OF EZSTAK LLC IS PROHIBITED.

SIZE **B** REV **02**

SCALE: 1:20 SHEET 2 OF 3

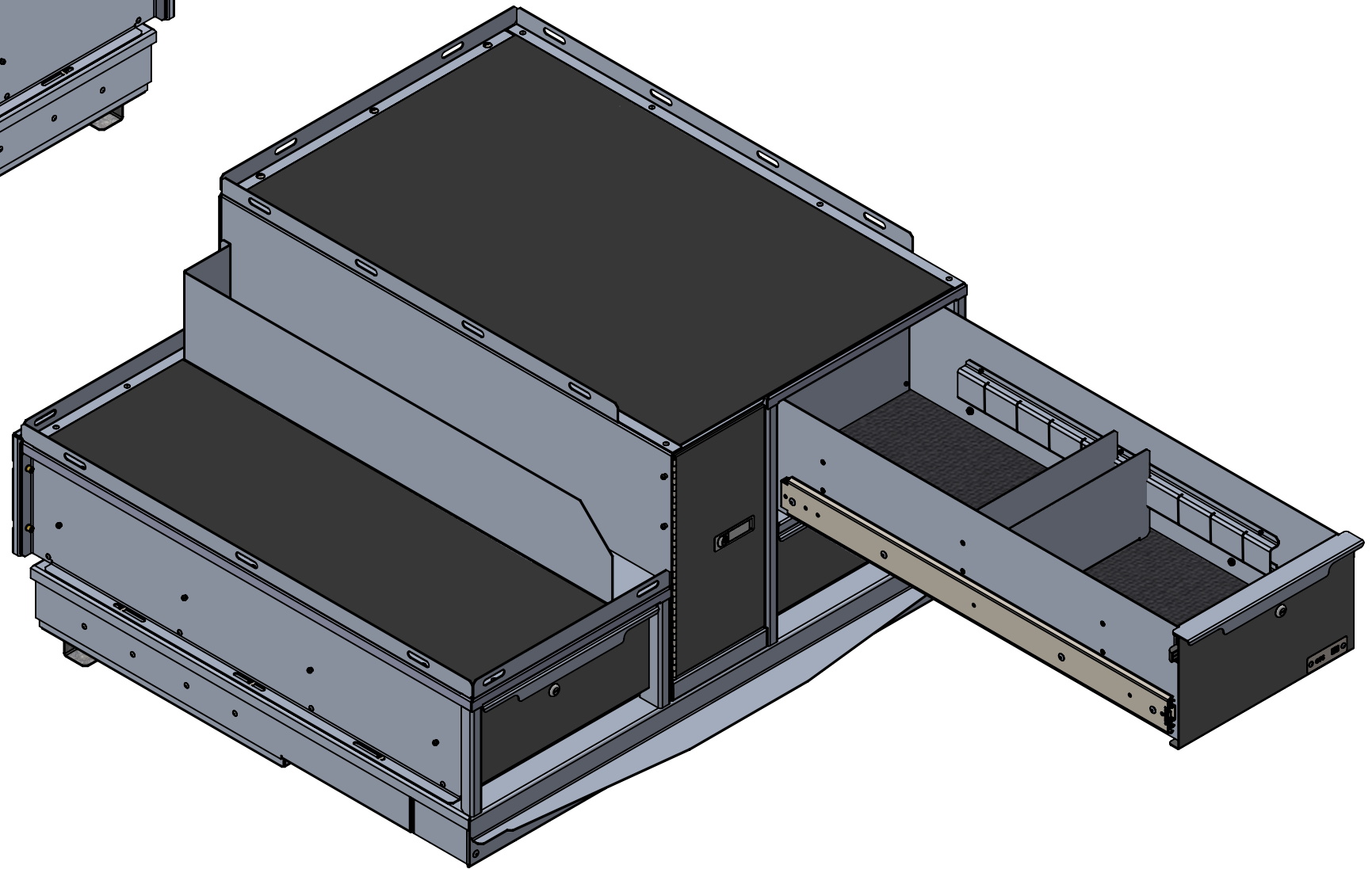
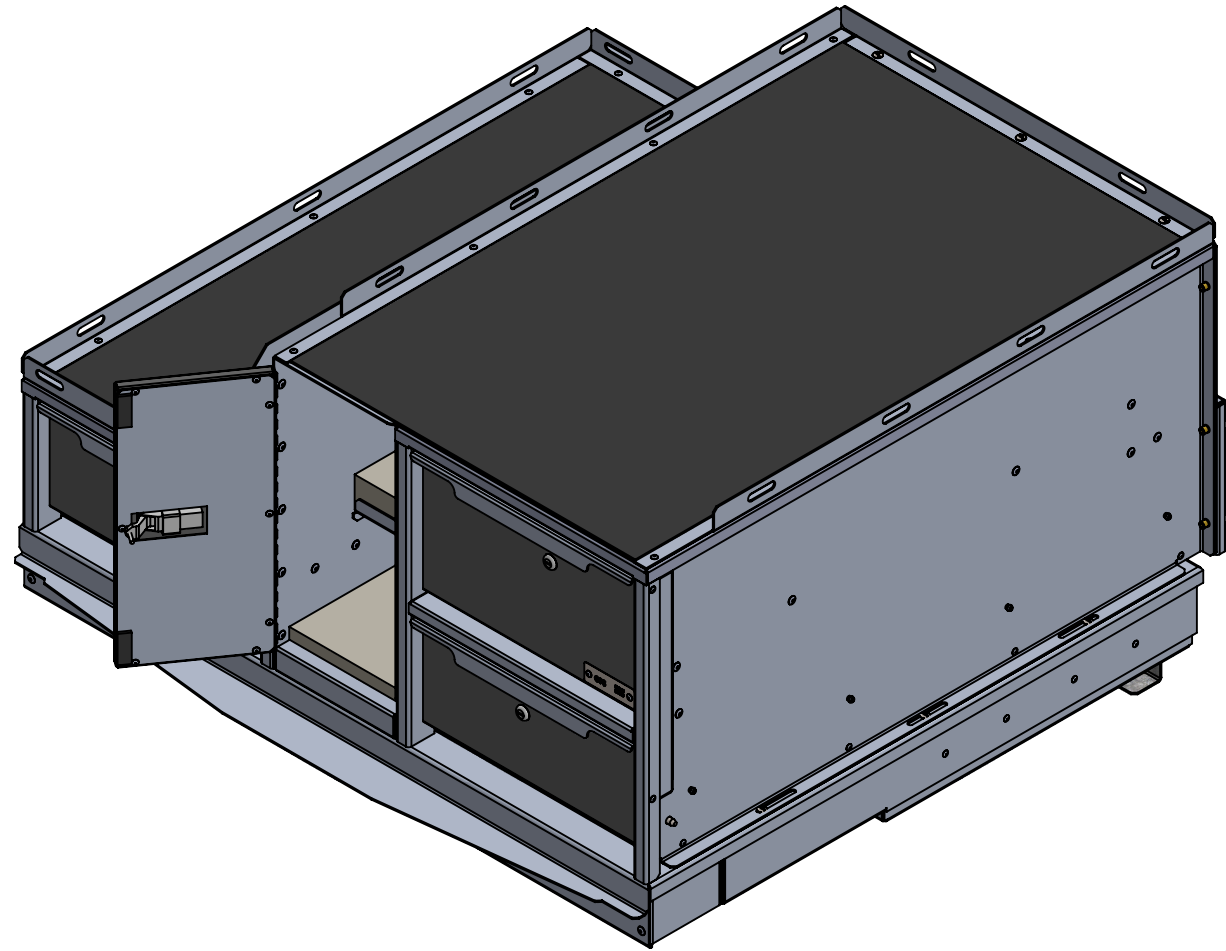
UNIT: IPS

Deburr All Edges



DISCLAIMER: By signing and dating this document, I agree that all specifications, notes and dimensions are clear, correct and in accordance with intended product use, content fit and function and product envelope fit and function. I understand this agreement to be binding and accept that any future change requests will be charged as additional work and managed through revision of this document. All custom orders cannot be cancelled and merchandise cannot be returned. If an order is cancelled by the purchaser after the order has been released to production, EZ STAK reserves the right to charge an order cancellation fee of 40% in addition to the normal restocking fee of 20%.

Signature: _____ Date: _____



PH:(613)530.3419
 FAX:(613)546.5489

DESCRIPTION

**2021 TAHOE CUSTOM
 CVE UNIT**

PART NO.

8605-A00

	NAME	DATE
DRAWN	RS	12/31/2021
CHECKED	KO	01/05/2022

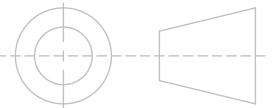
RELEASED TO PRODUCTION

PROPERTIES

MATERIAL: ALUMINUM
 THICKNESS: 0.1
 FINISH
 WEIGHT: 281.52 LB

TOLERANCES UNLESS OTHERWISE SPECIFIED:

- X.X ± 0.025
- X.XX ± 0.010
- X.XXX ± 0.005
- X/X ± 1/16
- X° ± 1°



DO NOT SCALE DRAWING

PROPRIETARY AND CONFIDENTIAL

THE INFORMATION CONTAINED IN THIS DRAWING IS THE SOLE PROPERTY OF EZSTAK LLC. ANY REPRODUCTION IN PART OR AS A WHOLE WITHOUT THE WRITTEN PERMISSION OF EZSTAK LLC IS PROHIBITED.

SIZE **B** REV **02**

SCALE: 1:20 SHEET 3 OF 3

UNIT: IPS

Deburr All Edges

DISCLAIMER: By signing and dating this document, I agree that all specifications, notes and dimensions are clear, correct and in accordance with intended product use, content fit and function and product envelope fit and function. I understand this agreement to be binding and accept that any future change requests will be charged as additional work and managed through revision of this document. All custom orders cannot be cancelled and merchandise cannot be returned. If an order is cancelled by the purchaser after the order has been released to production, EZ STAK reserves the right to charge an order cancellation fee of 40% in addition to the normal restocking fee of 20%.

Signature: _____ Date: _____