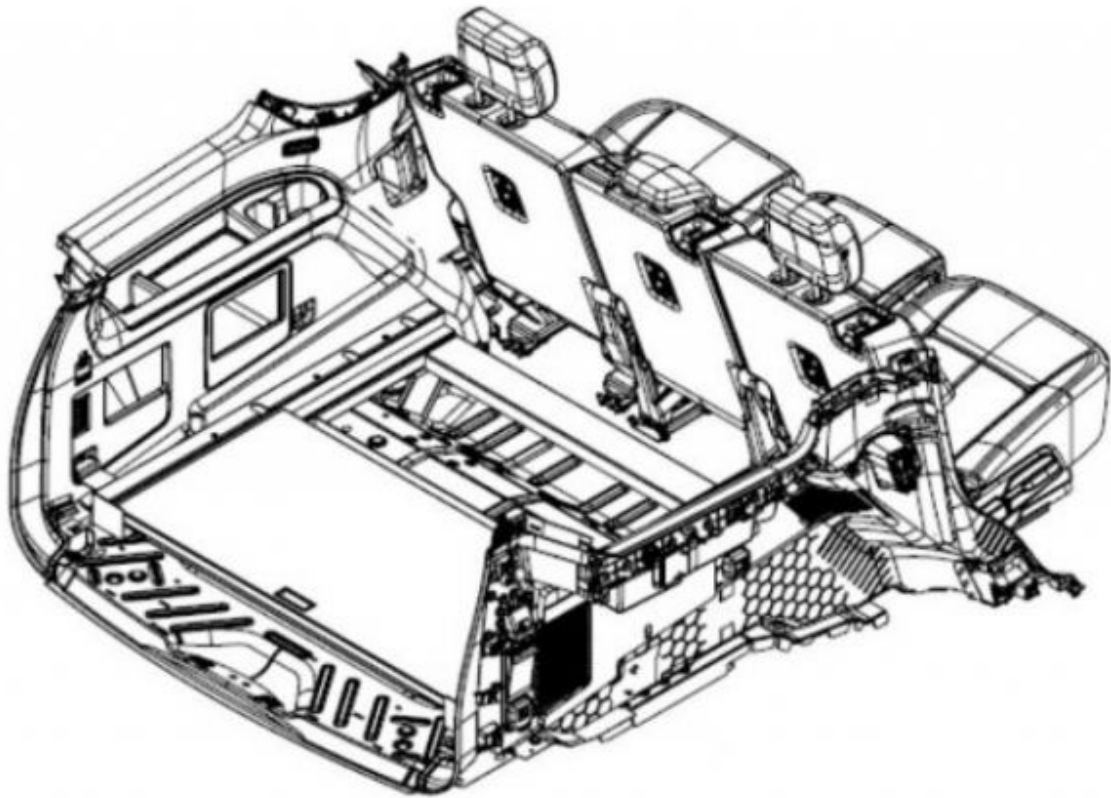
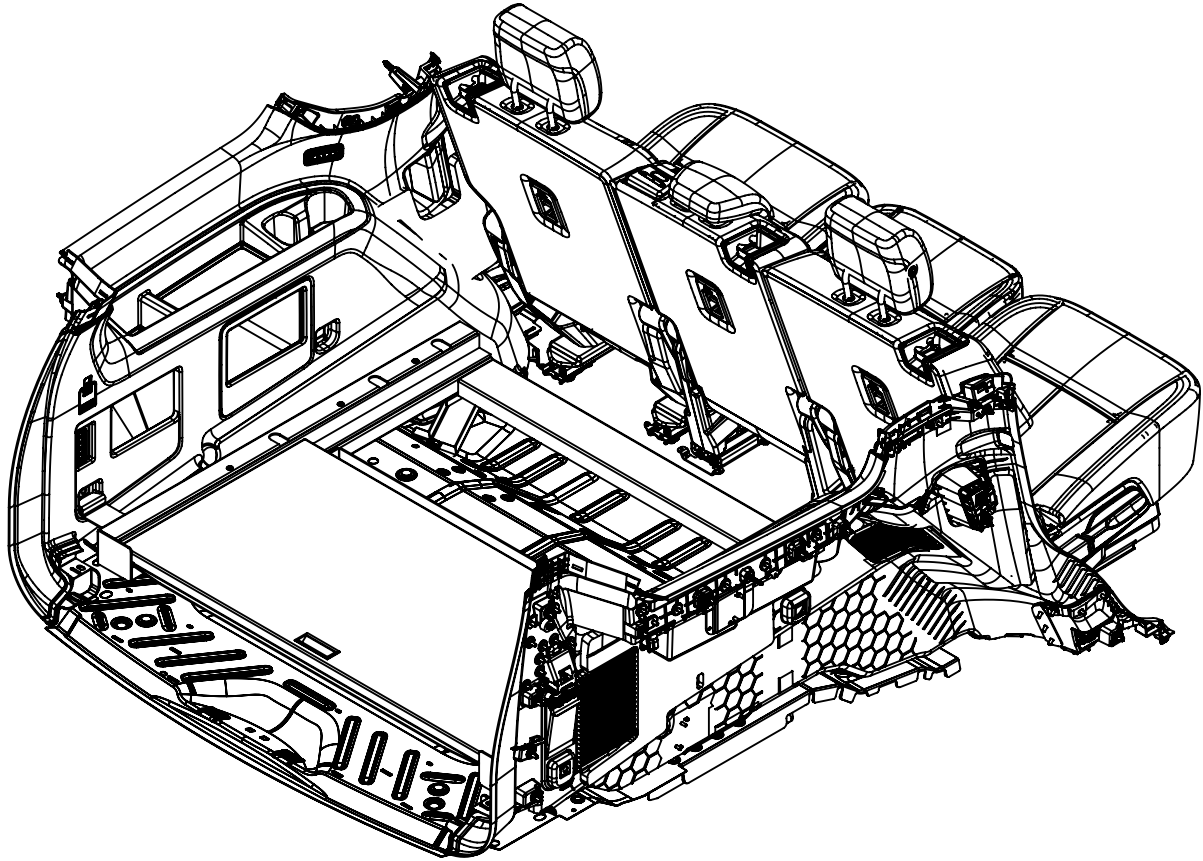




# INSTALLATION INSTRUCTIONS

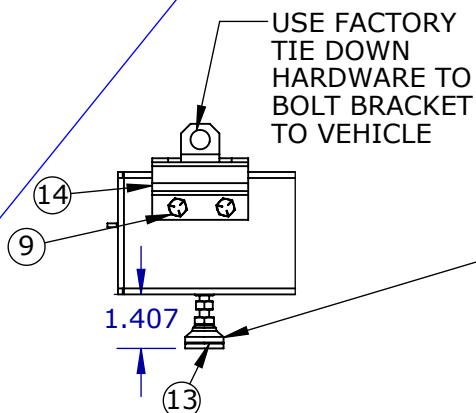
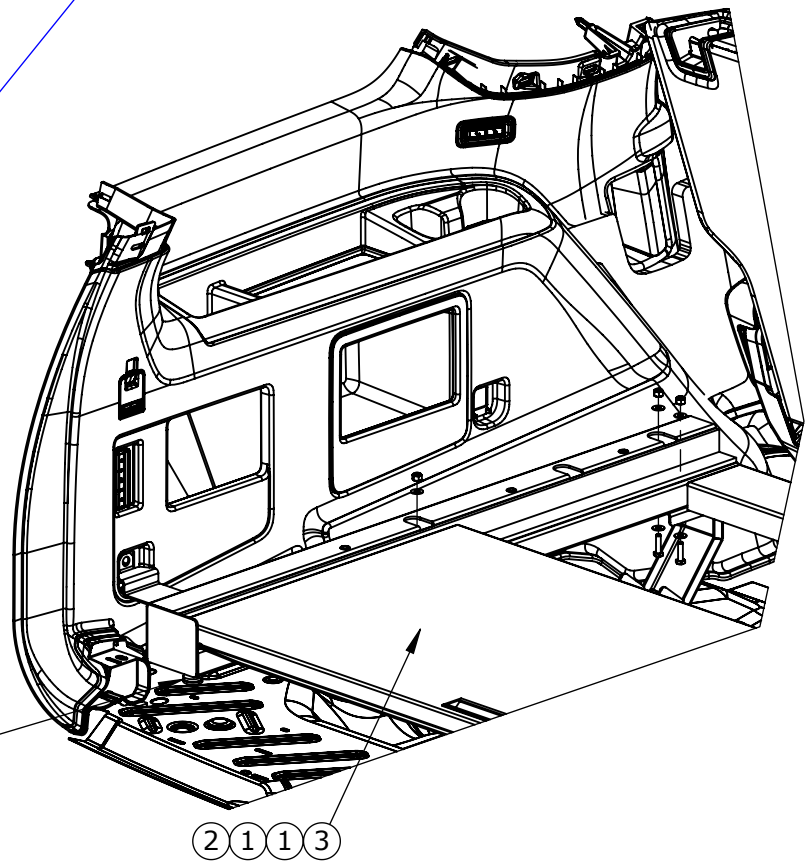
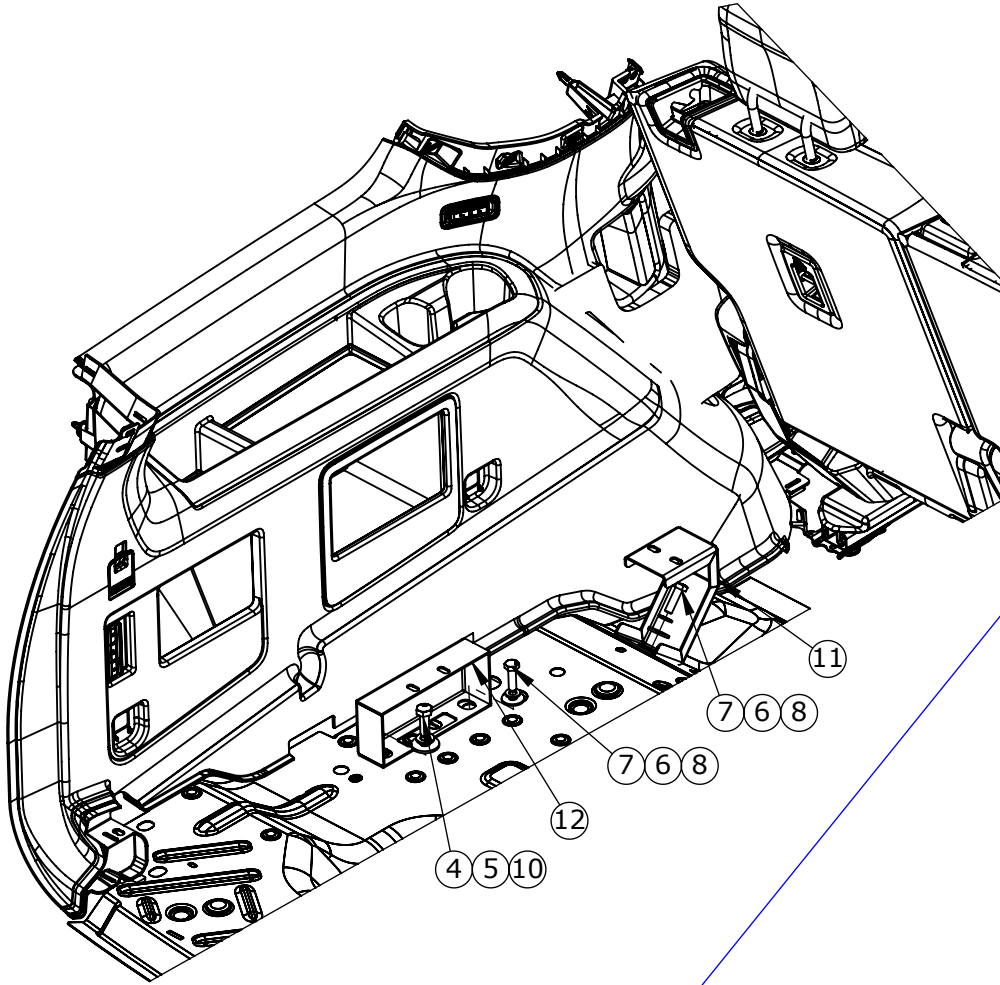
FEU-0000





ITEM NO.	PART NUMBER	DESCRIPTION	QTY.
1	1051224	WASHER SAE [0.25]	19
2	1051225	Nut Nylon Lock [0.25]	6
3	1051223	BOLT HEX HEAD [0.25 X 20 X 1.0L] G5	6
4	1229427	BOLT - HH M12-1.75 X 35mm - CLASS8.8	2
5	1229431	WASHER - M12	2
6	1229432	WASHER - M10	4
7	1229428	BOLT - HH M10-1.5 X 35mm - CLASS8.8	4
8	1229433	WASHER - M10 FENDER	4
9	1134962	HEX BOLT - 1/4"-20 x 1" LG GR.5	4
10	1229434	WASHER - M12 FENDER	2
11	1229186	2018 EXPEDITION REAR LEG	2
12	1229382	2018 MOUNT BOX	2
13	1229426	Swivel Leveling Mount, Zinc-Plated Steel, Cushion & 1-1/4" Long 1/4"-20 Threaded Stud	2
14	1229384	FRONT HANGER BRACET	2
15	1229364	DS Base Leg Upper	1
16	1051226	RIVNUT - 1/4-20	20
17	1229367	PS Base Leg Upper	1
18	1050938	CROSS BRACE	2
19	1051223	BOLT HEX HEAD [0.25 X 20 X 1.0L] G5	8
20	1056206	Nylon Angle Impact-Resistant	2
21	1056207	Sliding door	1
22	1056217	FLUSH PULL HANDLE (MC:1098A940)	1

STEP 1 - INSTALL BRACKETS INTO VEHICLE. DO NOT TIGHTEN ALL THE WAY



STEP 2 - INSTALL THE BASE ONTO THE BRACKETS, SQUARE UP AND TIGHTEN ALL THE BRACKETS