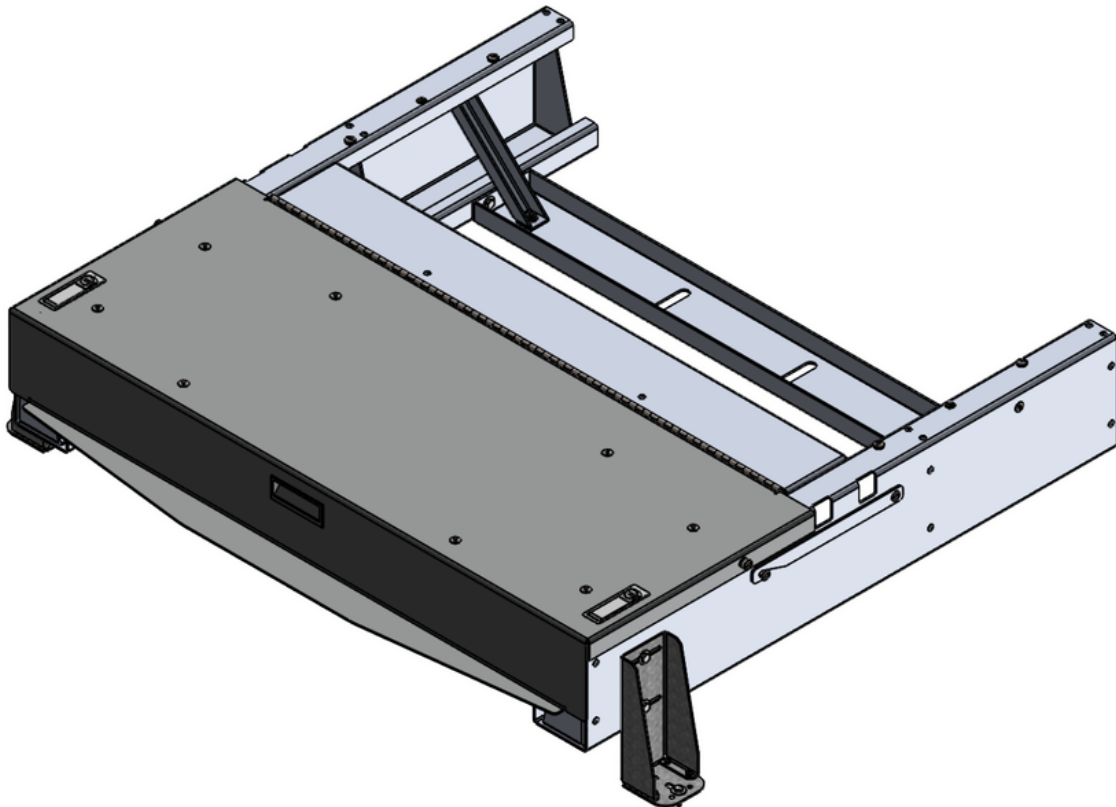




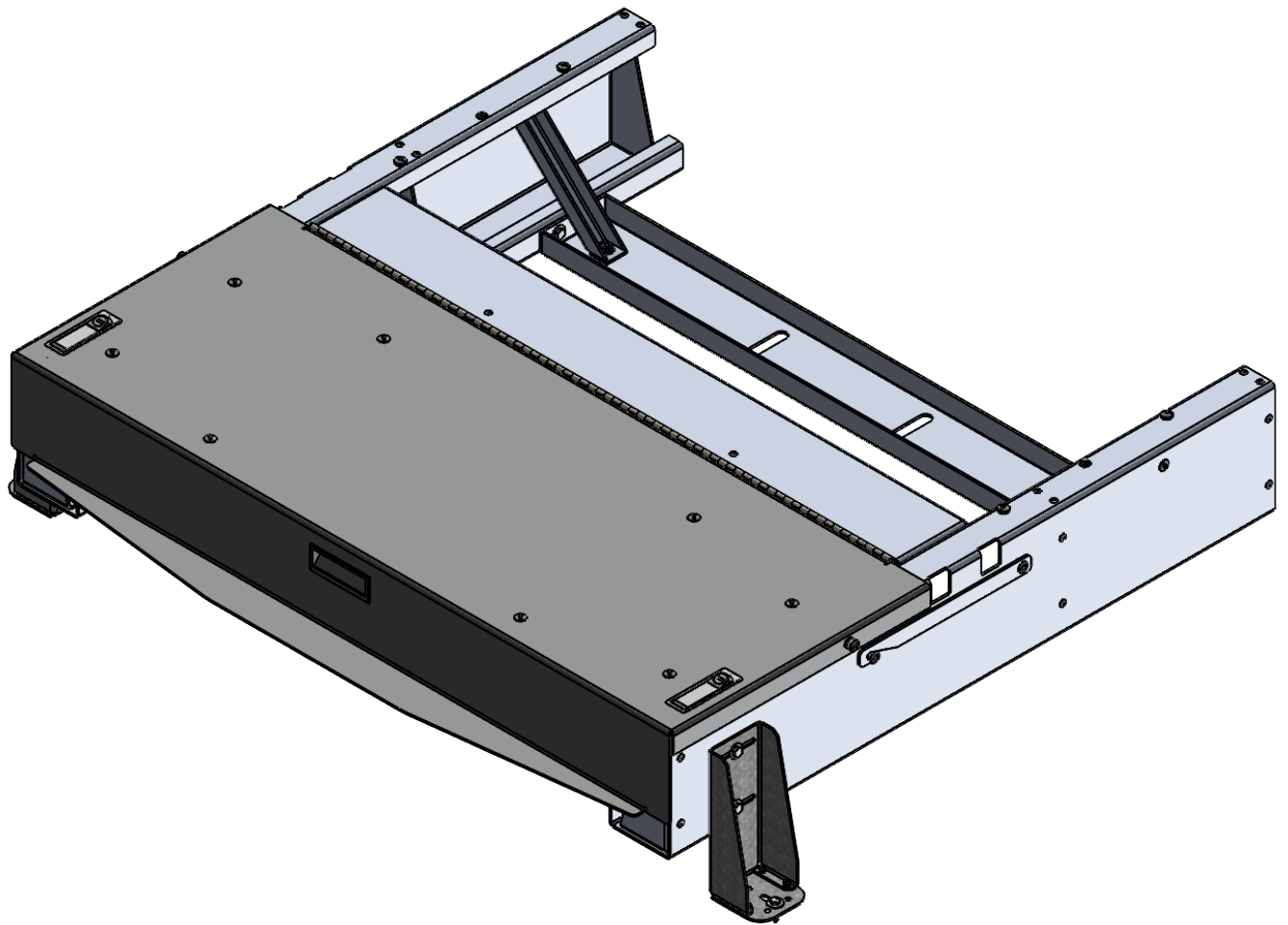
INSTALLATION INSTRUCTIONS

FIU-2020-100

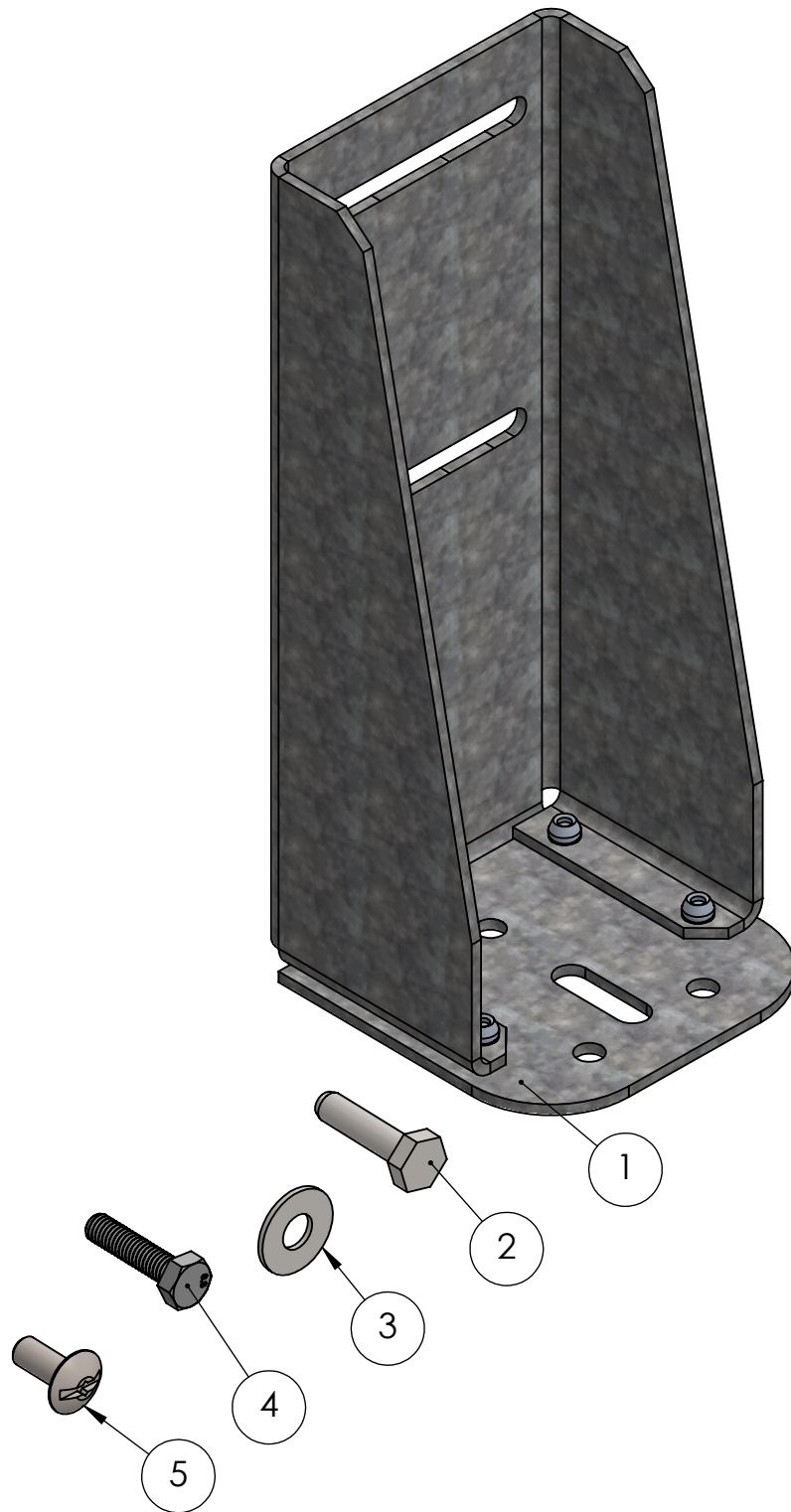


FIU-2020-100 INSTALL INSTRUCTIONS

For 2020 Ford Police Interceptor Utility (2020 - CURRENT)



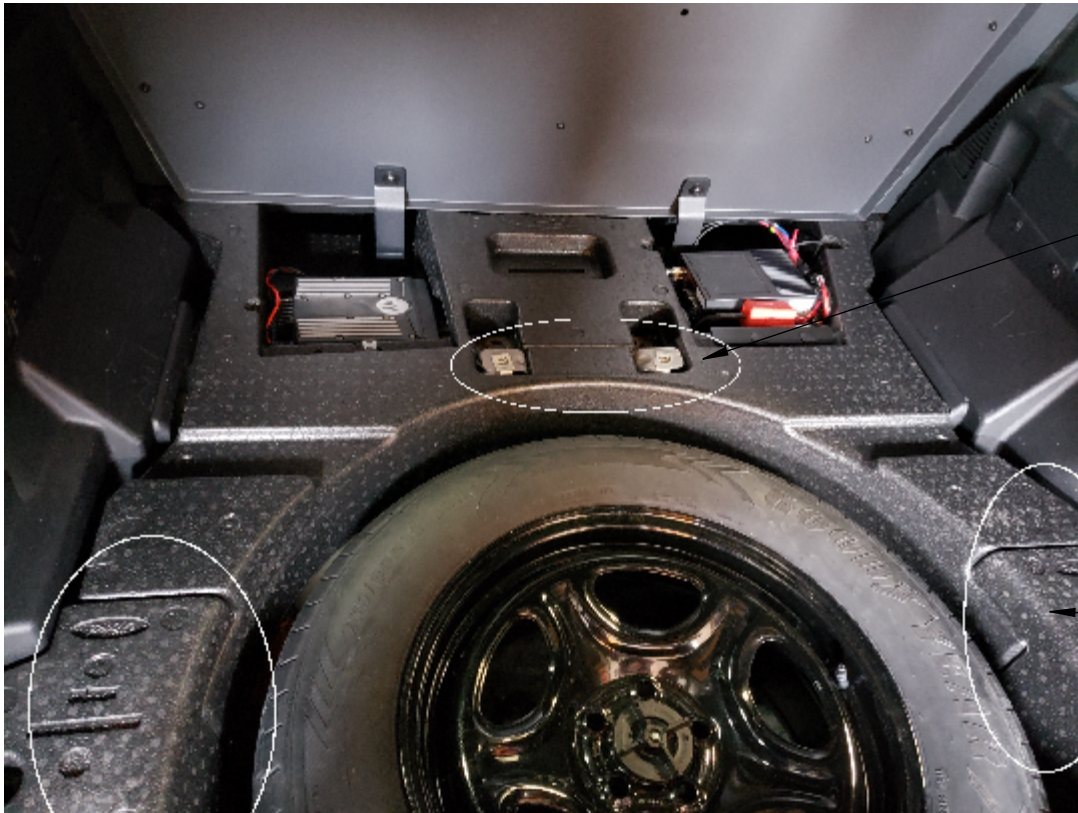
HARDWARE PROVIDED



ITEM NO.	PART NUMBER	DESCRIPTION	QTY.
1	4001292	INSTALL BASE, MOUNTING BRACKET, 2020+ FORD PIU	2
2	1051223	BOLT, HH, 1/4"-20 x 1", ZINC PLATED, GR 5	8
3	1089578	WASHER, FLAT, 1/4, 5/16 ID, 3/4 OD, ZINC PLATED	10
4	1415321	BOLT, HEX HEAD, M6-1.0 X 25MM, 8.8 GRADE	2
5	1084081	SCREW, TRUSS HEAD, 1/4-20, 5/8 LONG, ZINC PLATED, SQUARE DRIVE SLOT	4



STEP 1:
REMOVE BOTH THE SECTIONS OF THE TRUNK FLOOR BY REMOVING THE BOLTS AS SHOWN



MOUNTING POINTS

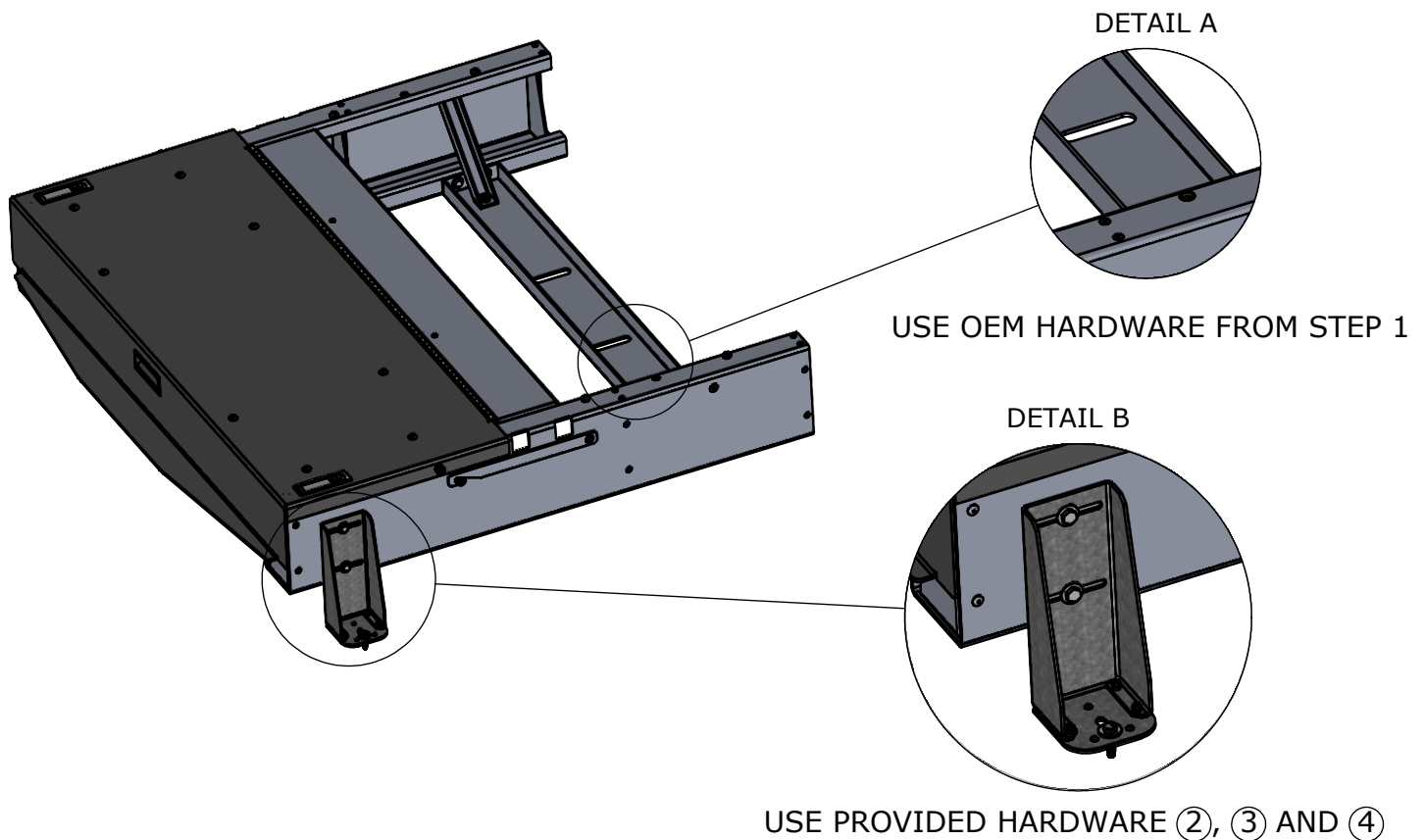
STEP 2:
REMOVE THE FOAM FROM BOTH SIDES OF THE VEHICLE



STEP 3:

FASTEN THE SIDE BRACKETS ① WITH THE BASE USING THE HARDWARE PROVIDED ② AND ③.

ALIGN THE BASE WITH THE HOLES FROM WHICH THE BOLTS WERE REMOVED IN STEP 1 AND WITH THE SIDE HOLES ON BOTH SIDES OF THE VEHICLE AS SHOWN ABOVE.

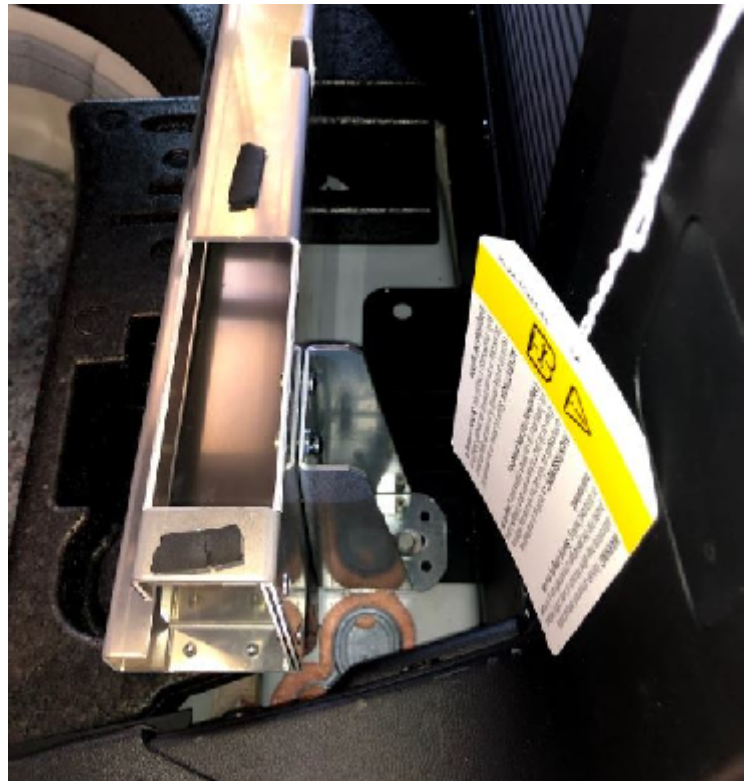


STEP 4:
USE THE OEM BOLTS (DETAIL-A) FOR
FASTENING THE BASE.

(DETAIL-A)



(DETAIL-B)



STEP 5:
THE OEM FOAM REMOVED FROM BOTH
SIDES IN STEP-2 WILL NEED TO BE
NOTCHED AROUND THIS BRACKET.

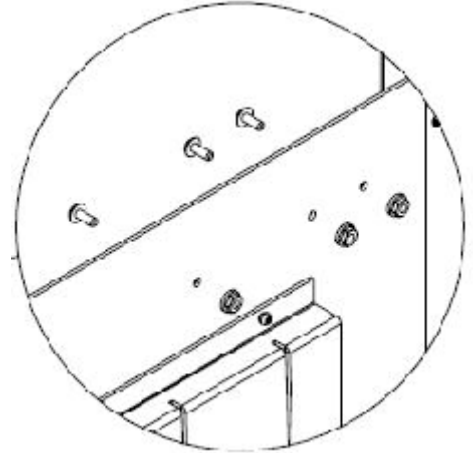
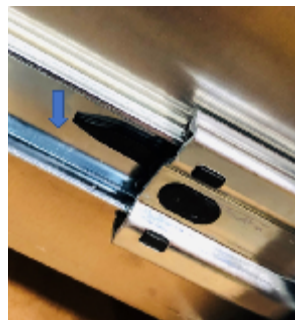
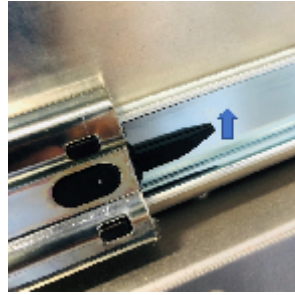
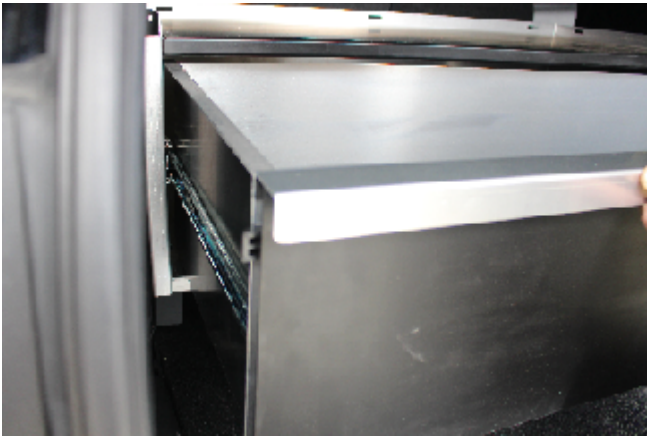
PLACE THE FOAM BACK IN PLACE

ONCE THE BASE IS FIXED, THE CABINET HAS TO BE SECURED TO THE BASE.

STEP 6:

REMOVE THE BOTTOM DRAWER FROM OPS CABINET BY OPENING IT TO FULL EXTENSION AND PUSHING THE PLASTIC TABS IN OPPOSITE DIRECTIONS LOCATED ON SLIDES ON BOTH SIDES OF THE DRAWER WHILE PULLING THE DRAWER STRAIGHT OUT.

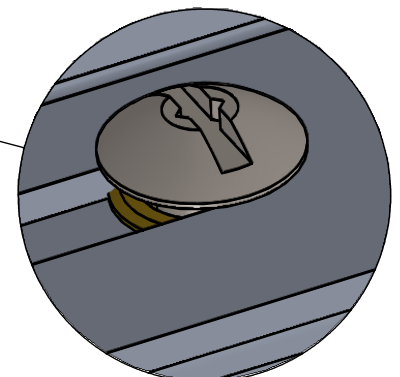
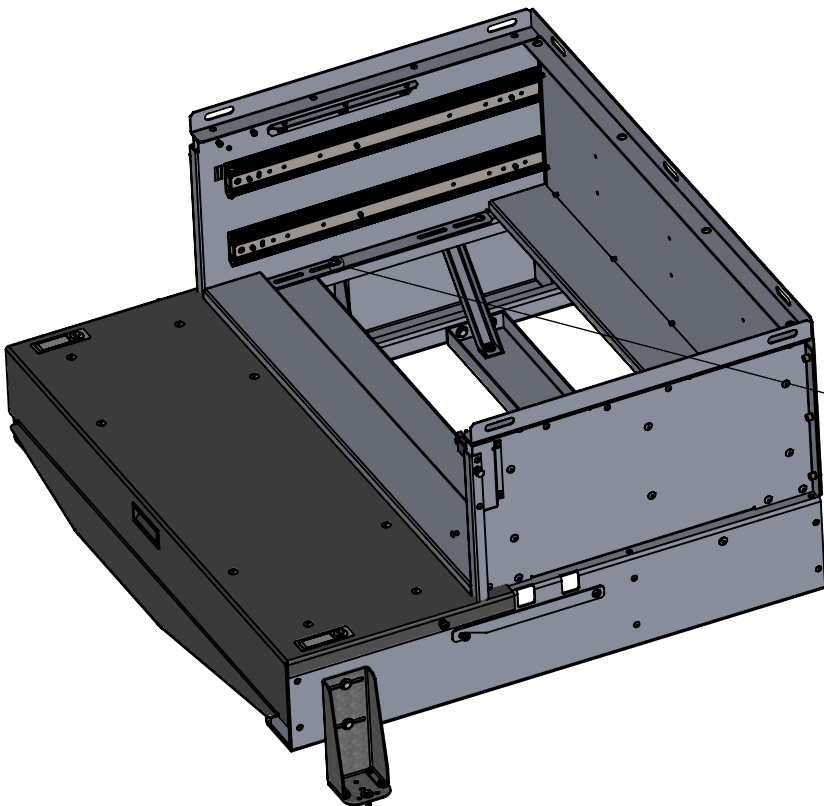
FOR DRAWERS THAT ARE FASTENED BY NUTS, FIRSTLY PULL OUT THE DRAWER THEN SIMPLY UNFASTEN THE NUTS AND REMOVE THE BOLTS ON BOTH SIDES OF THE DRAWER.



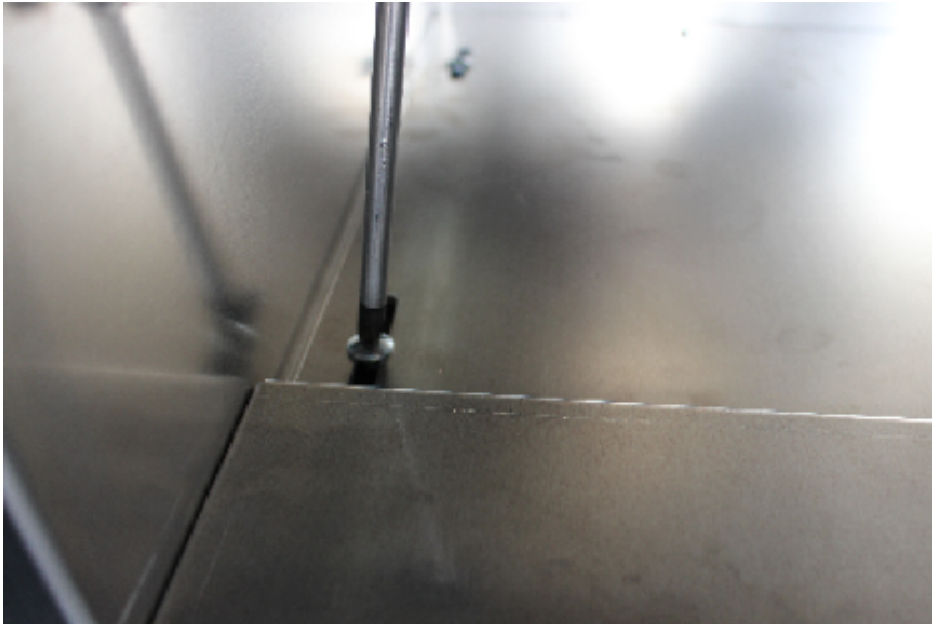
(SLIDES THAT USES NUT AND BOLT FASTENERS)

STEP 7:

PLACE THE CABINET ON THE BASE AND ALIGN THE SLOTS OF THE CABINET WITH THE HOLES OF THE RIV NUT ON THE BASE ON ALL THE FOUR CORNERS.



DETAIL H
SCALE 2 : 1



STEP 8:
FASTEN THE CABINET TO THE BASE USING THE HARDWARE PROVIDED ⑤.

STEP 9:
PLACE THE DRAWER INTO CABINET BY ALIGNING THE SLIDES ON EACH SIDE AND PUSHING THE DRAWER STRAIGHT IN UNTIL FULLY CLOSED. **DO NOT FORCE.**

THE INSTALLATION IS NOW COMPLETE.

NOTE: LOCKING LEVERS ARE PROVIDED ON BOTH SIDES TO HOLD THE FLIP COVER IN PLACE WHILE ACCESSING THE SPARE TIRE.

