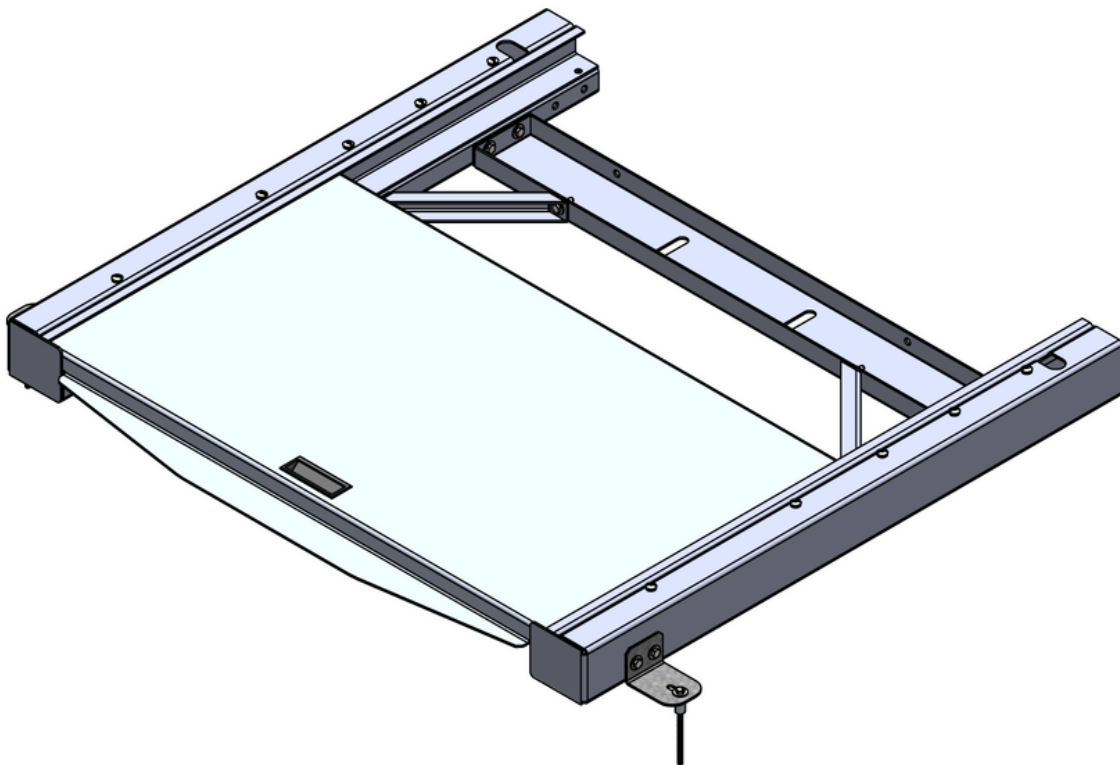




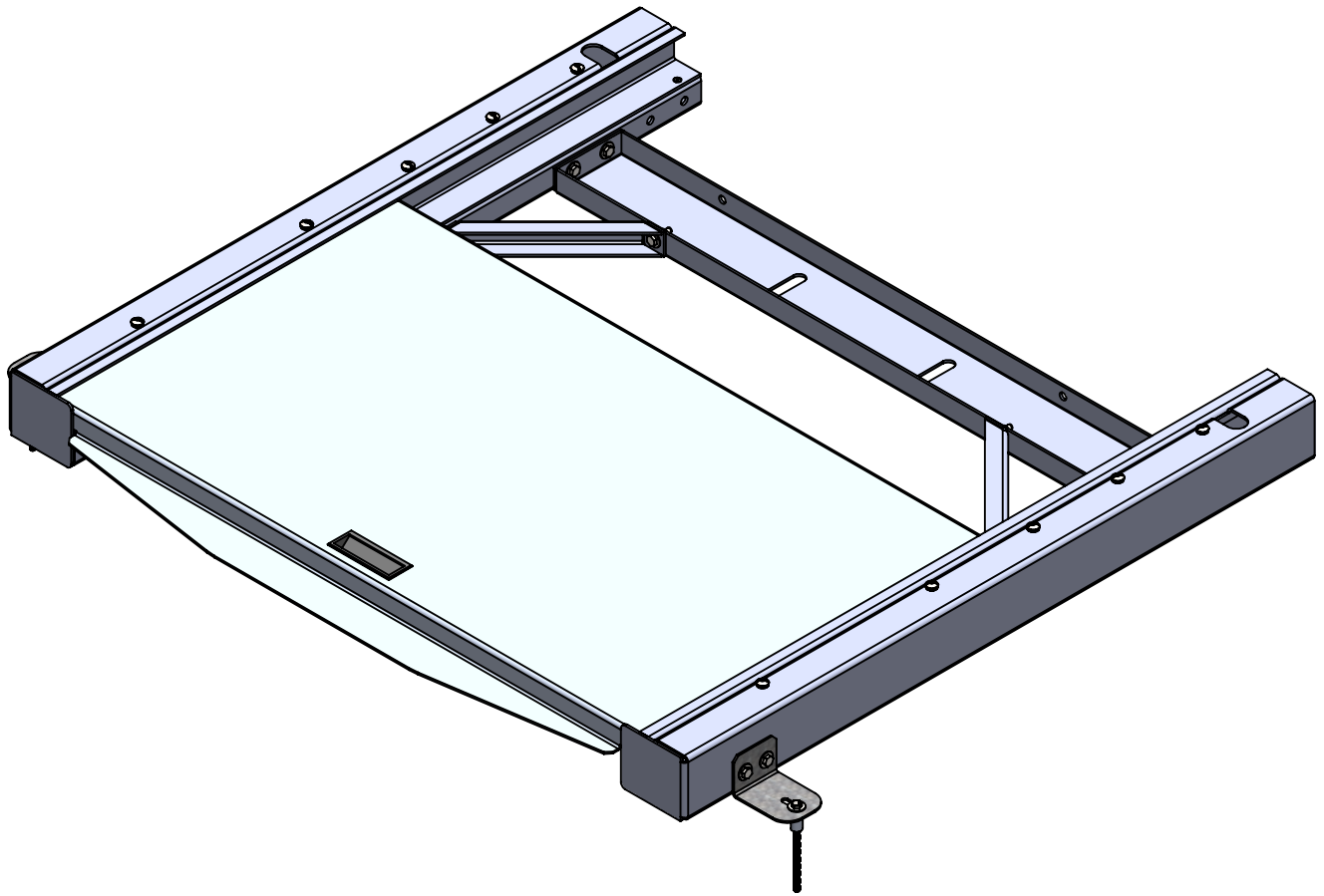
INSTALLATION INSTRUCTIONS

FIU-2020

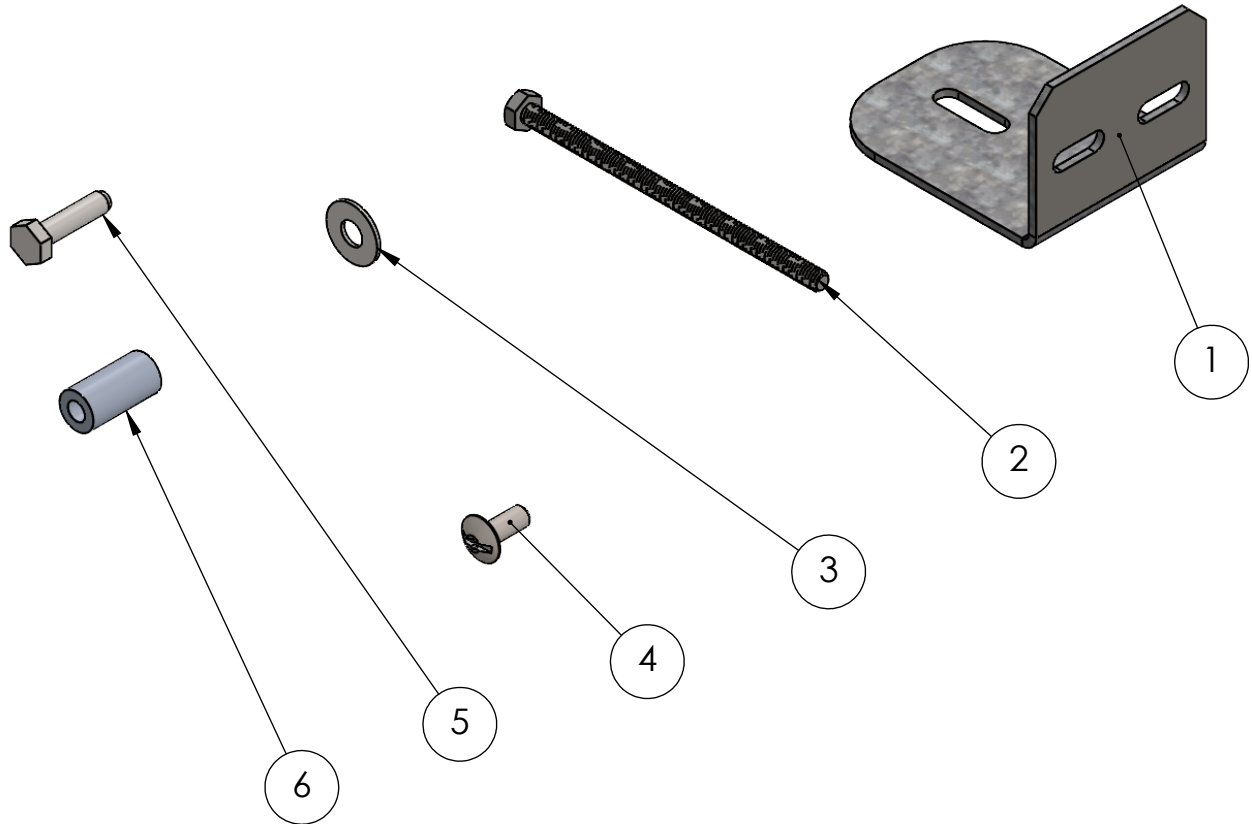


FIU-2020 INSTALL INSTRUCTIONS

For 2020 Ford Police Interceptor Utility (2020 - CURRENT)



HARDWARE PROVIDED



ITEM NO.	PART NUMBER	DESCRIPTION	QTY.
1	4000387	INSTALL BASE, MOUNTING BRACKET, FIU	2
2	1393181	SCREW, HEX HEAD, M6-1MM, 110MM L, CLASS 6G, ZINC, 91287A363	2
3	1089578	WASHER, FLAT, 1/4, 5/16 ID, 3/4 OD, ZINC PLATED	6
4	1084081	SCREW, TRUSS HEAD, 1/4-20, 5/8 LONG, ZINC PLATED, SQUARE DRIVE SLOT	10
5	1051223	BOLT, HH, 1/4"-20 x 1", ZINC PLATED, GR 5	4
6	1393182	SPACER, ROUND, UNTHREADED, 1/2" OD, 1" L, FOR 1/4 " SCREW SIZE, ALUMINUM, 92510A769	2



STEP 1:
REMOVE BOTH THE SECTIONS OF THE TRUNK FLOOR BY REMOVING THE BOLTS AS SHOWN



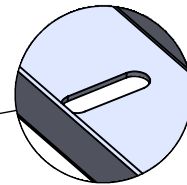
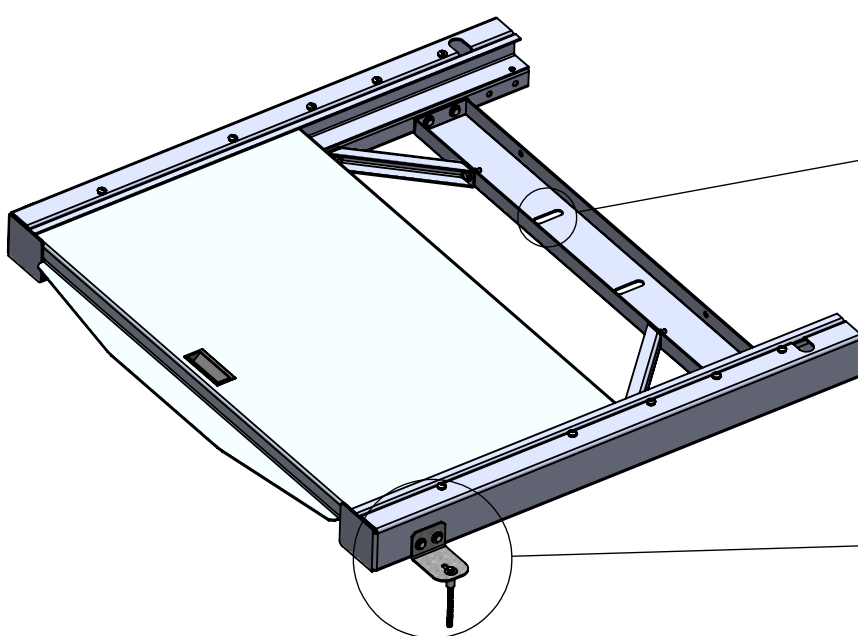
MOUNTING POINTS



STEP 3:

FASTEN THE SIDE BRACKETS ① WITH THE BASE USING THE HARDWARE PROVIDED ③ AND ④.

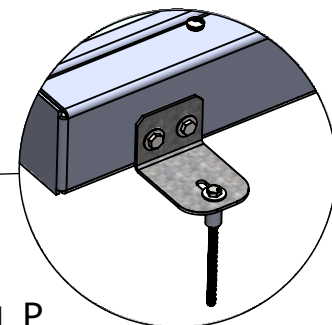
ALIGN THE BASE WITH THE HOLES FROM WHICH THE BOLTS WERE REMOVED IN STEP 1 AND WITH THE SIDE HOLES ON BOTH SIDES OF THE VEHICLE AS SHOWN ABOVE.



DETAIL N

SCALE 1 : 4

USE OEM HARDWARE FROM STEP 1



DETAIL P

SCALE 1 : 6

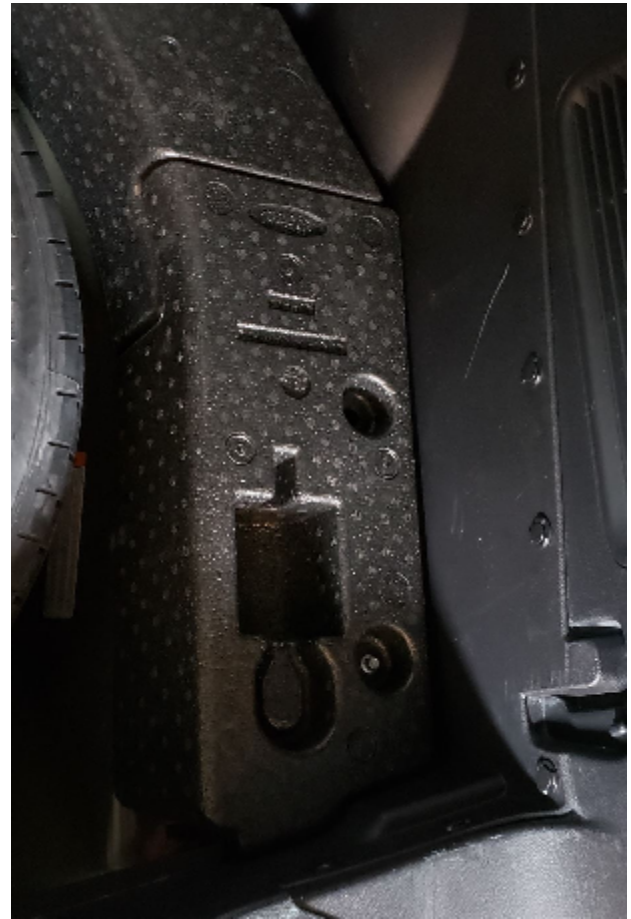
USE PROVIDED HARDWARE ②, ③, ⑥

STEP 4:
USE THE OEM BOLTS (DETAIL-A) FOR
FASTENING THE BASE.

(DETAIL-A)



(DETAIL-B)



STEP 5:
REMOVE THE OEM BOLTS (DETAIL-B) AND
USE THE HARDWARE PROVIDED ②, ③, AND
⑥

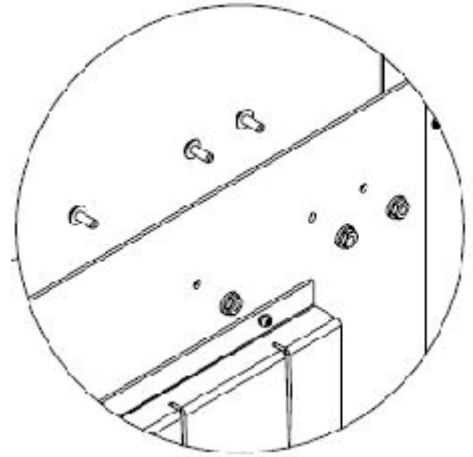
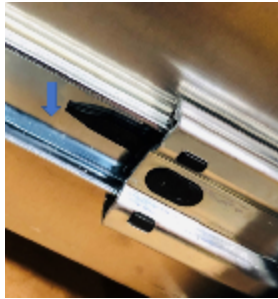
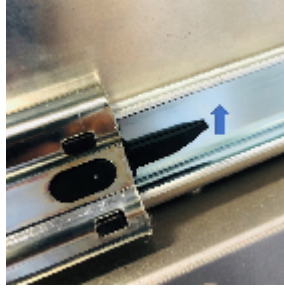
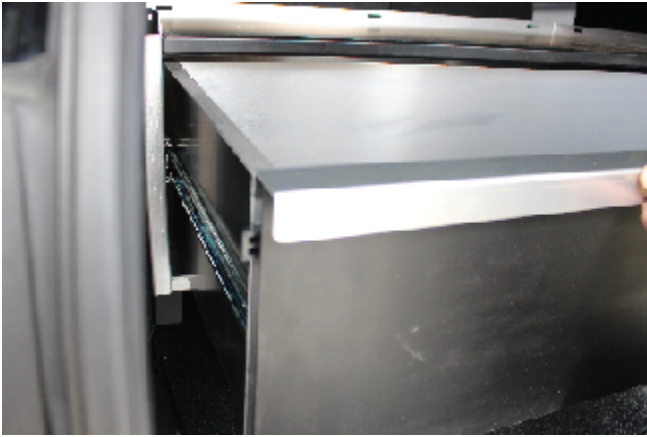


ONCE THE BASE IS FIXED, THE CABINET HAS TO BE SECURED TO THE BASE.

STEP 6:

REMOVE THE BOTTOM DRAWER FROM OPS CABINET BY OPENING IT TO FULL EXTENSION AND PUSHING THE PLASTIC TABS IN OPPOSITE DIRECTIONS LOCATED ON SLIDES ON BOTH SIDES OF THE DRAWER WHILE PULLING THE DRAWER STRAIGHT OUT.

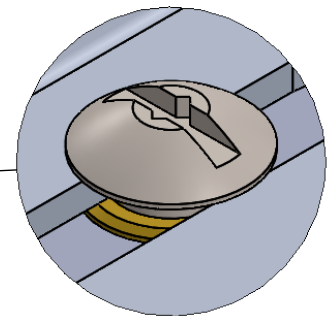
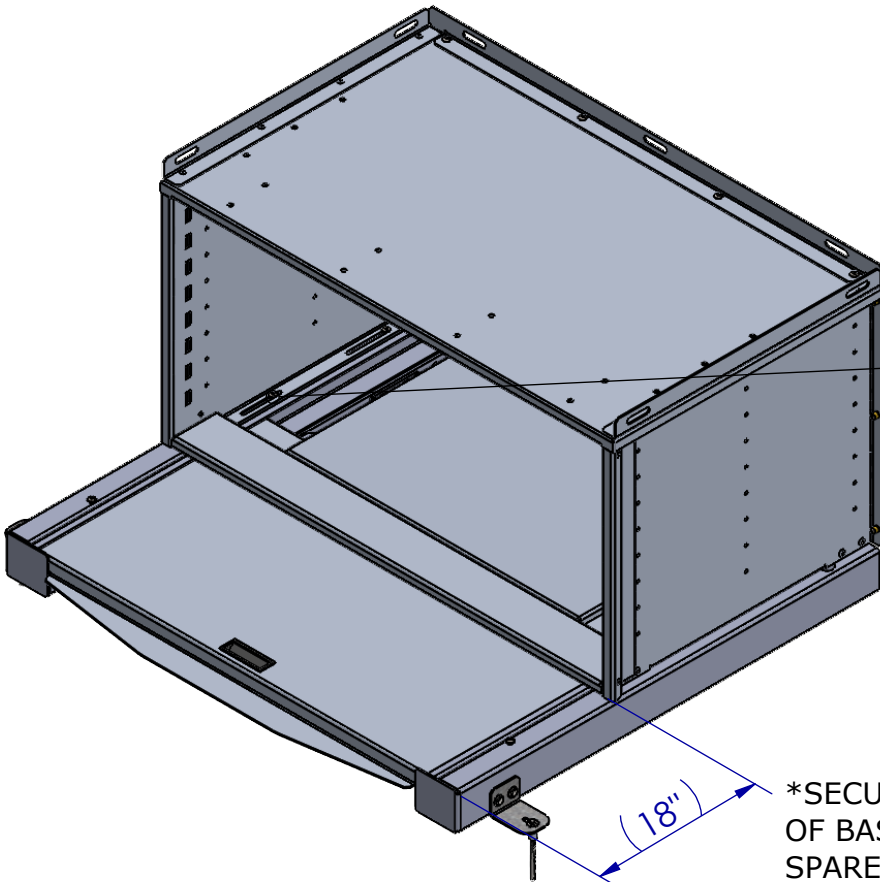
FOR DRAWERS THAT ARE FASTENED BY NUTS, FIRSTLY PULL OUT THE DRAWER THEN SIMPLY UNFASTEN THE NUTS AND REMOVE THE BOLTS ON BOTH SIDES OF THE DRAWER.



(SLIDES THAT USES NUT AND BOLT FASTENERS)

STEP 7:

PLACE THE CABINET ON THE BASE AND ALIGN THE SLOTS OF THE CABINET WITH THE HOLES OF THE RIV NUT ON THE BASE ON ALL THE FOUR CORNERS.



DETAIL M
SCALE 2 : 1

*SECURE AT LEAST 18" FROM THE FRONT OF BASE TO HAVE ENOUGH SPACE FOR SPARE TIRE ACCESS

STEP 8:

FASTEN THE 4 CORNERS OF THE CABINET TO THE BASE USING THE HARDWARE PROVIDED ⑥.



STEP 9:

PLACE THE DRAWER INTO CABINET BY ALIGNING THE SLIDES ON EACH SIDE AND PUSHING THE DRAWER STRAIGHT IN UNTIL FULLY CLOSED. **DO NOT FORCE.**

THE INSTALLATION IS NOW COMPLETE.

NOTE: IF DEEMED NECESSARY, YOU CAN APPLY WHITE GREASE ON THE SLIDING SURFACES OF THE DOOR.

