

NOTES:

- ALUMINUM CONSTRUCTION
- CARGO BED 34.5"WX65"D
- PLYWOOD BASE FRAME
- TUXEDO BLACK TEXTURE ON

FRONT DRAWER UNIT:

- KEY LOCK
- 2X FRONT-TO-BACK DIVIDER
- 500LBS DRAWER SLIDES

BOTTOM MIDDLE DRAWER:

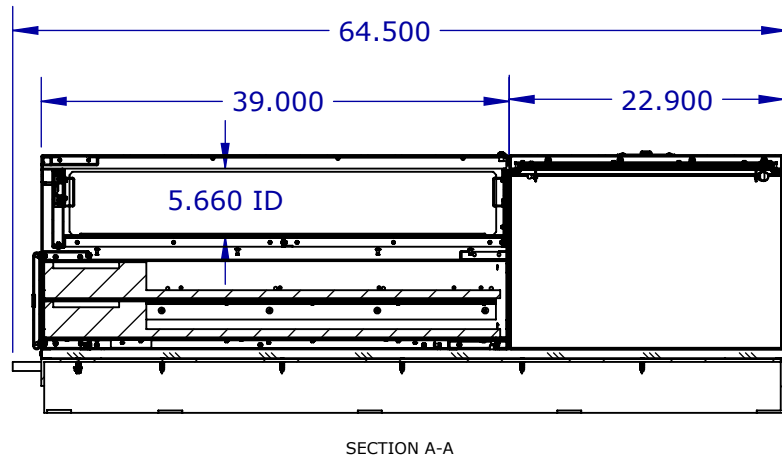
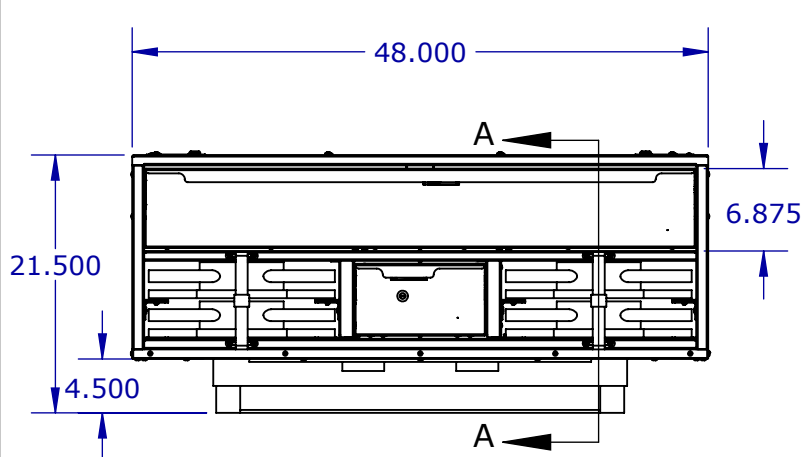
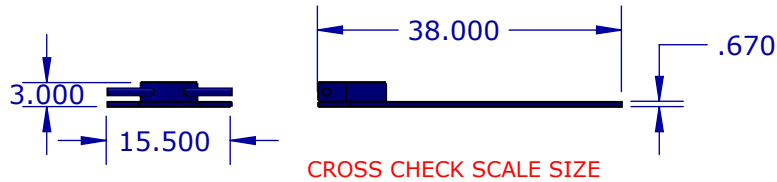
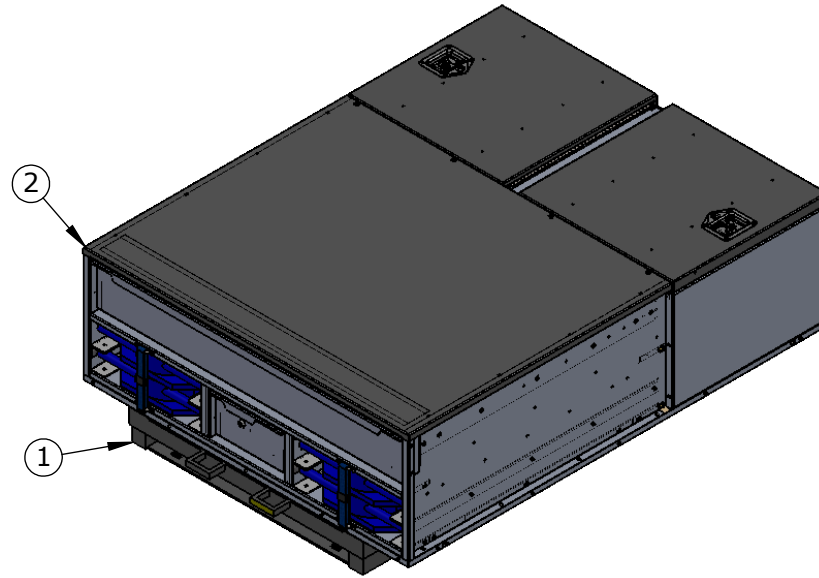
- KEY LOCK
- 500LBS DRAWER SLIDES

SCALE COMPARTMENTS

- DESIGNED FOR 4X HENNI 101 SCALES

2X REAR STORAGE UNITS:

- FLIP-UP DOORS
- 1X GAS SPRING



ITEM NO.	PART NUMBER	DESCRIPTION	Default/QTY.	Revision
1	OPS MAXX SLIDE SERIES 34.5 x 65	CARGOBED 34.5"WX65"D Full Extension	1	
2	1255324	TDU ROLL-OUT	1	C1

VEHICLE: FORD F-150
5.5' BED
CROSS CHECK SIZE

DISCLAIMER: By signing and dating this document, I agree that all specifications, notes and dimensions are clear, correct and in accordance with intended product use, content fit and function and product envelope fit and function. I understand this agreement to be binding and accept that any future change requests will be charged as additional work and managed through revision of this document.

Signature: _____ Date: _____



PH:(630)994-3300
FAX:(613)546.5489

DESCRIPTION
CVE

PART NO.
TDU-21.54860-700

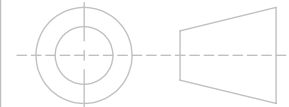
	NAME	DATE
DRAWN	JB	09/13/18
CHECKED	-	-
NOT RELEASED		

PROPERTIES

MATERIAL: N/A
THICKNESS: N/A
FINISH
WEIGHT: 644.088 LB

TOLERANCES UNLESS OTHERWISE SPECIFIED:

X.X ± 0.025
X.XX ± 0.010
X.XXX ± 0.005



DO NOT SCALE DRAWING

PROPRIETARY AND CONFIDENTIAL

THE INFORMATION CONTAINED IN THIS DRAWING IS THE SOLE PROPERTY OF EZSTAK LLC. ANY REPRODUCTION IN PART OR AS A WHOLE WITHOUT THE WRITTEN PERMISSION OF EZSTAK LLC IS PROHIBITED.

SIZE **A** REV **C2**

SCALE: 1:16 SHEET 1 OF 2

UNIT: IPS

Deburr All Edges



PH:(613)530.3419
FAX:(613)546.5489

DESCRIPTION

CVE

PART NO.

TDU-21.54860-700

	NAME	DATE
DRAWN	JB	09/13/18
CHECKED	-	-
NOT RELEASED		

PROPERTIES

MATERIAL: N/A

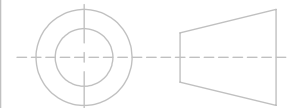
THICKNESS: N/A

FINISH

WEIGHT: 644.088 LB

TOLERANCES UNLESS OTHERWISE SPECIFIED:

X.X ± 0.025
 X.XX ± 0.010
 X.XXX ± 0.005



DO NOT SCALE DRAWING

PROPRIETARY AND CONFIDENTIAL

THE INFORMATION CONTAINED IN THIS DRAWING IS THE SOLE PROPERTY OF EZSTAK LLC. ANY REPRODUCTION IN PART OR AS A WHOLE WITHOUT THE WRITTEN PERMISSION OF EZSTAK LLC IS PROHIBITED.

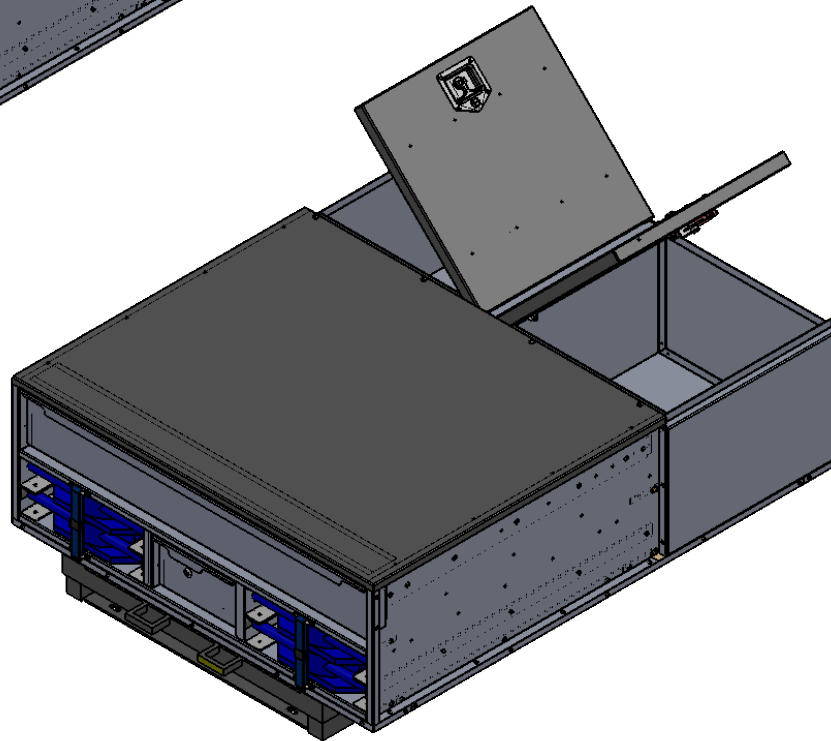
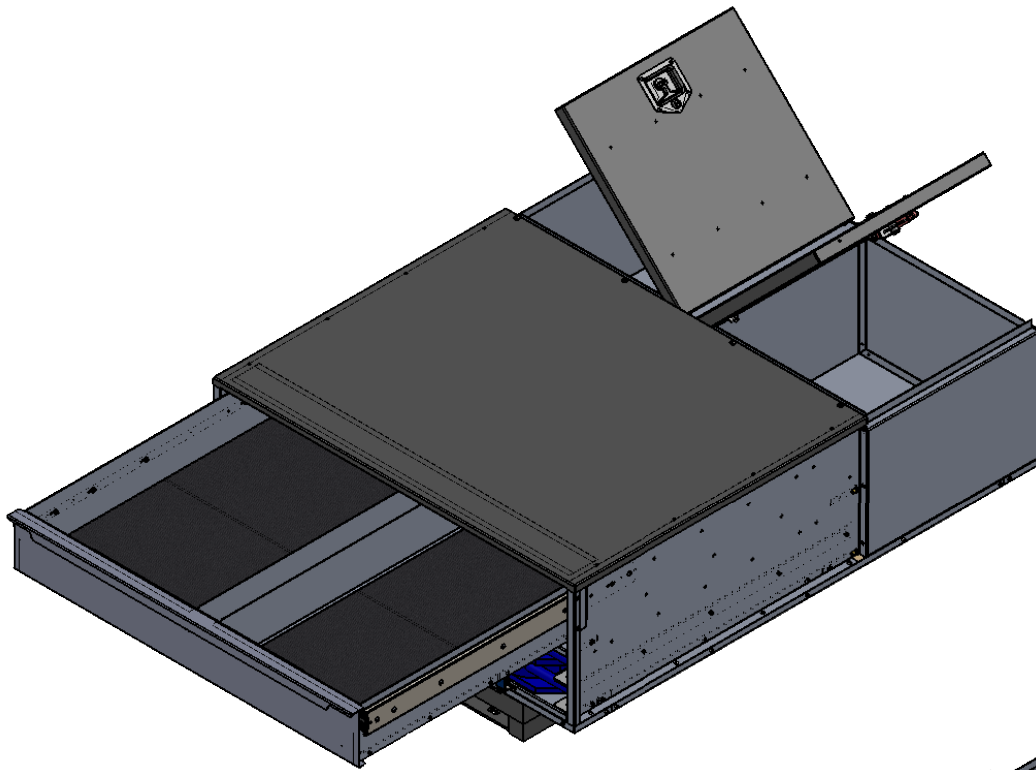
SIZE
A

REV
C2

SCALE: 1:18 SHEET 2 OF 2

UNIT: IPS

Deburr All Edges



DISCLAIMER: By signing and dating this document, I agree that all specifications, notes and dimensions are clear, correct and in accordance with intended product use, content fit and function and product envelope fit and function. I understand this agreement to be binding and accept that any future change requests will be charged as additional work and managed through revision of this document.

Signature: _____

Date: _____