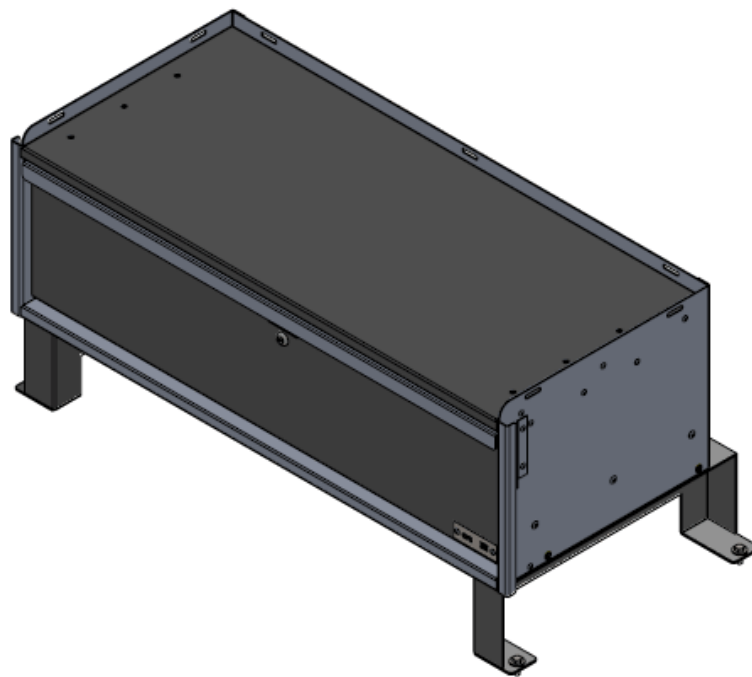


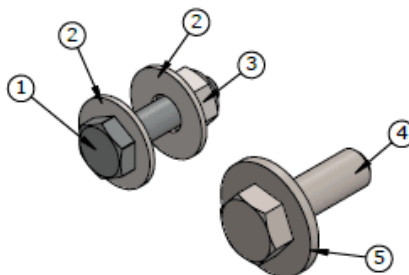


INSTALLATION INSTRUCTIONS

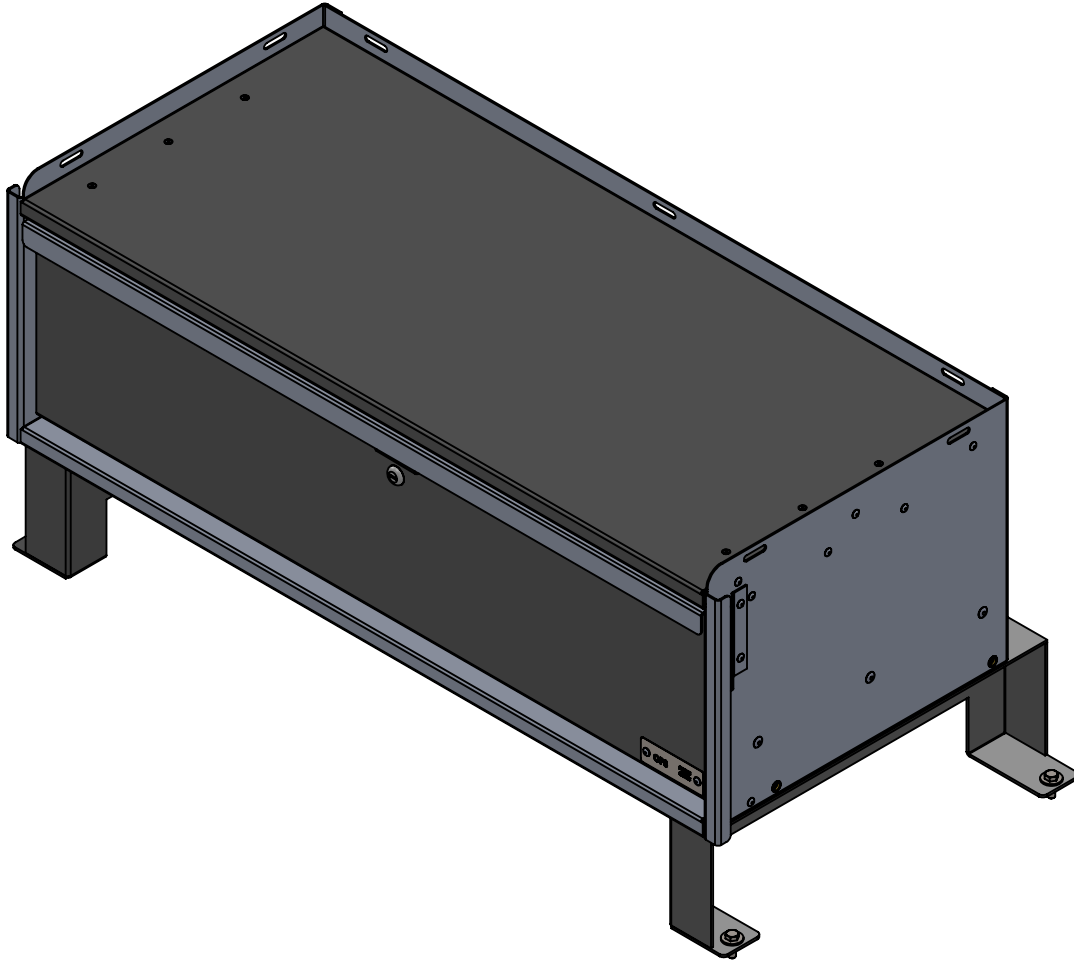
PDU-CTU-12



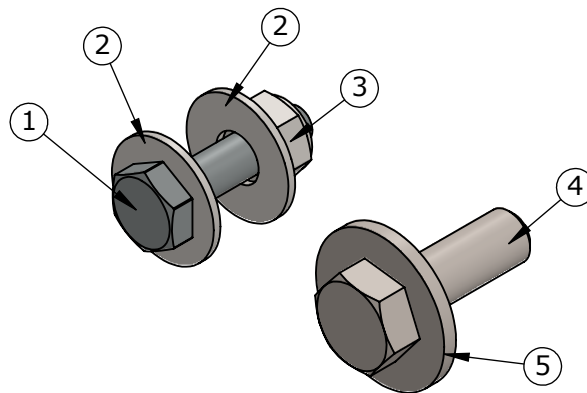
HARDWARE PROVIDED



PDU-CTU-6,12 INSTALL INSTRUCTIONS



HARDWARE PROVIDED



ITEM NO.	PART NUMBER	DESCRIPTION	QTY.
1	1051223	BOLT, HEX HEAD, 1/4"-20, 1" LONG, ZN PLACED, GRADE 5 CAP	4
2	1089578	WASHER, FLAT, 1/4" DIA, 3/4" OD, ZN PLATED STEEL	8
3	1000094	NUT, NYLOX, 1/4-20, ZINC PLATED STEEL	4
4	1112093	BOLT HEX HEAD - M8 x 1.25 x 25mm	4
5	1112092	WASHER - M8 SCREW - 8.4mm ID - 24mm OD	4



STEP 1:
FLIP UP THE 2ND ROW SEATS AND CAREFULLY ROLL BACK THE OEM MATTING. PLACE THE BRACKETS IN THE CORRECT ORIENTATION OVER THEIR CORRESPONDING MOUNTING HOLES ENSURING THE BRACKETS ARE PARALLEL.



STEP 2:
CLEAR THE MOUNTING HOLES OF ANY DEBRIS OR COVERINGS. THREAD THE BOLTS THROUGH EACH OF THE HOLES TO ENSURE THEY ARE CLEAR.

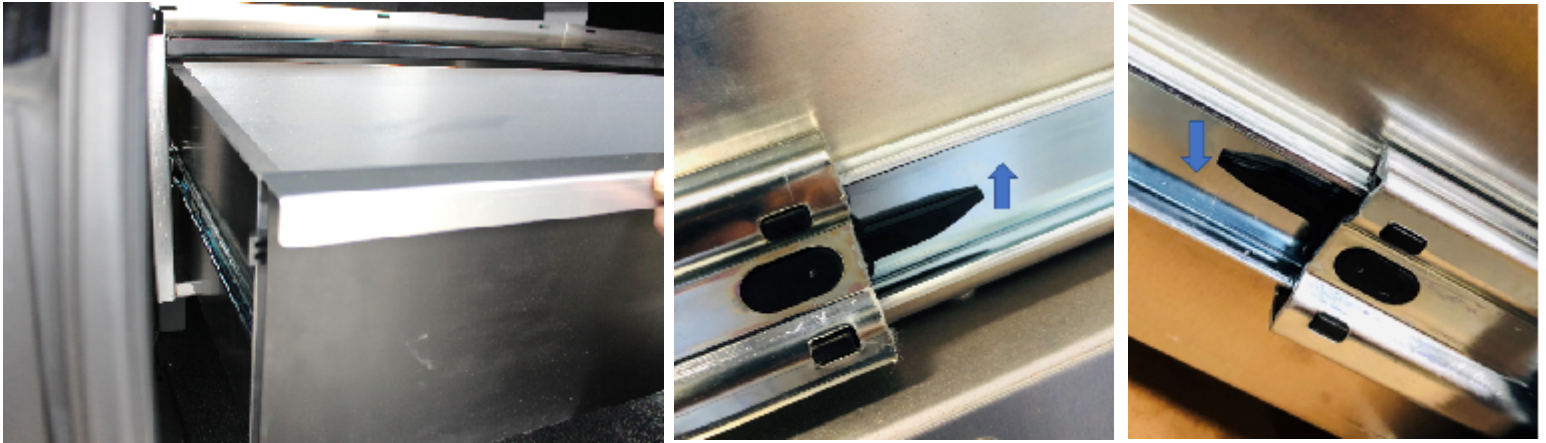
STEP 3:
PLACE THE BRACKETS OVER THEIR CORRESPONDING MOUNTING POINTS AND BOLT THEM IN PLACE USING THE HARDWARE PROVIDED (4) AND (5).

STEP 4:

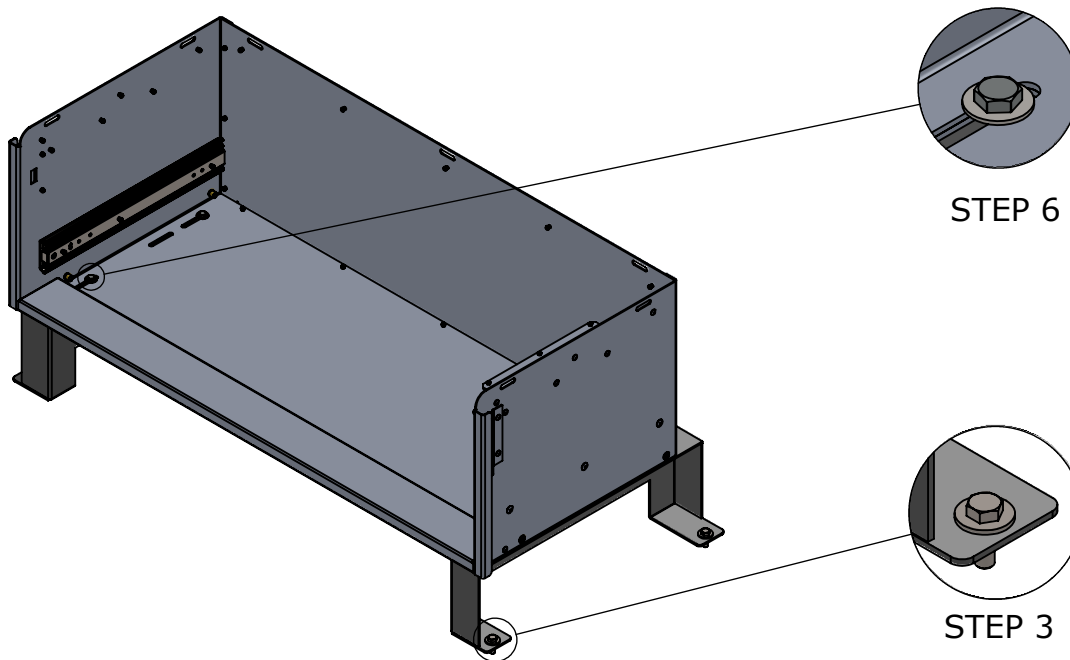
FOLD BACK THE OEM MATTING OVER THE BRACKETS, USING A UTILITY KNIFE CUT A SLIT IN THE MAT TO FIT IT OVER THE BRACKETS. USE THE KNIFE TO TRIM AND CUT TO FIT.

STEP 5:

REMOVE THE BOTTOM DRAWER BY OPENING IT TO FULL EXTENSION AND PUSHING THE PLASTIC TABS IN OPPOSITE DIRECTIONS LOCATED ON SLIDES ON BOTH SIDES OF THE DRAWER WHILE PULLING THE DRAWER STRAIGHT OUT.

**STEP 6:**

PLACE THE CABINET ONTO THE BRACKETS AND ALIGN THE SLOTS OF THE CABINET WITH THE SLOTS OF THE BRACKETS UNDERNEATH ACCORDING TO YOUR NEEDS AND FIX THE CABINET USING THE HARDWARE PROVIDED (1), (2) AND (3).

**STEP 7:**

PLACE THE DRAWER BACK INTO CABINET BY ALIGNING THE SLIDES ON EACH SIDE AND PUSHING THE DRAWER STRAIGHT IN UNTIL FULLY CLOSED. DO NOT FORCE.

THE INSTALLATION IS NOW COMPLETE.